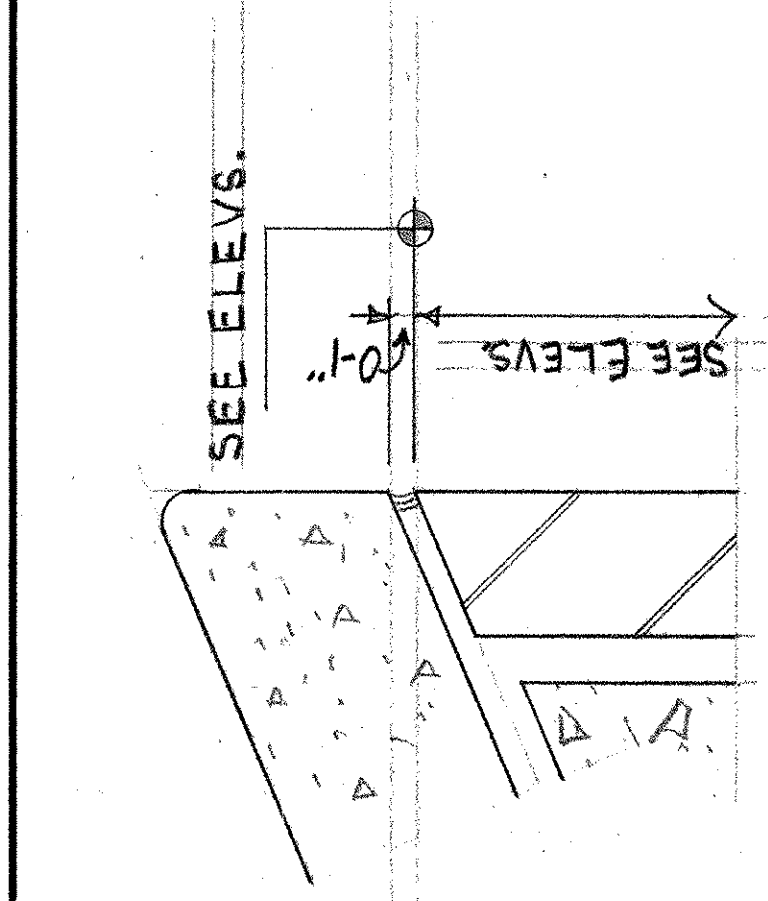
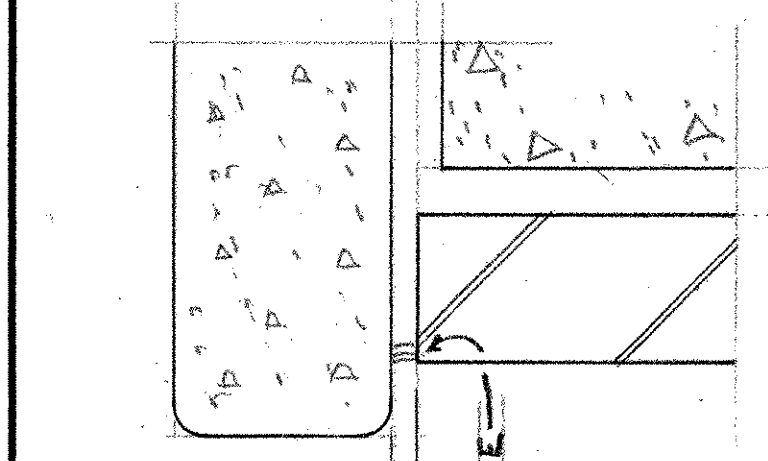


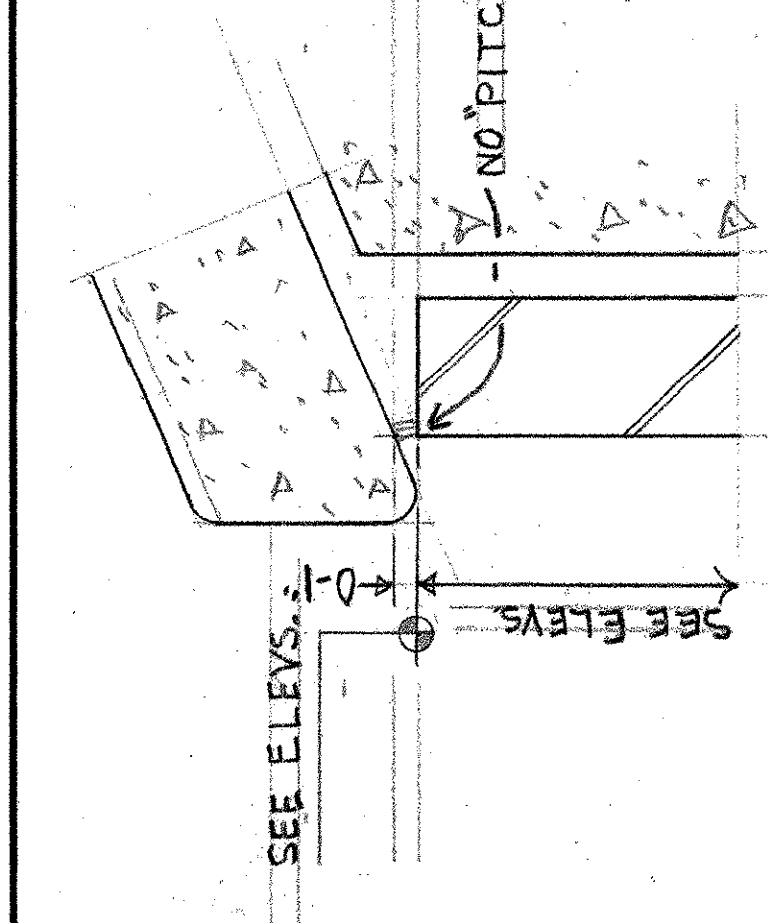
④ DETAIL 1/2"



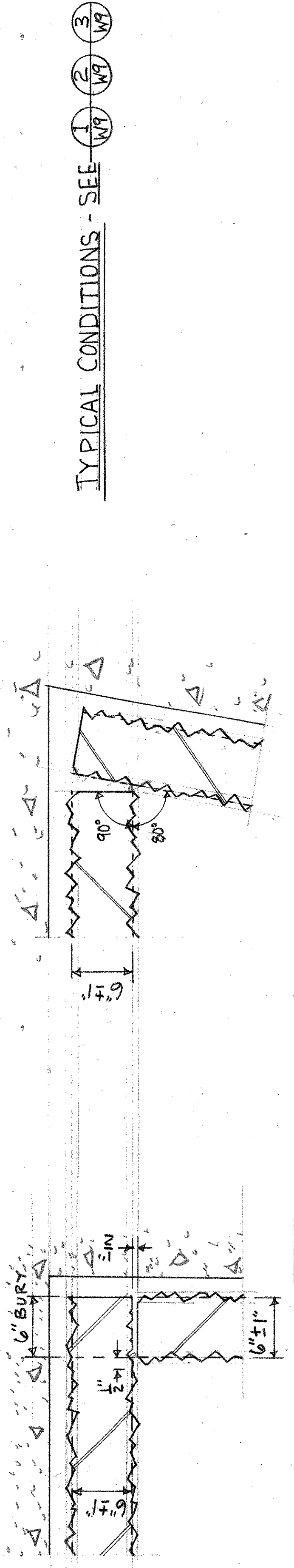
③ DETAIL



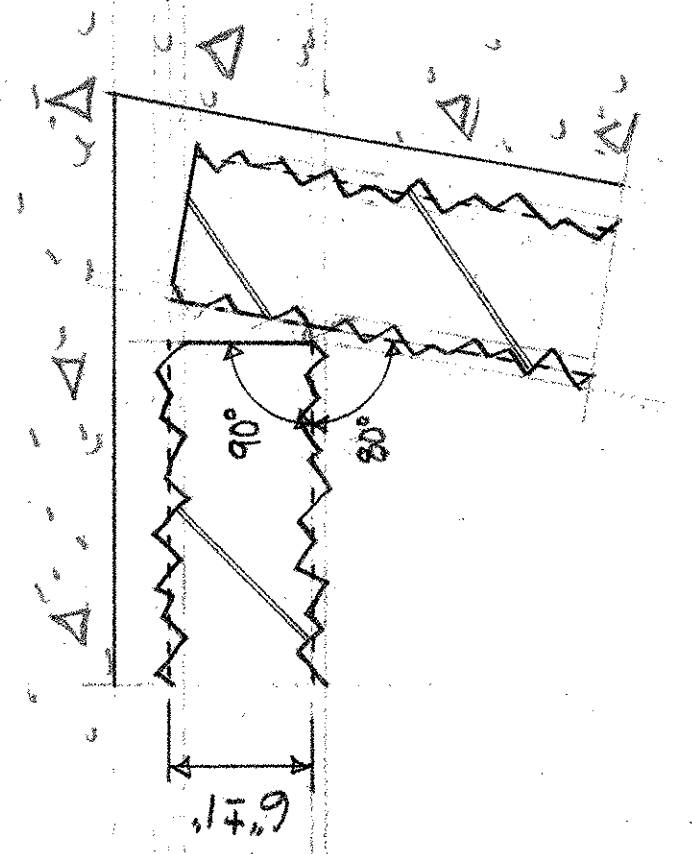
② DETAIL



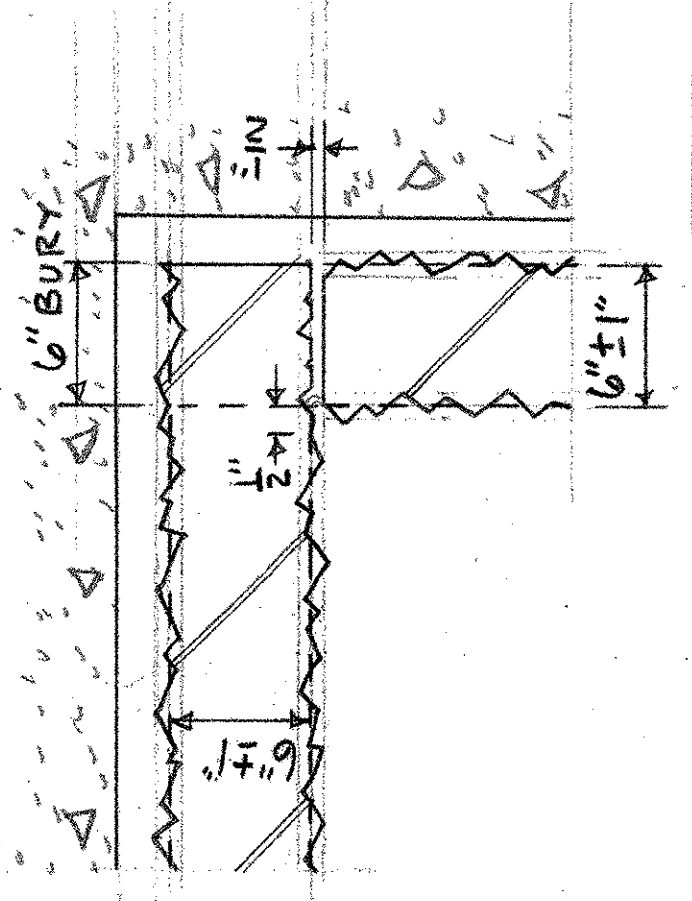
① DETAIL



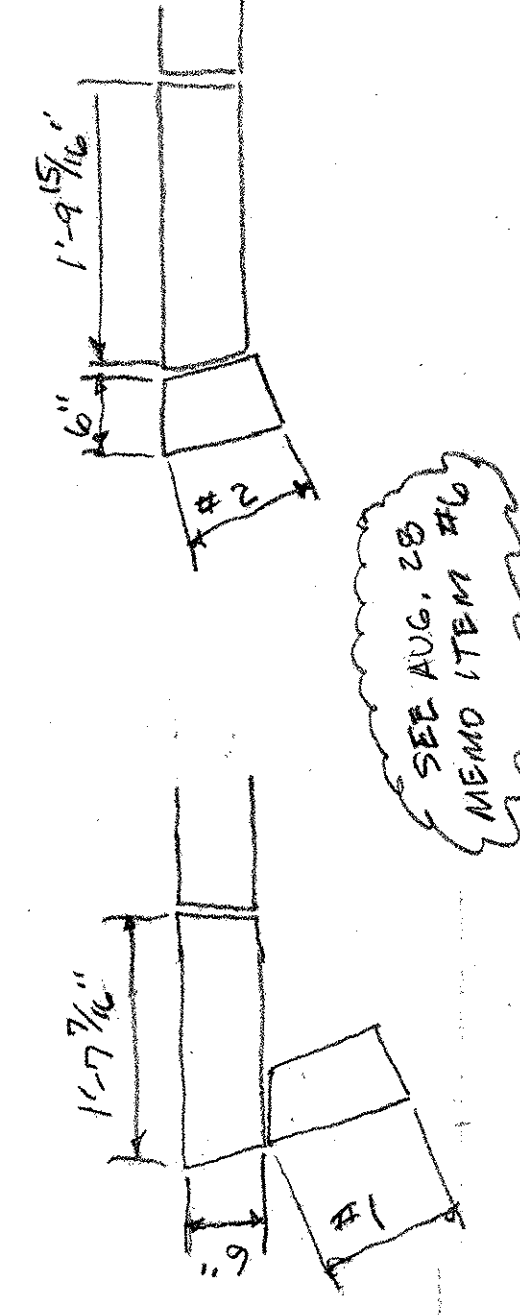
TYPICAL CONDITIONS - SEE ① ② ③ ④



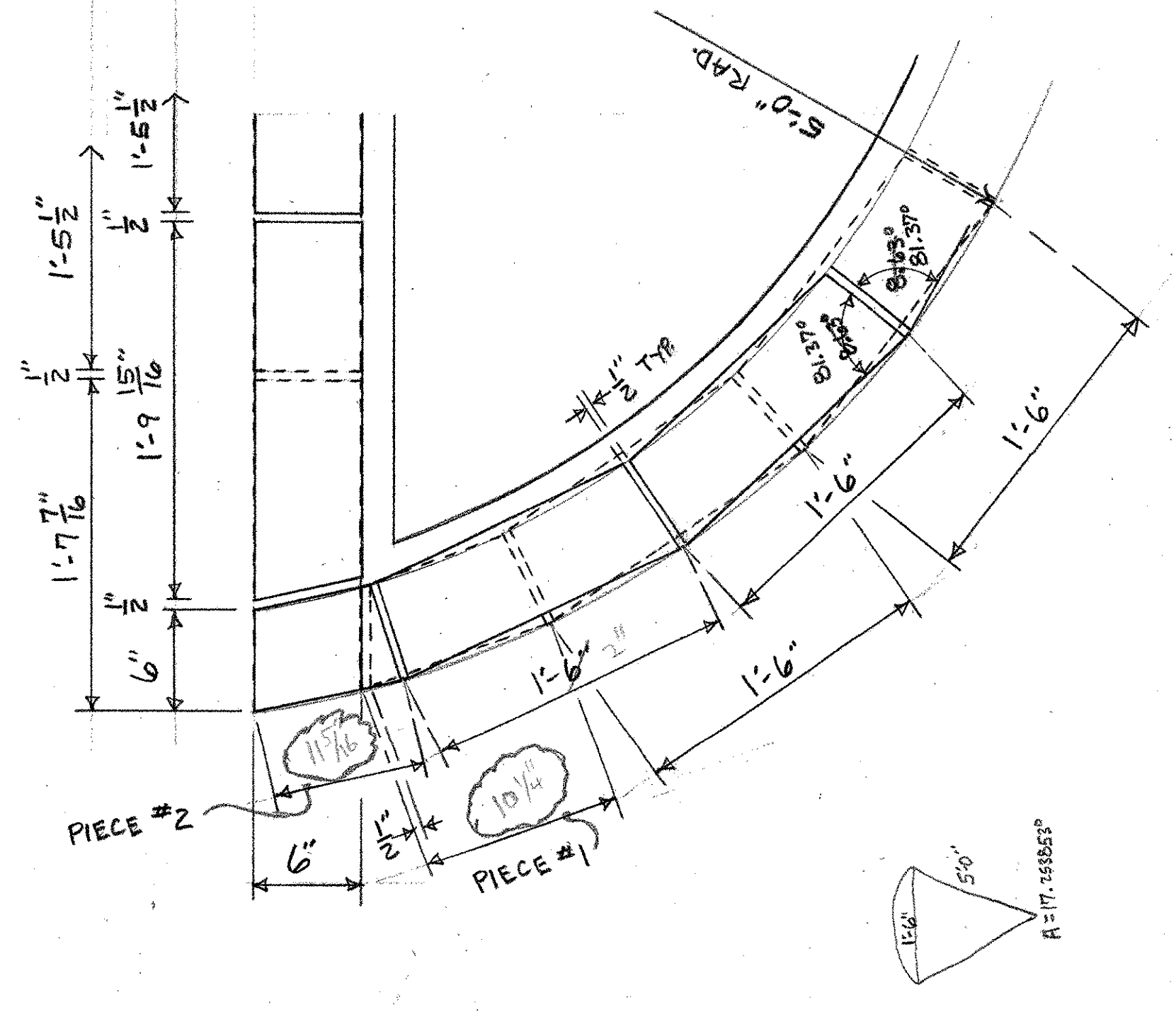
⑨ DETAIL



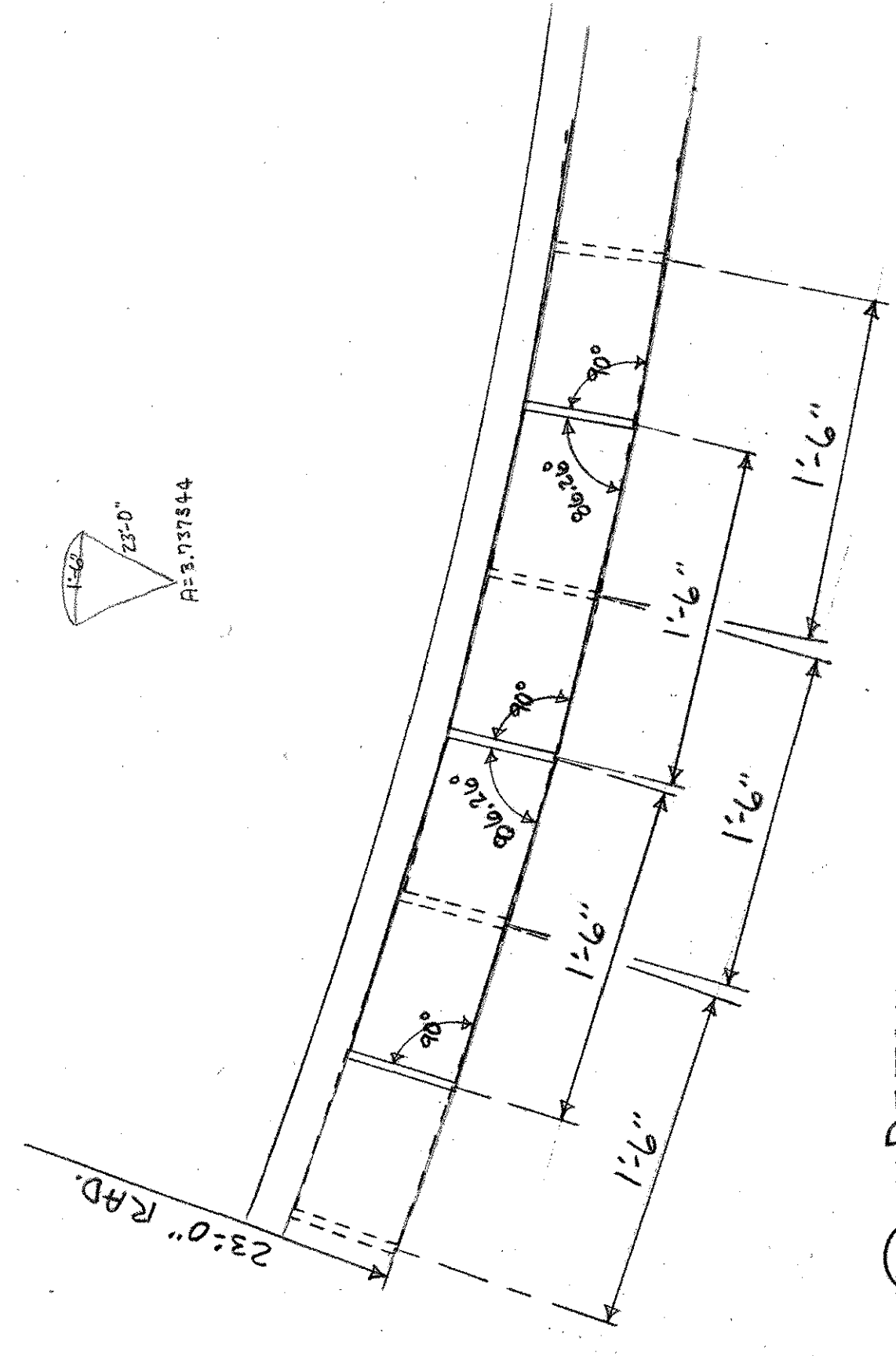
⑧ DETAIL



⑰ DETAIL



⑱ DETAIL



⑰ DETAIL

NOTE: This drawing is for informational purposes only. It is not intended to be used for construction. Prior to manufacture of any stone coping, the contractor shall verify the conditions of the existing structure and existing conditions. No stone will be scheduled by our customer that our drawing does not show. We assume no responsibility for any conditions that are not shown on this drawing. We assume no responsibility for any conditions that are not shown on this drawing. We assume no responsibility for any conditions that are not shown on this drawing. We assume no responsibility for any conditions that are not shown on this drawing.