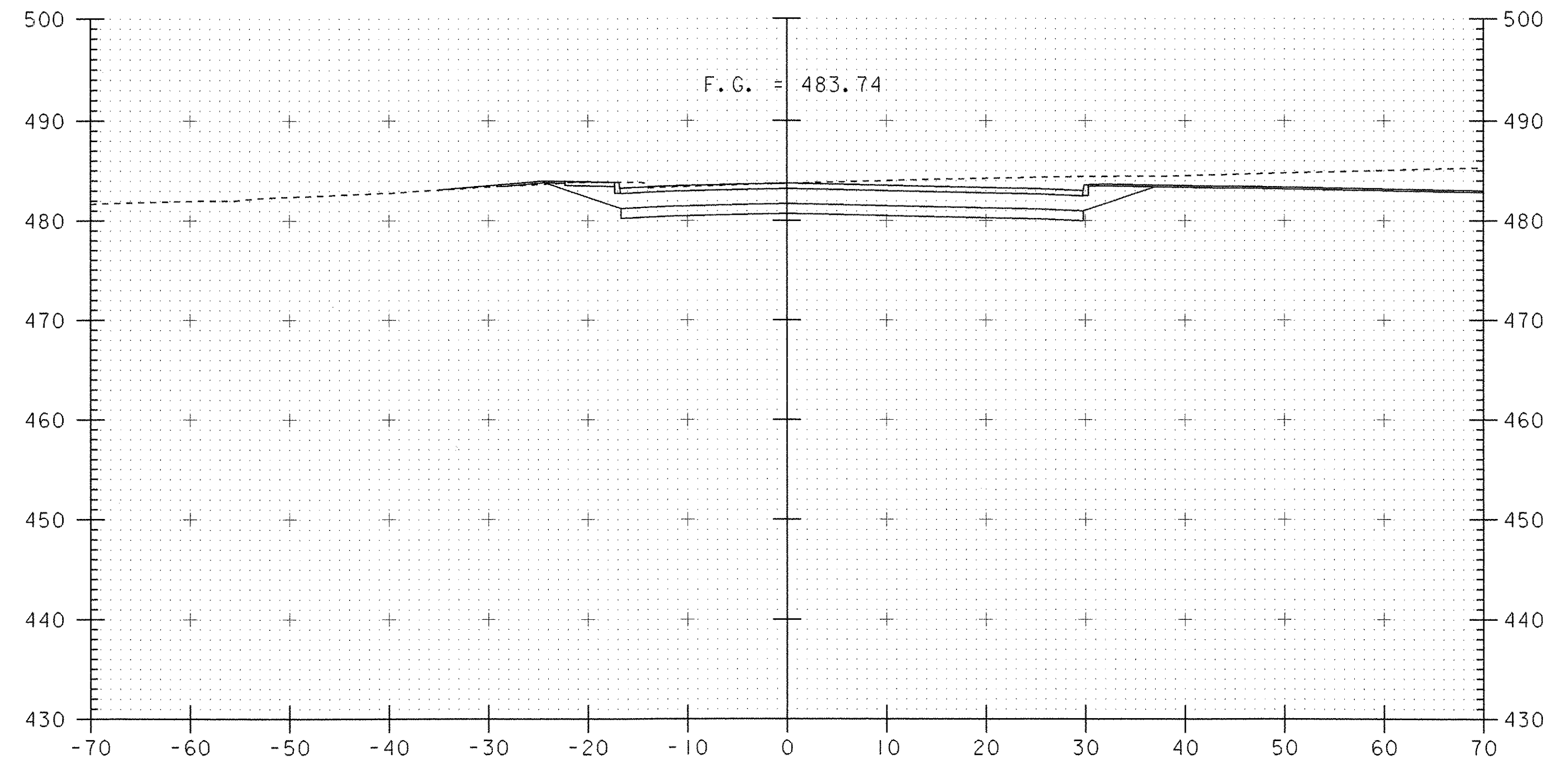


STATION 108+55 LT
 BEGIN NEW 18" OPTION PIPE
 CONSTRUCT NEW 4' X 4' CONC. DI

108+55

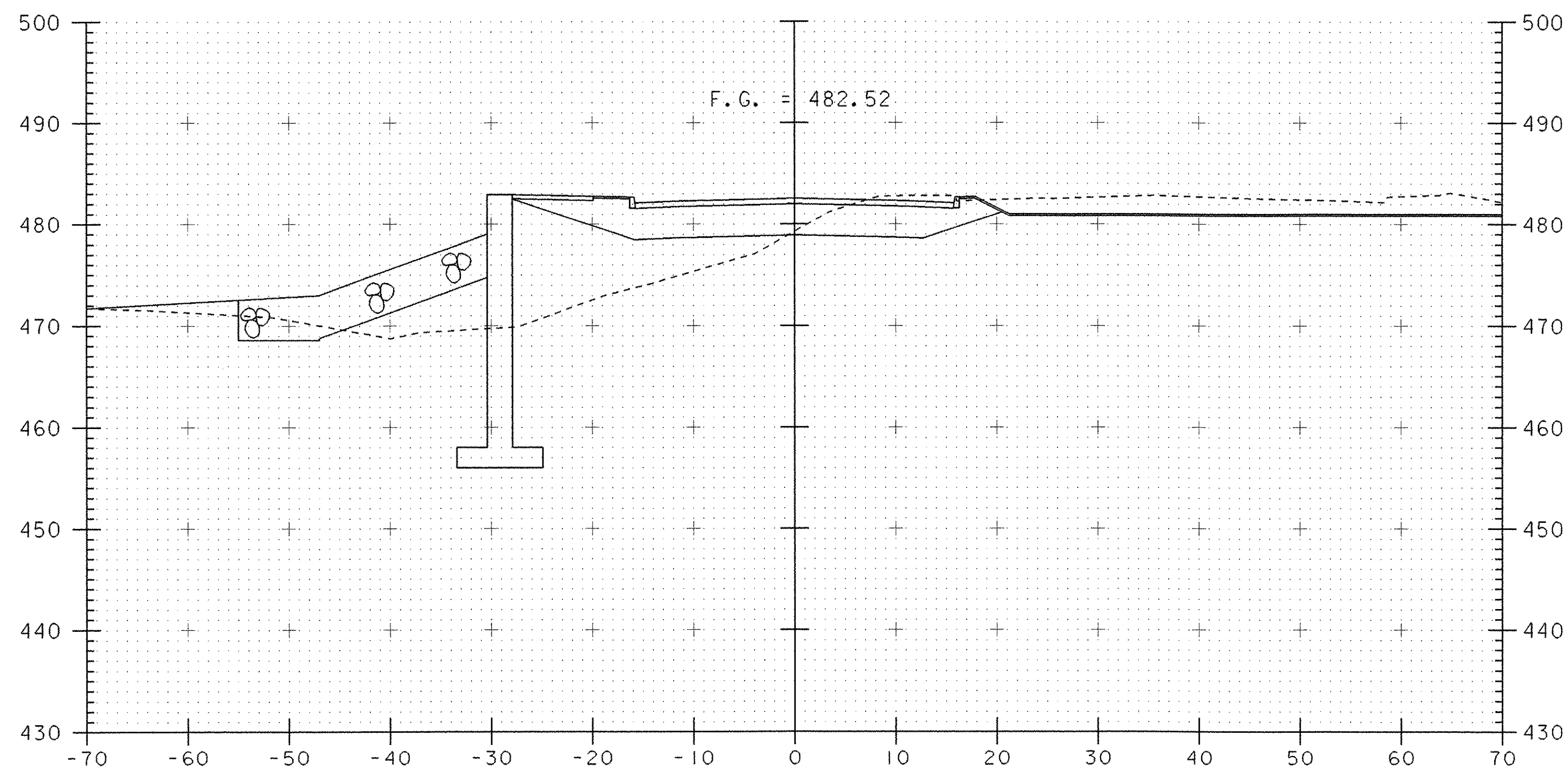
STATION 108+55 RT
 END NEW 18" OPTION PIPE / BEGIN NEW 18" OPTION PIPE
 CONSTRUCT NEW 4' X 4' CONC. DI



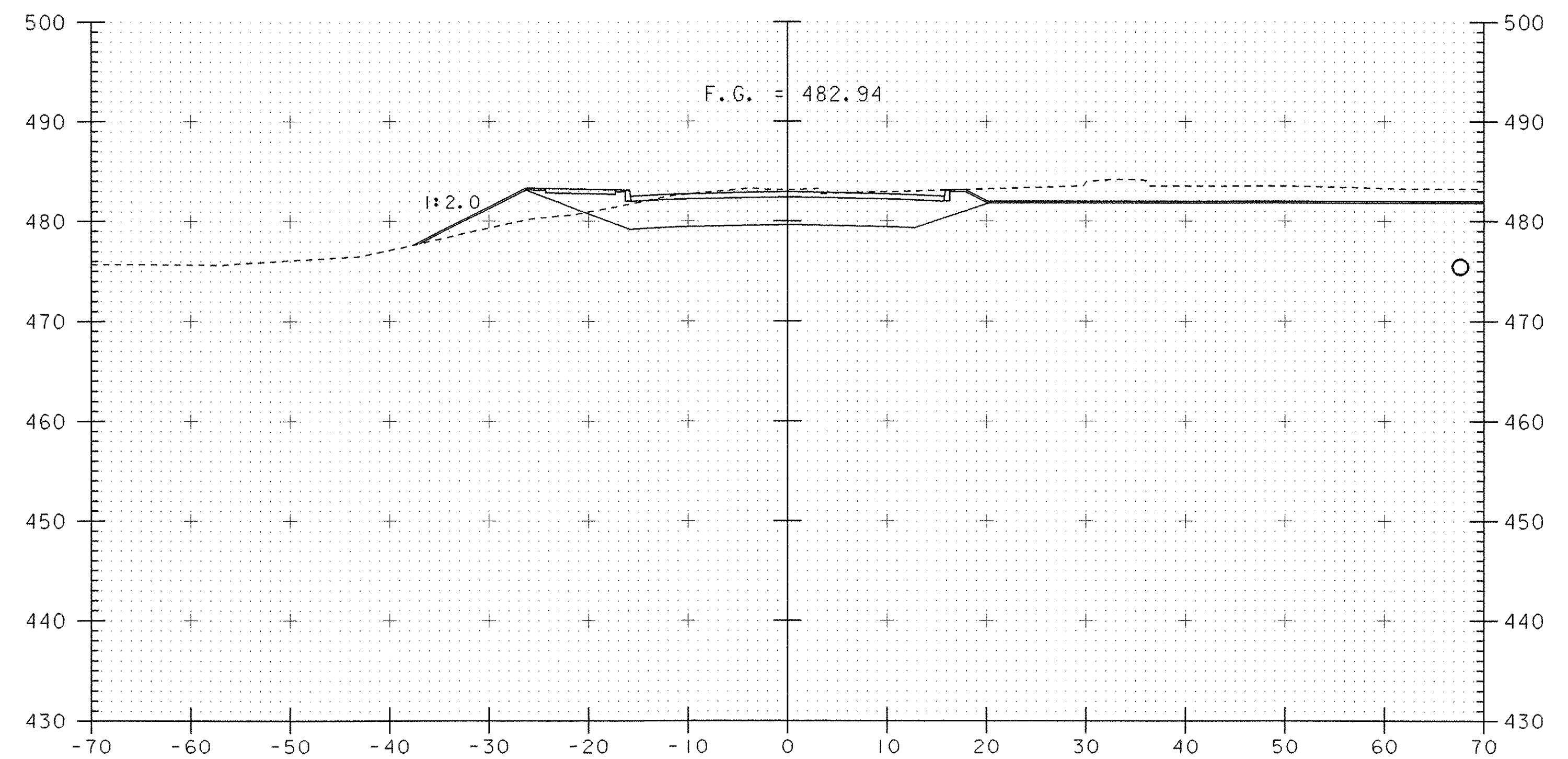
STA 108+80
 END GRANULAR BORROW
 END SUBBASE TAPER
 BEGIN SAND BORROW FULL DEPTH

109+00

STA 109+00
 TRANSITION SUBBASE FROM PROPOSED TYPICAL TO EXISTING
 CONDITION IN 25' (6" MIN)
 END SAND BORROW BOX CUT SAND TO FULL DEPTH



108+50



108+75

STA 108+55
 LINEAR TRANSITION GRASS STRIP FROM 4'-0" TO 0' @ STA 108+80

SCALE 1" = 10'-0"

PROJECT: ROYALTON	PROJECT NO.: BRZ 1444(22)
DESIGN FILE NAME: 89j099/structures/sj099mx.dgn	PLOT DATE: 25-SEP-2000
IPARM FILE NAME: sj099m09.i	MAINLINE CROSS SECTIONS 108+50 TO 109+00
SHEET: 103 OF 118	