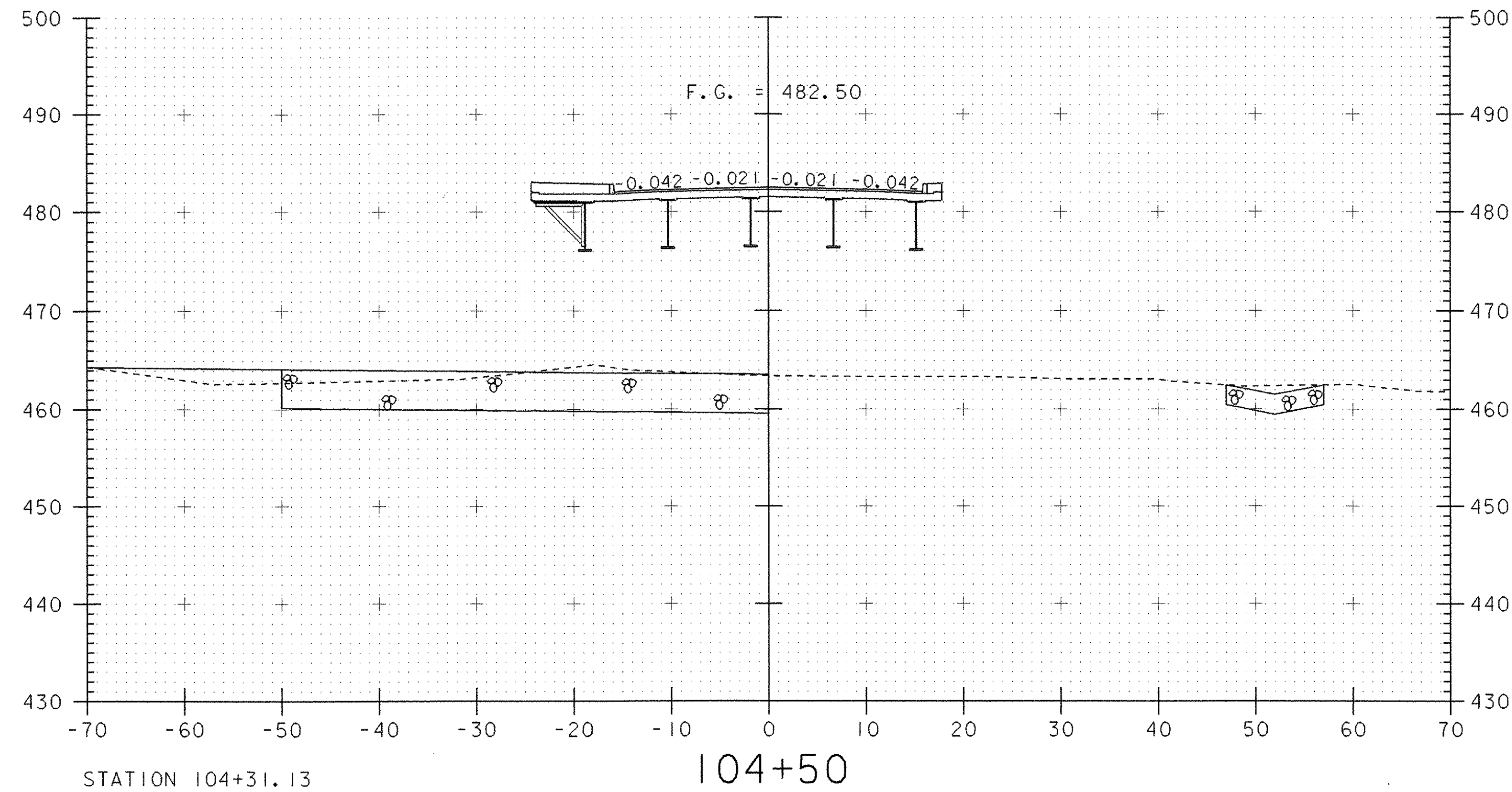
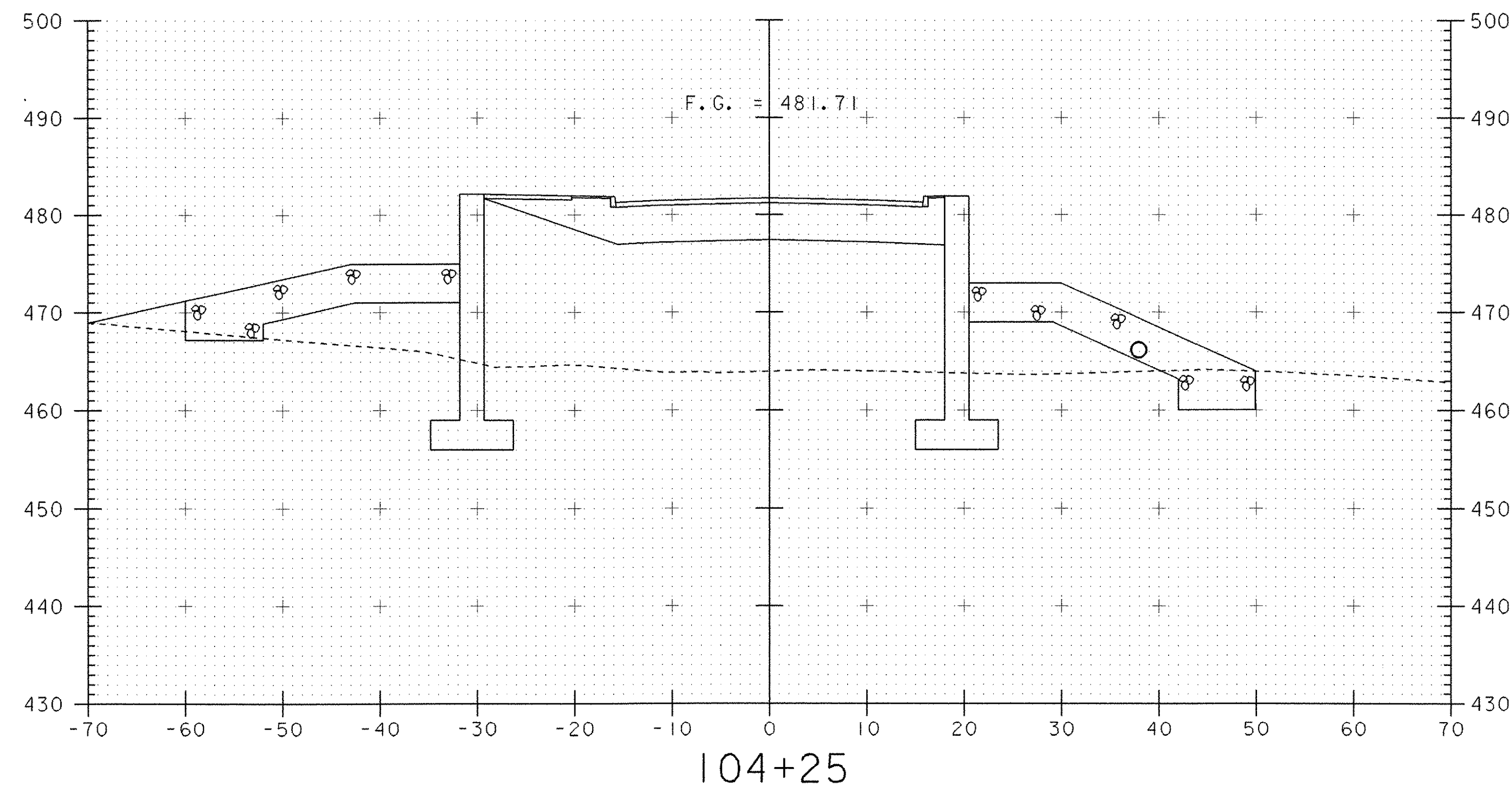
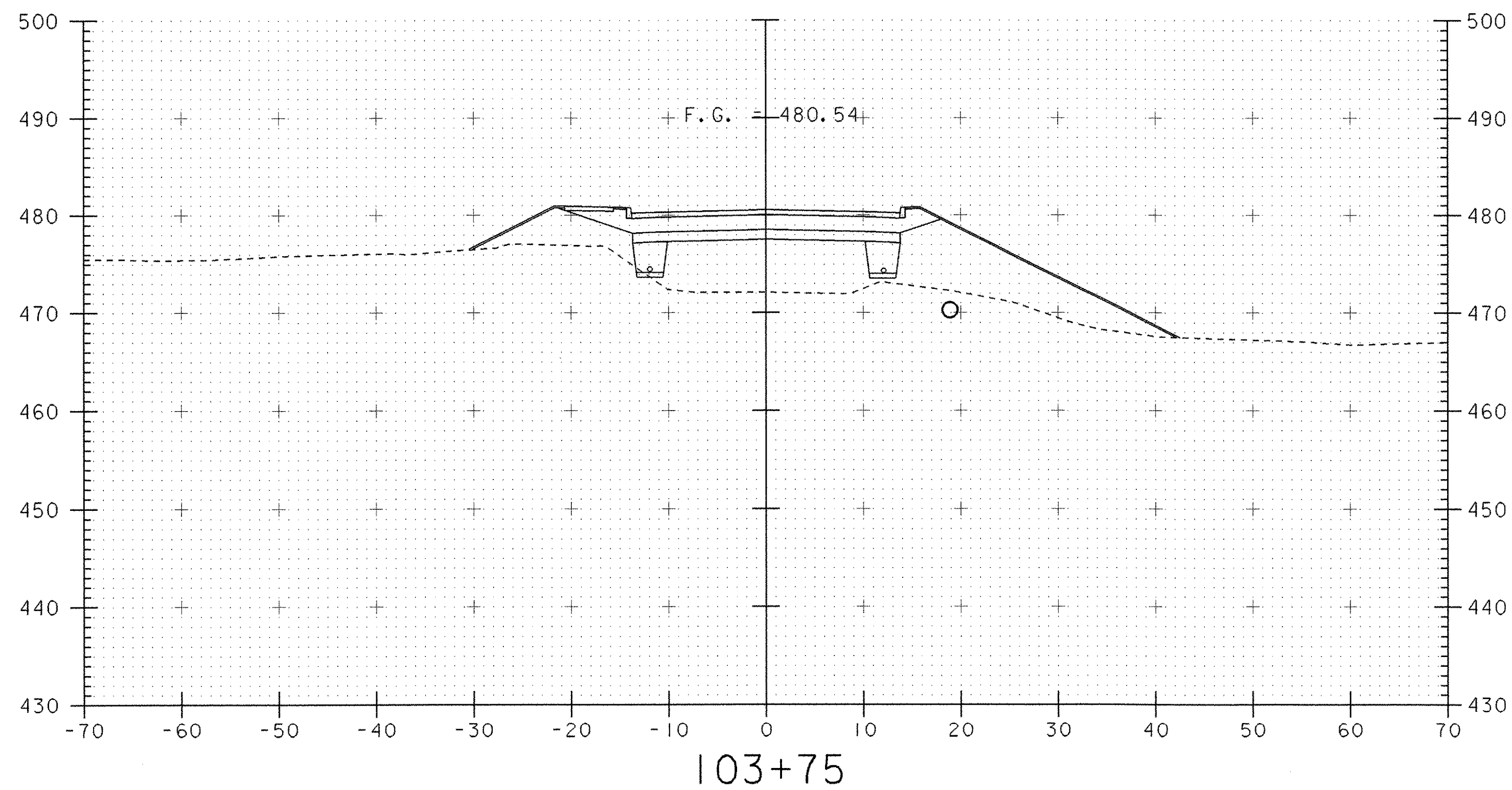


STATION 103+80  
 BEGIN GRANULAR BORROW  
 BEGIN SUBBASE TAPER TO 4'-0" IN 50'  
 END SAND BORROW FULL DEPTH



STATION 104+31.13  
 BEGIN BRIDGE  
 STATION 104+30 40' RT  
 OUTLET 24" OPTION PIPE @ ELEV. 465.00



SCALE 1" = 10'-0"

|  |                              |
|--|------------------------------|
| PROJECT:<br>ROYALTON                             | PROJECT NO.:<br>BRZ 1444(22) |
| DESIGN FILE NAME: 89j099/structures/sj099mix.dgn | PLOT DATE: 25-SEP-2000       |
| IPARM FILE NAME: sj099m06.i                      |                              |
| MAINLINE CROSS SECTIONS 103+75 TO 104+50         |                              |
| SHEET: 100 OF 118                                |                              |