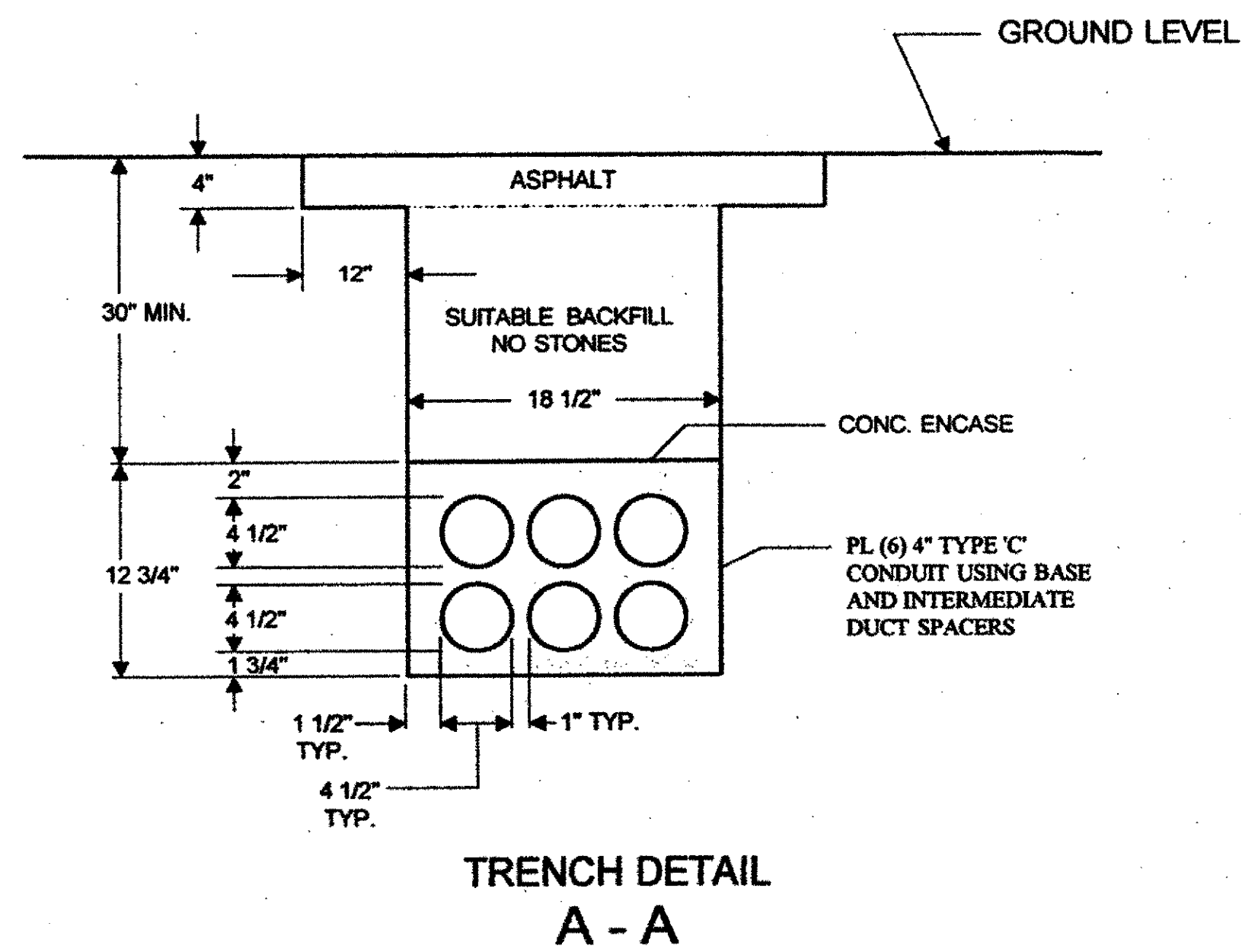
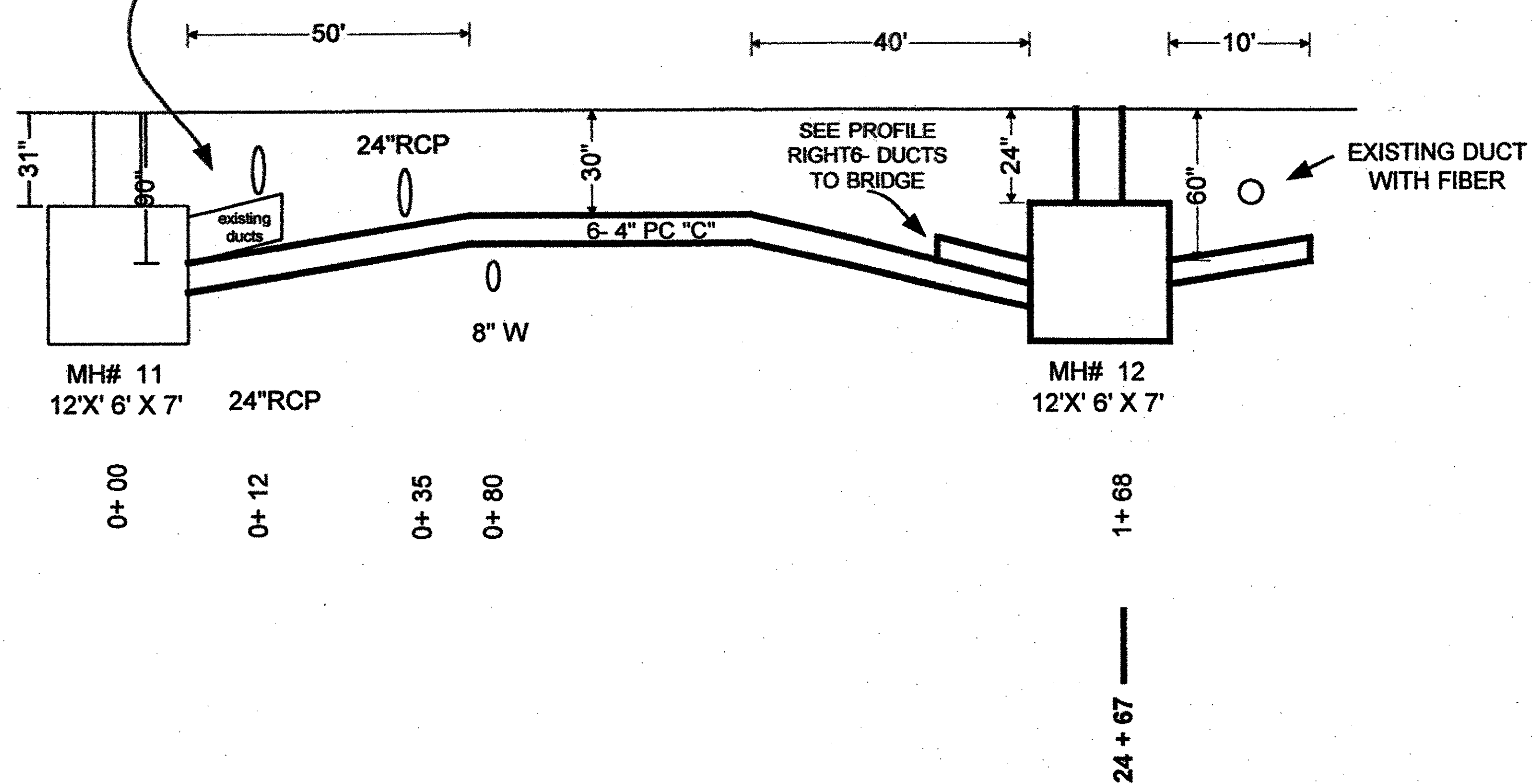


WORK ORDER



Note :
Existing vacant duct terminators are under the existing ductbank

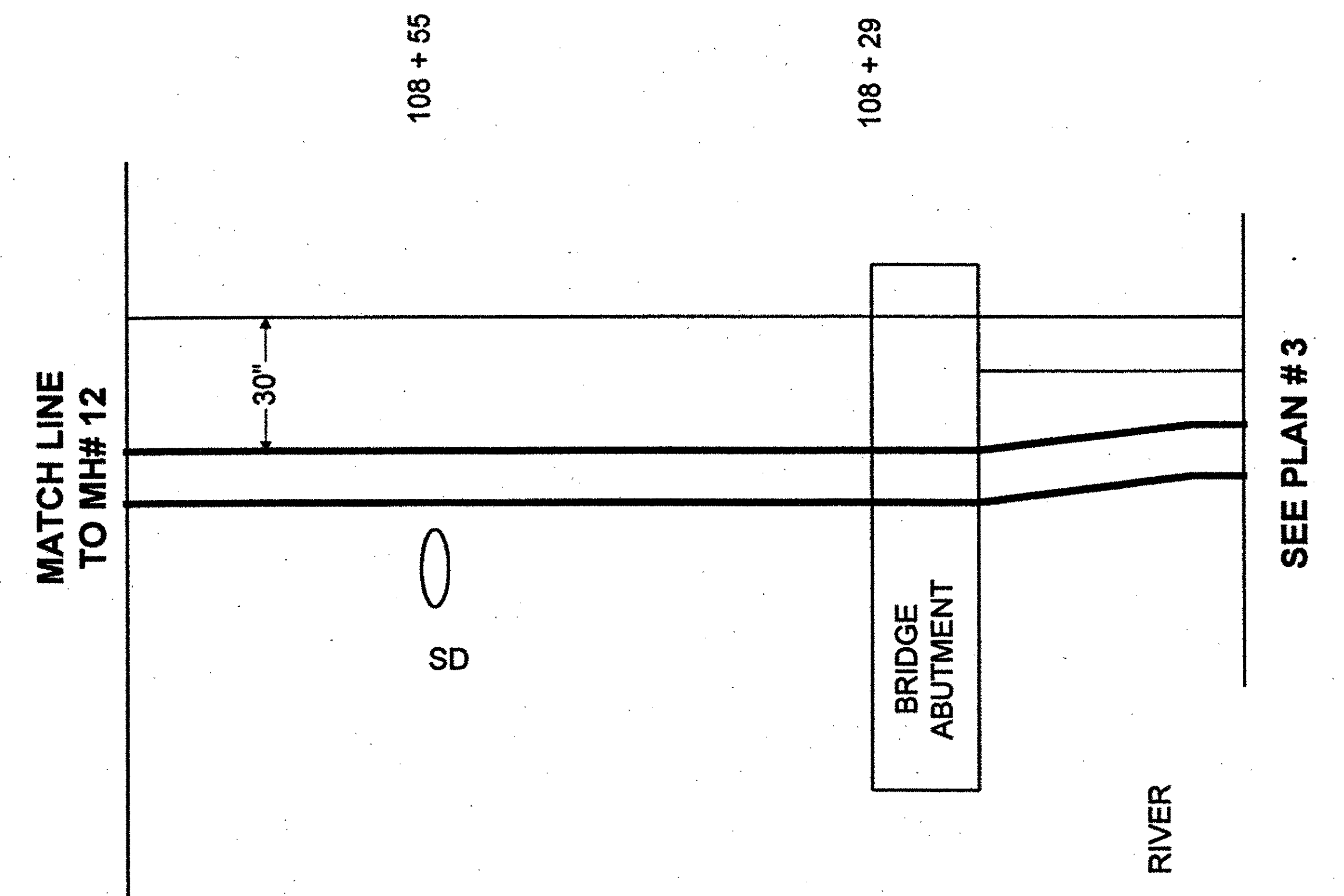


Notice: Not for Use/disclosure outside of BELL ATLANTIC without written agreement

BELL ATLANTIC

	SAFETY NOTES: TRAFFIC , BRIDGE CONSTRUCTION		MOD/REV NO.	DATE	EWO NO.
	SIGNATURE DATE 5/18/2000				PRINT 5 OF
	PRE CT YES <input type="checkbox"/> NO <input checked="" type="checkbox"/>		TYPE	RECORD REF:	PREPARED BY: J. BRIAN GRESL
	PRIMARY VOLTAGE TO GROUND 7.2 KV MGN SYSTEM		AERIAL	5	C.O. /EXCHANGE NAME: S. ROYALTON
CABLE PRESS.	UNDER PRESS. YES <input type="checkbox"/> NO <input checked="" type="checkbox"/>	UNDERGROUND			C.O. /EXCHANGE CODE: 4875
TRANSMISSION	26GA LIMIT YES <input type="checkbox"/> NO <input checked="" type="checkbox"/>	BLOCK (NYT)			MUNICIPALITY: ROYALTON
		CONDUIT	4		
		BUFFER YES <input type="checkbox"/> NO <input checked="" type="checkbox"/>			MANHOLE LOCATION MH# NA
		AMT. BRIDGE TAP INPUT			KF

PROJECT - 131154



6/23/00

PROFILE FOR PLAN 1

RECEIVED
JUN 26 2000
UTILITIES
Sheet 87 of 118