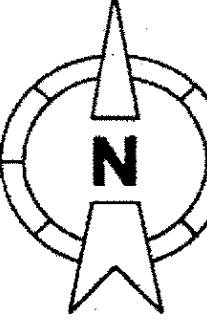
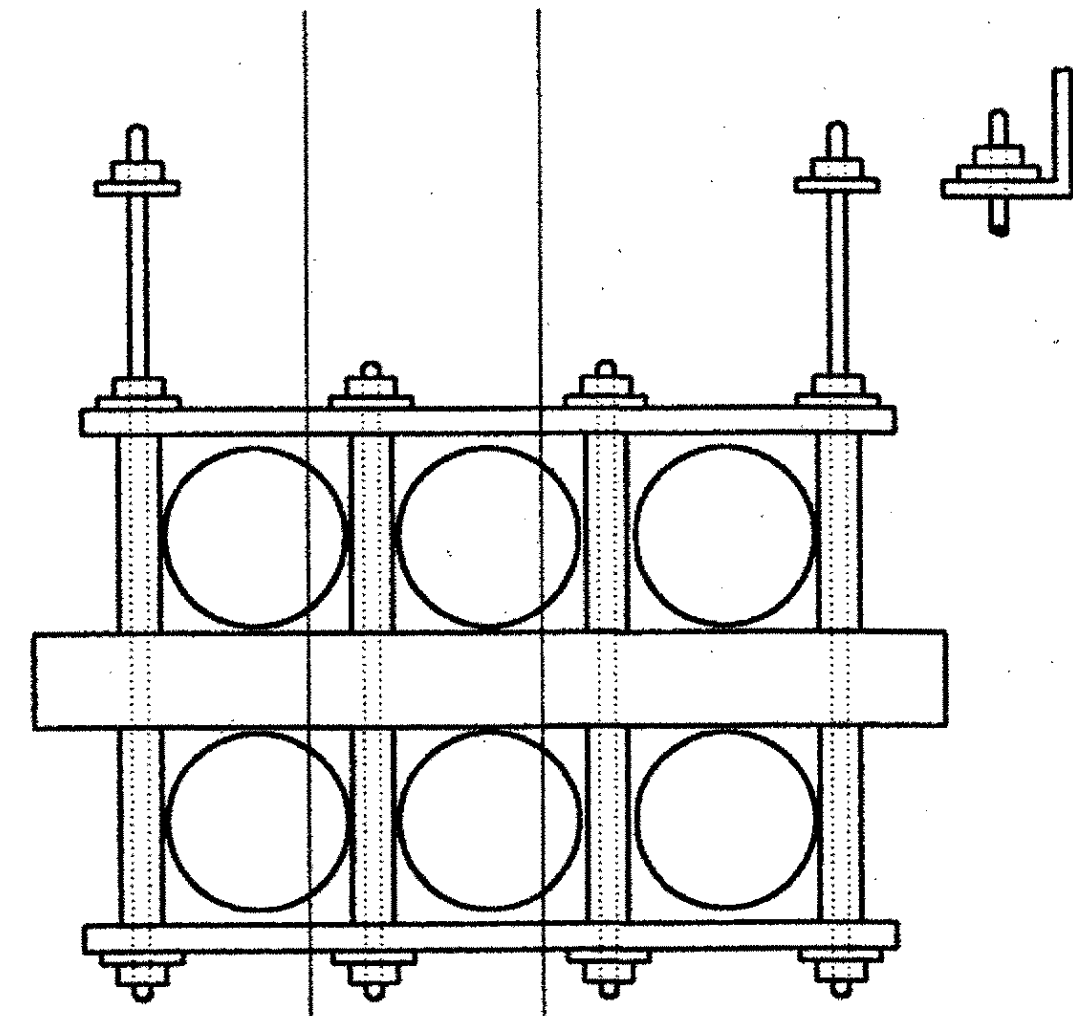


WORK ORDER

Notice: Not for Use/disclosure outside of BELL ATLANTIC without written agreement

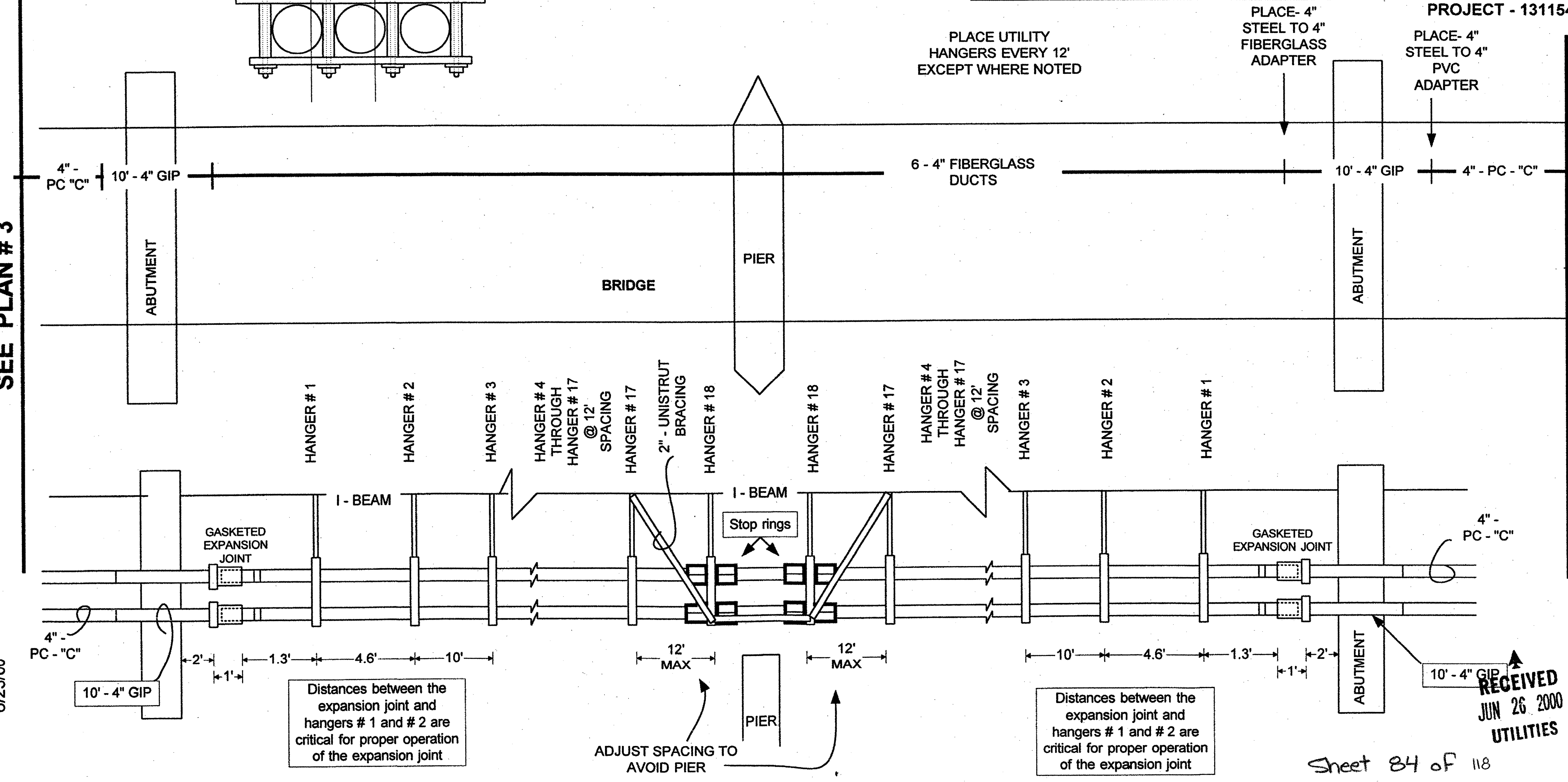
BELL ATLANTIC

	SAFETY NOTES: bridge construction, road work		MOD/REV NO.	DATE	EWO NO.
	SIGNATURE				PRINT 2 OF
	DATE 5/18/2000				PREPARED BY: J. BRIAN GRESL
	TYPE		AERIAL	RECORD REF: INPUT	C.O. /EXCHANGE NAME: S. ROYALTON
PRE CT	YES <input type="checkbox"/>	NO <input checked="" type="checkbox"/>	UNDERGROUND		C.O. /EXCHANGE CODE: 4875
PRIMARY VOLTAGE TO GROUND		7.2 KV MGN SYSTEM	BLOCK (NYT)		MUNICIPALITY: ROYALTON
CABLE PRESS.	UNDER PRESS. YES <input type="checkbox"/>	NO <input checked="" type="checkbox"/>	CONDUIT	4	MANHOLE LOCATION MH# NA
TRANSMISSION	26GA LIMIT YES <input type="checkbox"/>	NO <input checked="" type="checkbox"/>	AMT. BRIDGE TAP	INPUT	KF



SEE PLAN # 3

SEE PLAN # 1



PROJECT - 131154

6/23/00

RECEIVED
JUN 26 2000
UTILITIES

Sheet 84 of 118