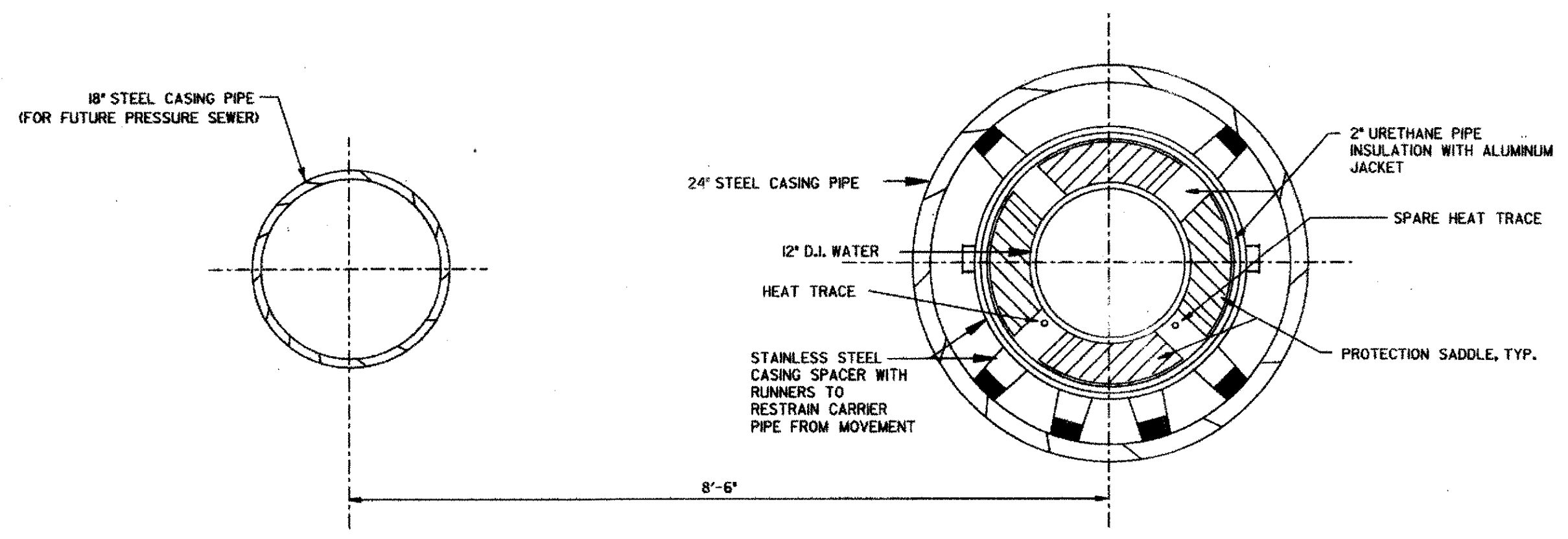


3
C5 EXPANSION JOINT AND WATER MAIN SUPPORT DETAIL
 NOT TO SCALE TYPICAL BOTH ENDS OF BRIDGE



2
C5 SECTION
 NOT TO SCALE

4
C5 PRESSURE SEWER SLEEVE DETAIL
 NOT TO SCALE TYPICAL BOTH ENDS OF BRIDGE

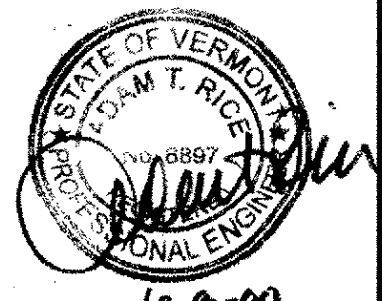
NOTE:
 INFORMATION ON THIS SHEET SHOULD ONLY BE CONSIDERED TO REPRESENT WATER MAIN, PRESSURE SEWER, AND APPURTENANCES. OTHER INFORMATION SHOWING STRUCTURAL ITEMS, STORM SEWER, AND SANITARY SEWER IS SHOWN ONLY FOR RELATIVE RELATIONSHIPS ONLY. THIS INFORMATION SHOULD BE OBTAINED FROM OTHER DRAWINGS.

PROJECT: ROYALTON	PROJECT NO. : BRZ 1444(22)
DESIGN FILE NAME: <i>zusc\stt\891099\81099bdr.dwg</i>	PLOT DATE: 01 JULY 98
IPARM FILE NAME: <i>stt\891099\89281099idwl</i>	SURVEY DATE: 9/29
SURVEYED BY: B. GILMA	DRAWN BY:
SQUAD LEADER: C.P. WILAMS	SHEET: 81 of 118
UTILITY SUPPORT DETAILS	

NOTE:
 INSTALL 3 STAINLESS STEEL SPACERS INSIDE STEEL CASING PIPE PER LENGTH OF DUCTILE IRON PIPE AT BOTH ENDS OF THE BRIDGE

REV.	DESCRIPTION	BY	DATE
1	CORRECTED SCALE	BLB	6-8-00
2	BAY LOCATIONS PER VT AOT	EET	5-26-00
3	DELETE SEWER	BLB	5-2-00

TOWN OF ROYALTON AND ROYALTON FIRE DISTRICT No. 1
 WHITE RIVER BRIDGE UTILITY CROSSINGS
UTILITY SUPPORT DETAILS
 SOUTH ROYALTON VERMONT



Project No. 617005	Project Manager A. T. RICE
Project Designer R. N. GOODWIN	Drawn By M. A. M./L. A. W.
Checked By A. T. RICE	Scale AS SHOWN
Approved <i>[Signature]</i>	Date APRIL 2000