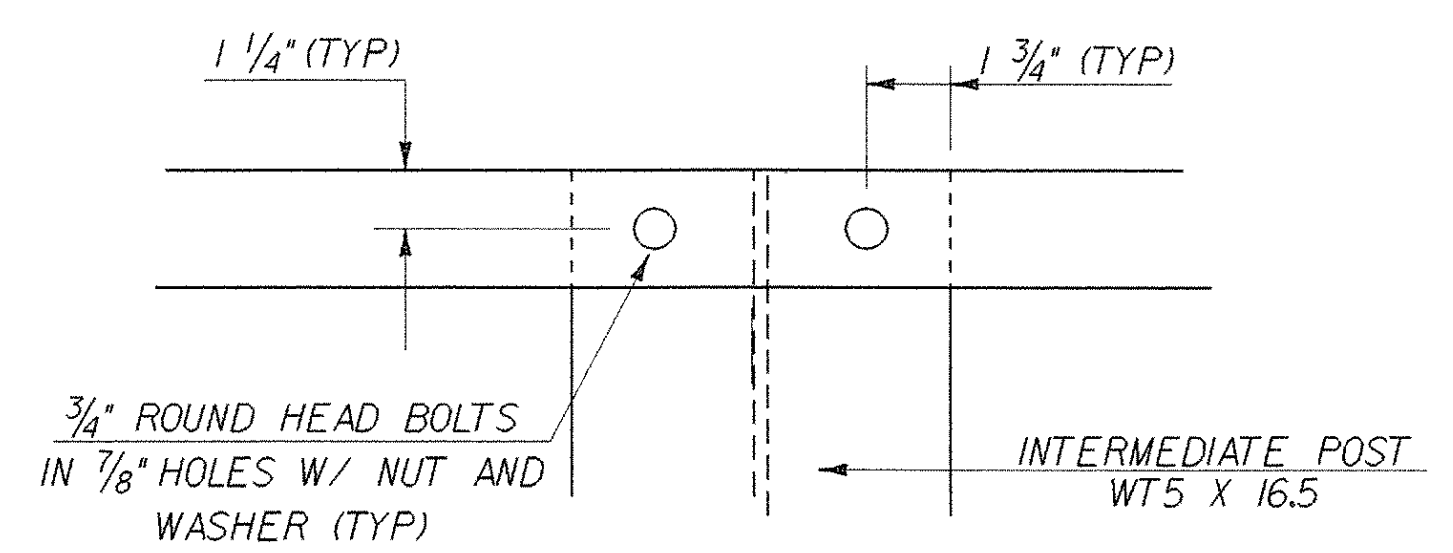


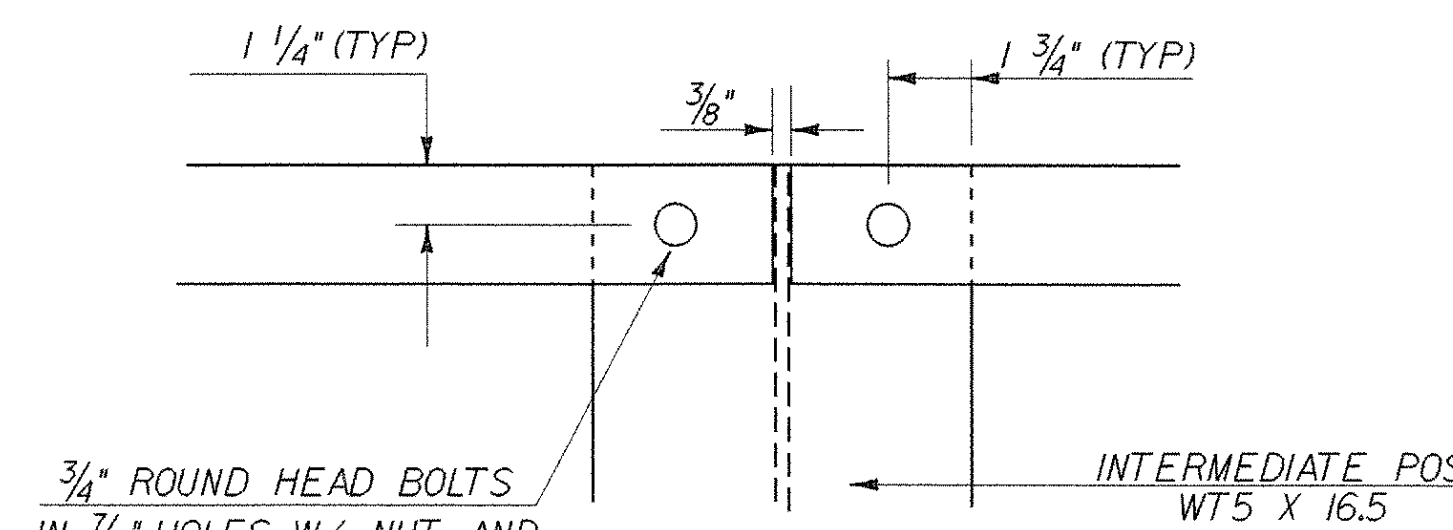
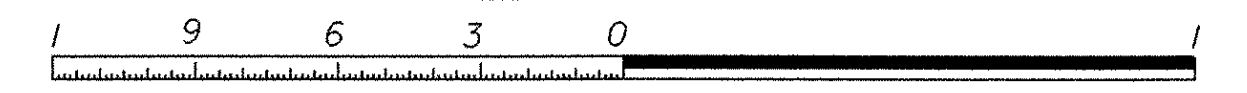
ELEVATION PEDESTRIAN RAILING

HORIZONTAL SCALE: 3/8" = 1'-0"
 VERTICAL SCALE: 1" = 1'-0"



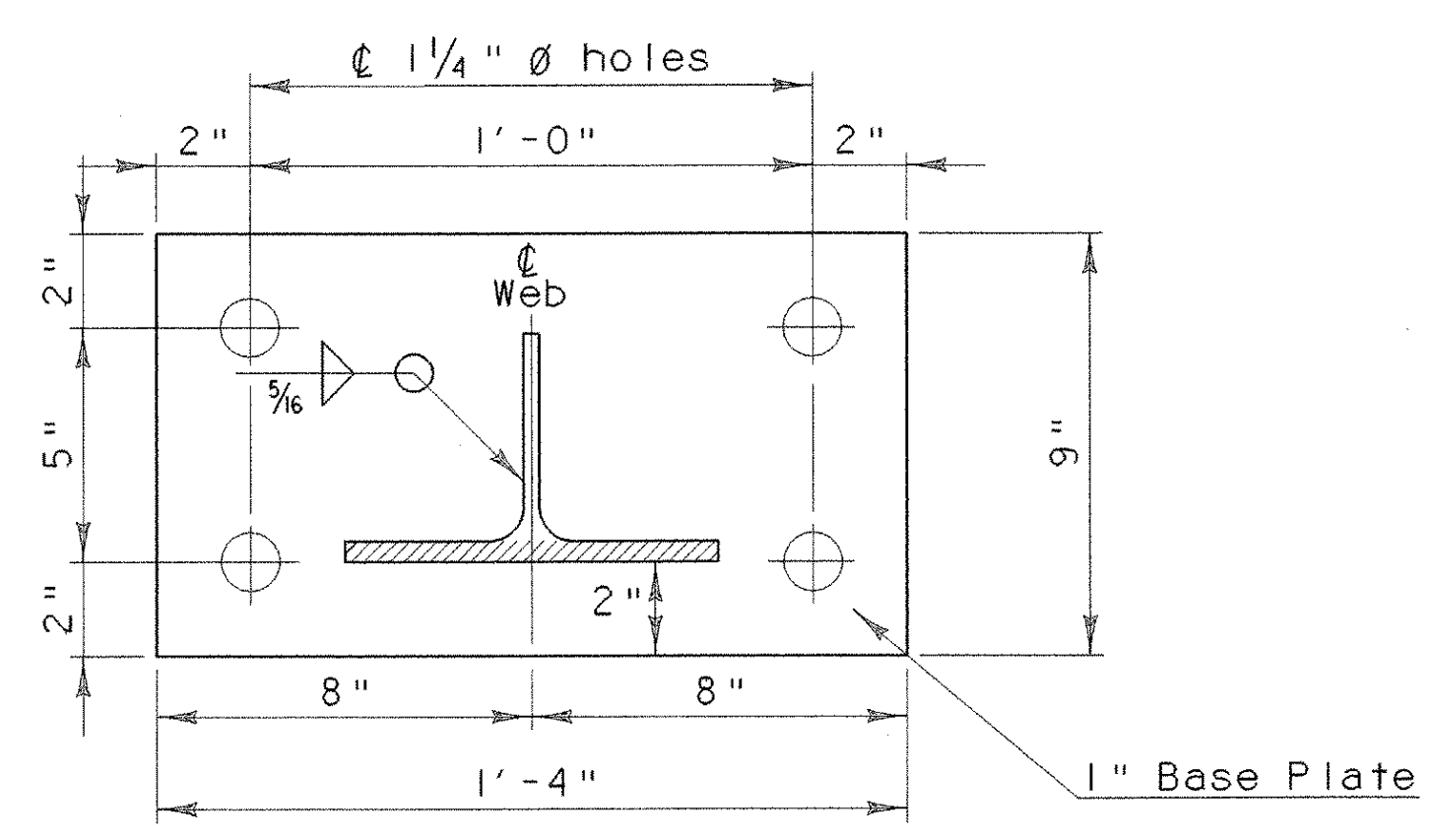
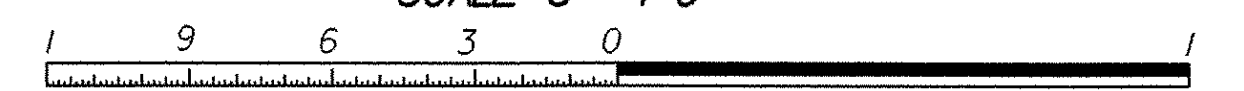
BOLTING DETAIL "A"

SCALE 3" = 1'-0"



BOLTING DETAIL "B"

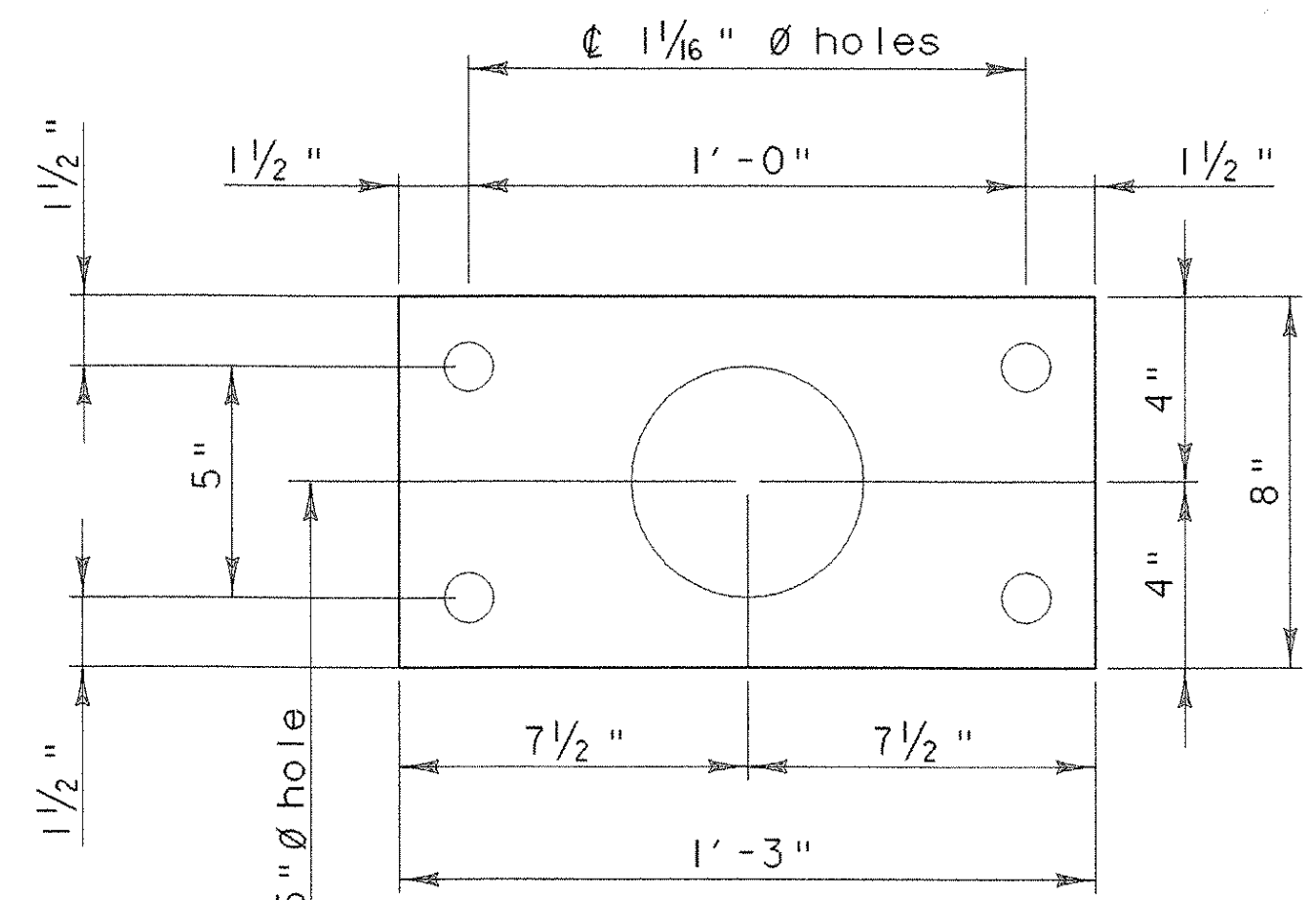
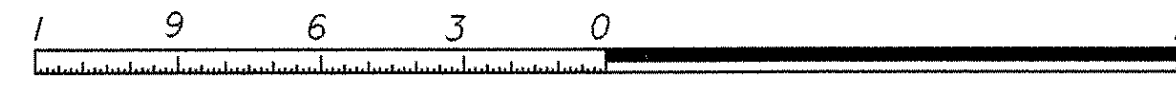
SCALE 3" = 1'-0"



POST & BASE PLATE

SIDEWALK AND WINGWALL MOUNTED POSTS

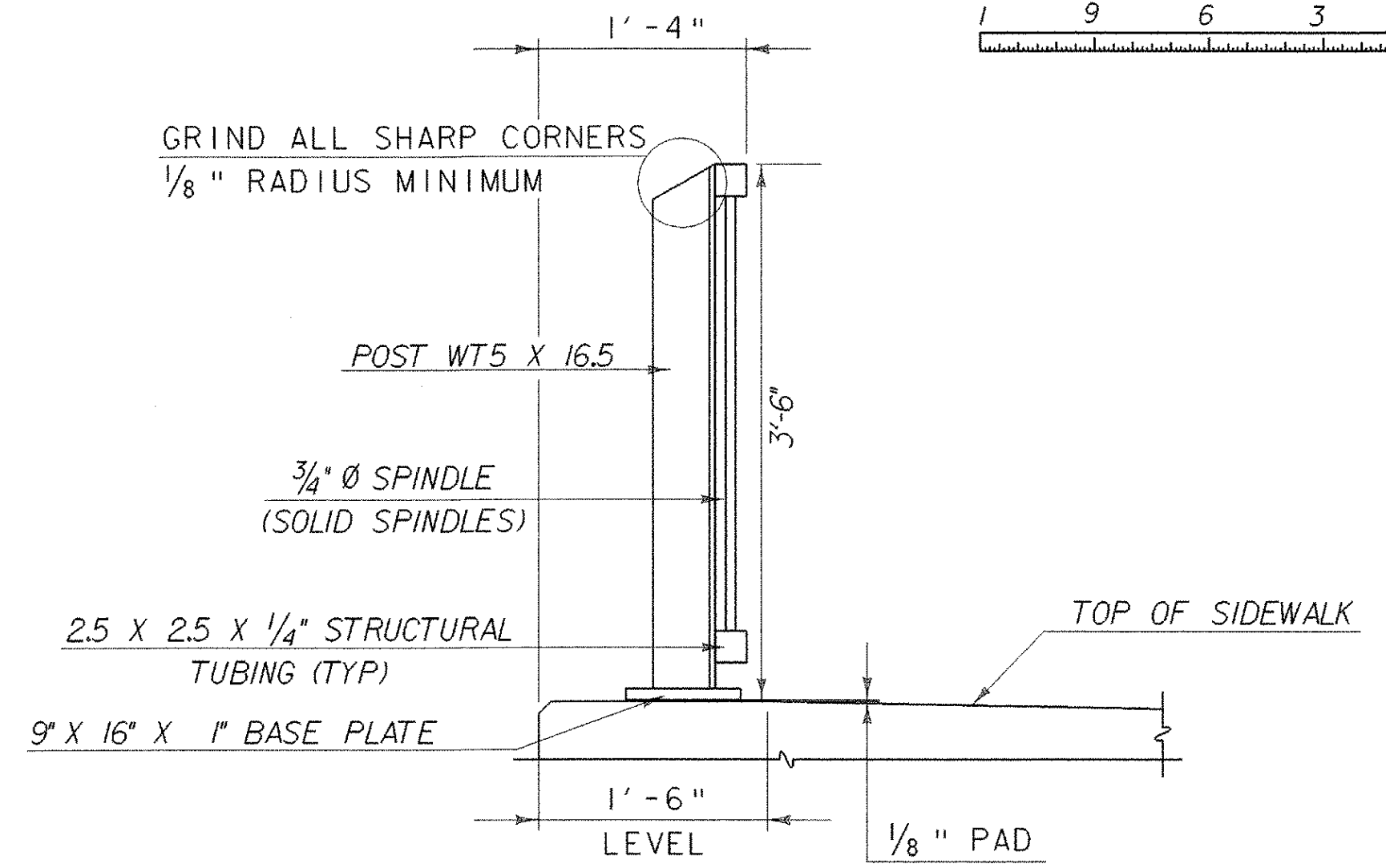
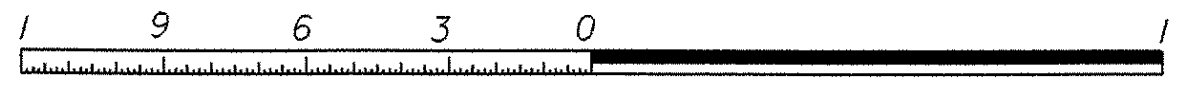
SCALE 3" = 1'-0"



SPACER PLATE

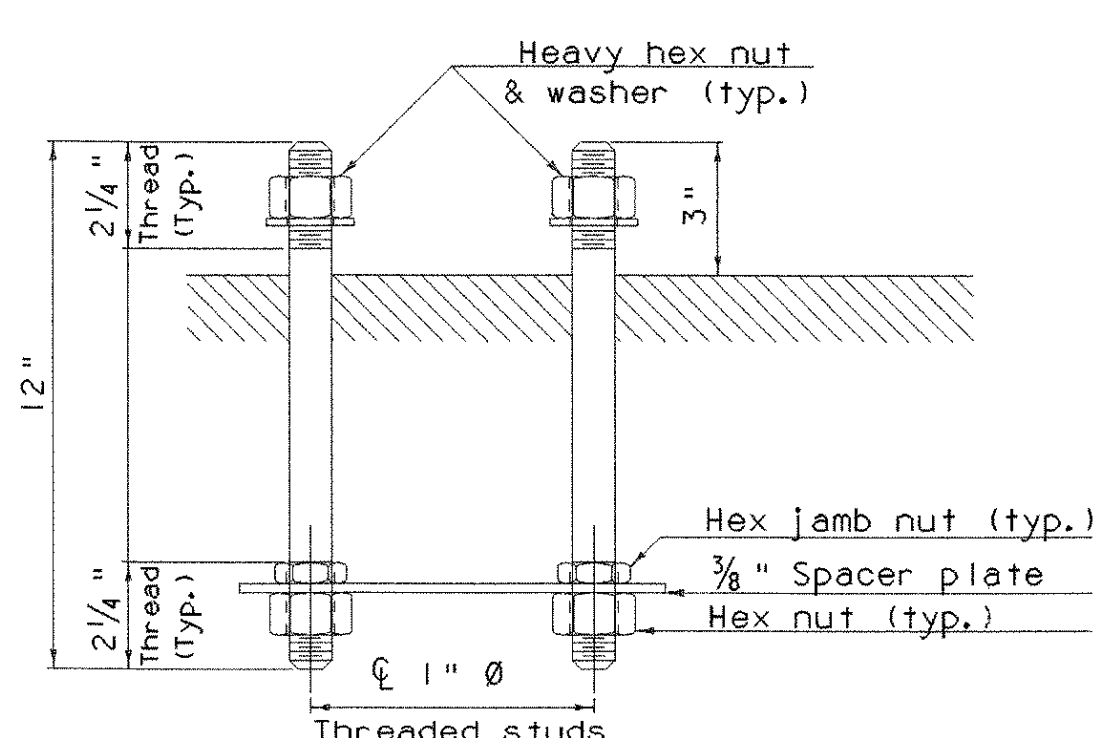
SIDEWALK AND WINGWALL MOUNTED POSTS

SCALE 3" = 1'-0"



PEDESTRIAN RAIL BRIDGE SECTION

SCALE 1" = 1'-0"



RAIL POST ANCHORAGE NTS

PROJECT NAME:	ROYALTON BRZ 1444 (22)
PROJECT NUMBER:	
FILE NAME:	89j099/structures/sj099rail.dgn
IPARM NAME:	sj099ped1.i
PROJECT LEADER:	C.P. WILLIAMS
DESIGNED BY:	W.B. SYMONDS
PEDESTRIAN RAIL DETAILS	
PLOT DATE:	25-SEP-2000
DRAWN BY:	P.R. ROWE
CHECKED BY:	W.B. SYMONDS
SHEET	70 OF 118