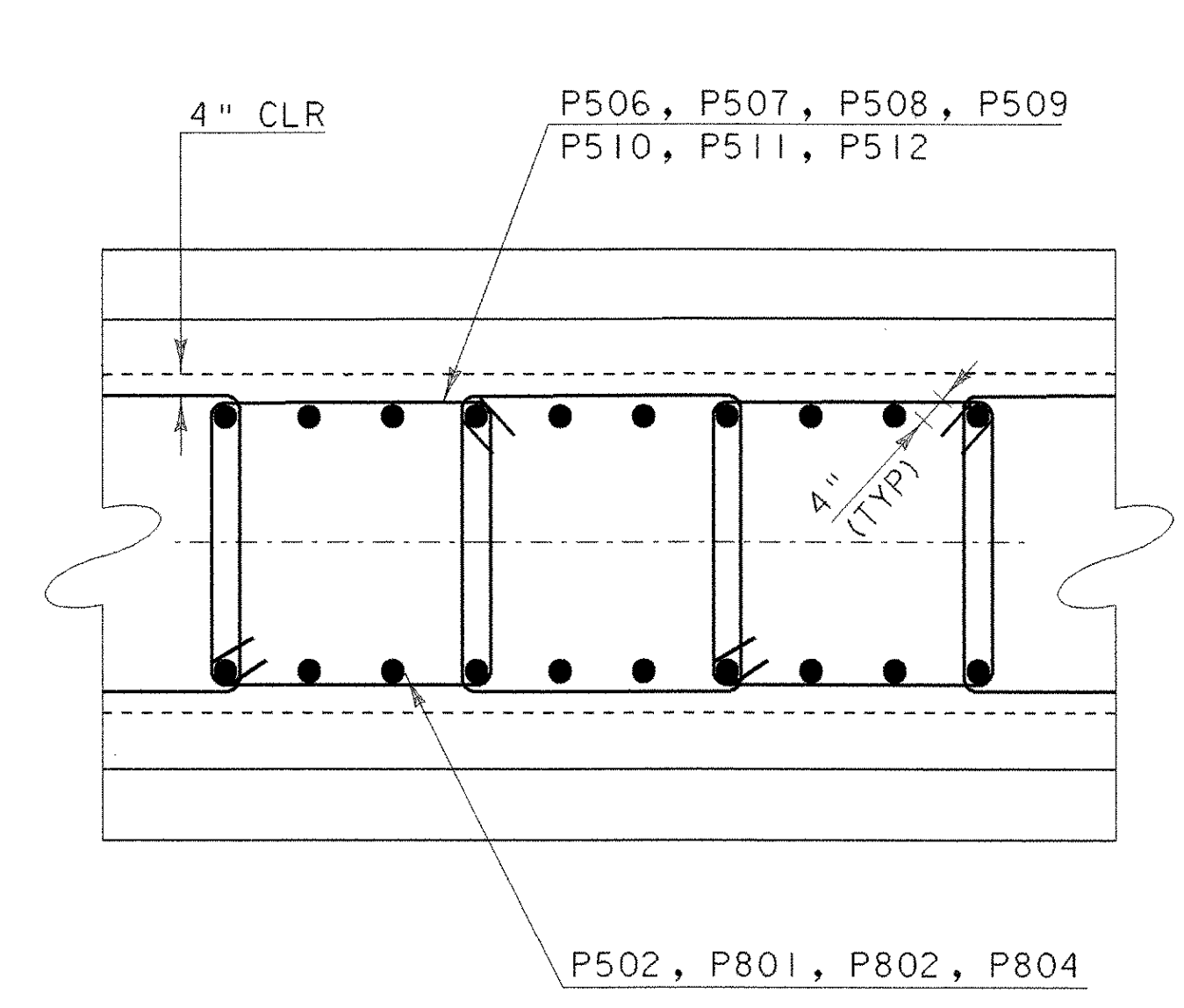


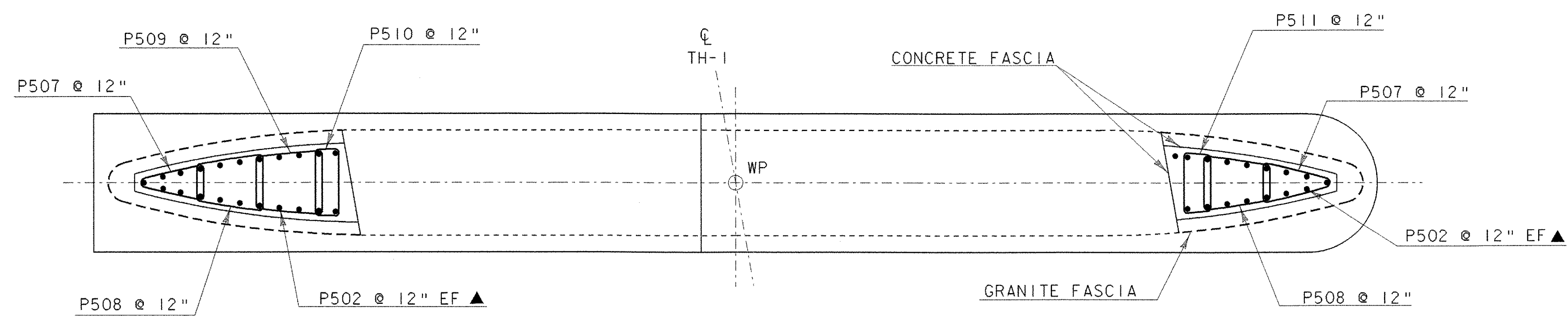
PIER SECTION A-A

SCALE 1/4" = 1'-0"
 1 0 2 4 6



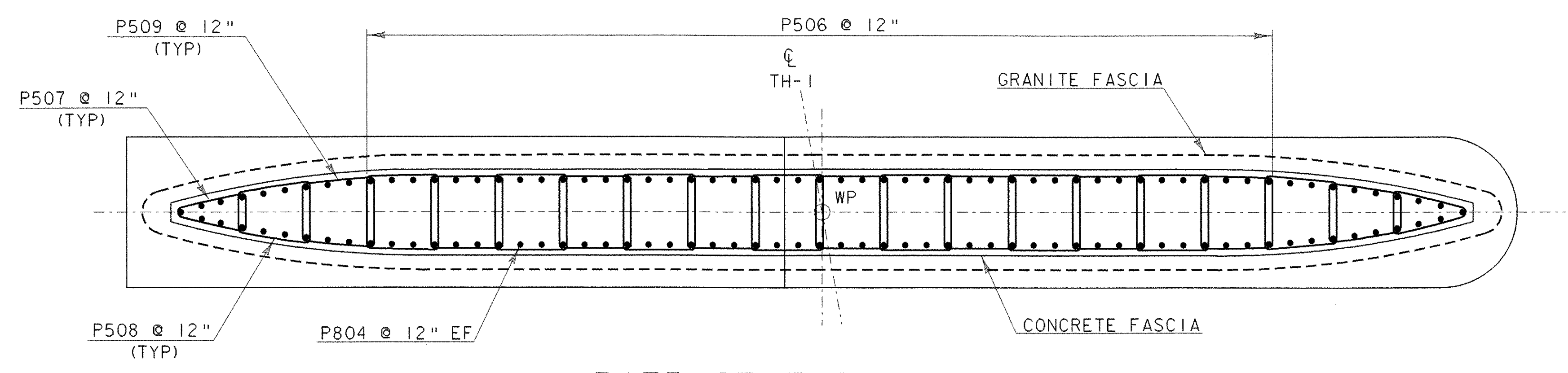
TYPICAL TIE DETAIL

SCALE 1/2" = 1'-0"
 1 0 1 2



PIER SECTION B-B

SCALE 1/4" = 1'-0"
 1 0 2 4 6



PIER SECTION C-C

SCALE 1/4" = 1'-0"
 1 0 2 4 6

NOTE:
 NF = NEAR FACE
 FF = FAR FACE
 EF = EACH FACE
 ▲ = CUT TO FIT IN FIELD
 PC = POINT OF CURVATURE
 C. J. = CONSTRUCTION JOINT
 ALL LAP SPLICES NOT
 DETAILED SHALL BE 2'-2"

PROJECT NAME:	ROYALTON BRZ 1444 (22)
PROJECT NUMBER:	
FILE NAME: 89j099/structures/sj099pier.dgn	IPARM NAME: sj099piersections.i
PROJECT LEADER: C.P. WILLIAMS	DESIGNED BY: W.B. SYMONDS
CHECKED BY: W.B. SYMONDS	
PIER SECTIONS	
PLLOT DATE: 25-SEP-2000	DRAWN BY: D.G. BASSETT
	CHECKED BY: W.B. SYMONDS
	SHEET 65 OF 118