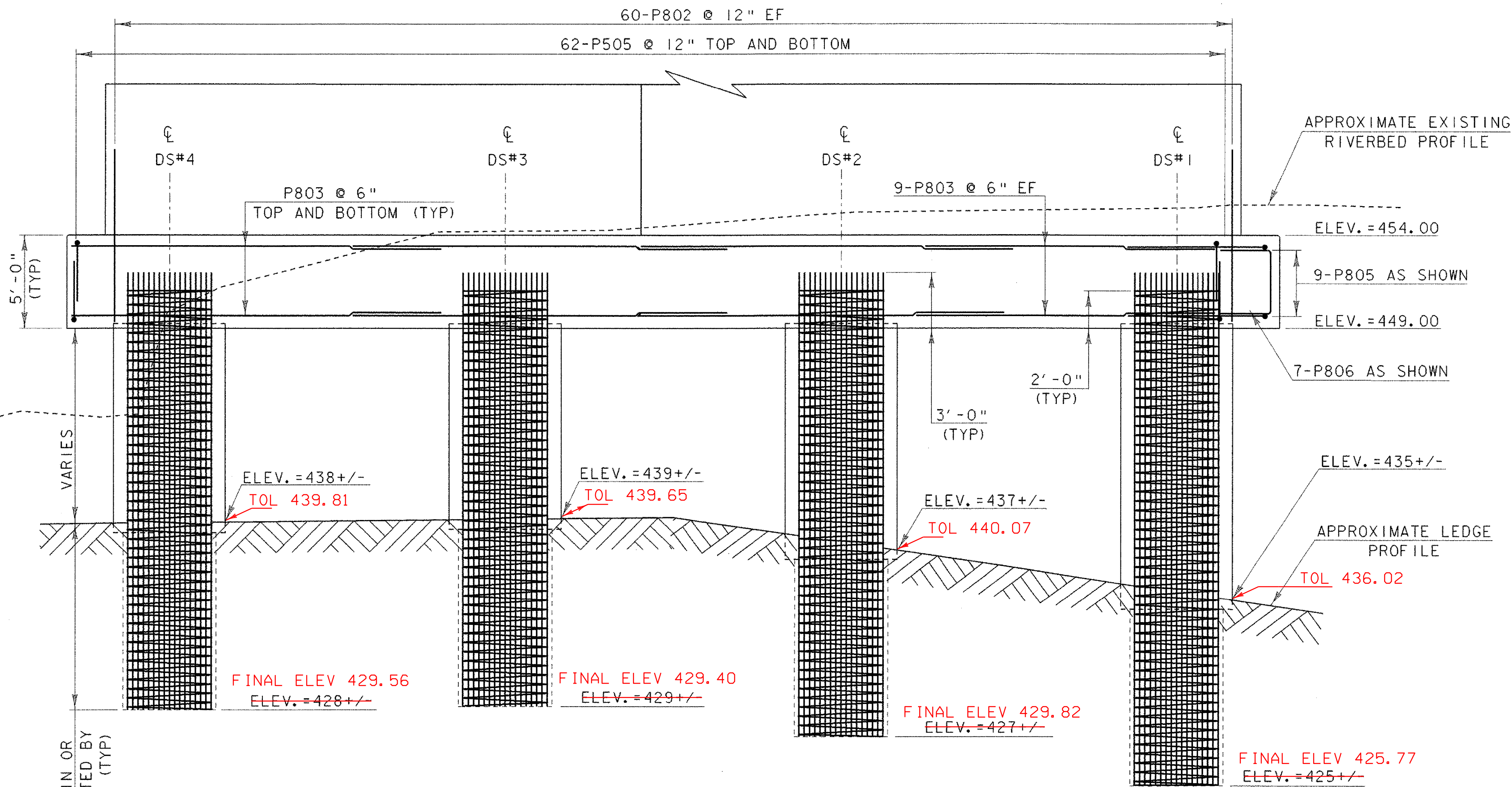


DRILLED SHAFT AND PIER FOOTING REINFORCING PLAN

SCALE 1/4" = 1'-0"
1 0 2 4 6

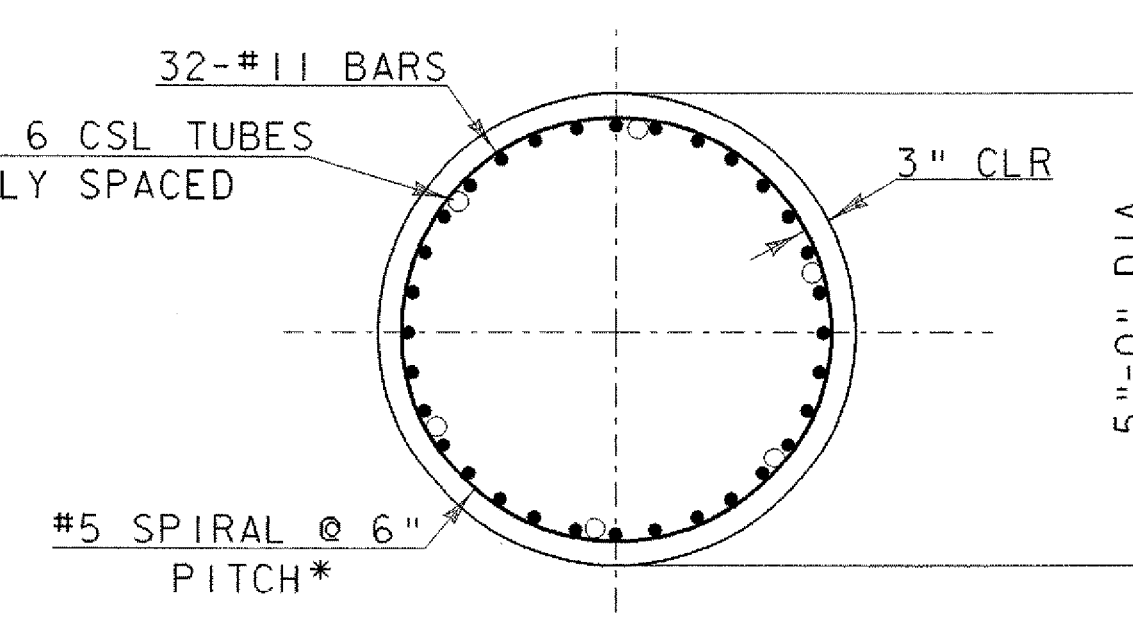
FLOW



DRILLED SHAFT AND PIER FOOTING REINFORCING ELEVATION

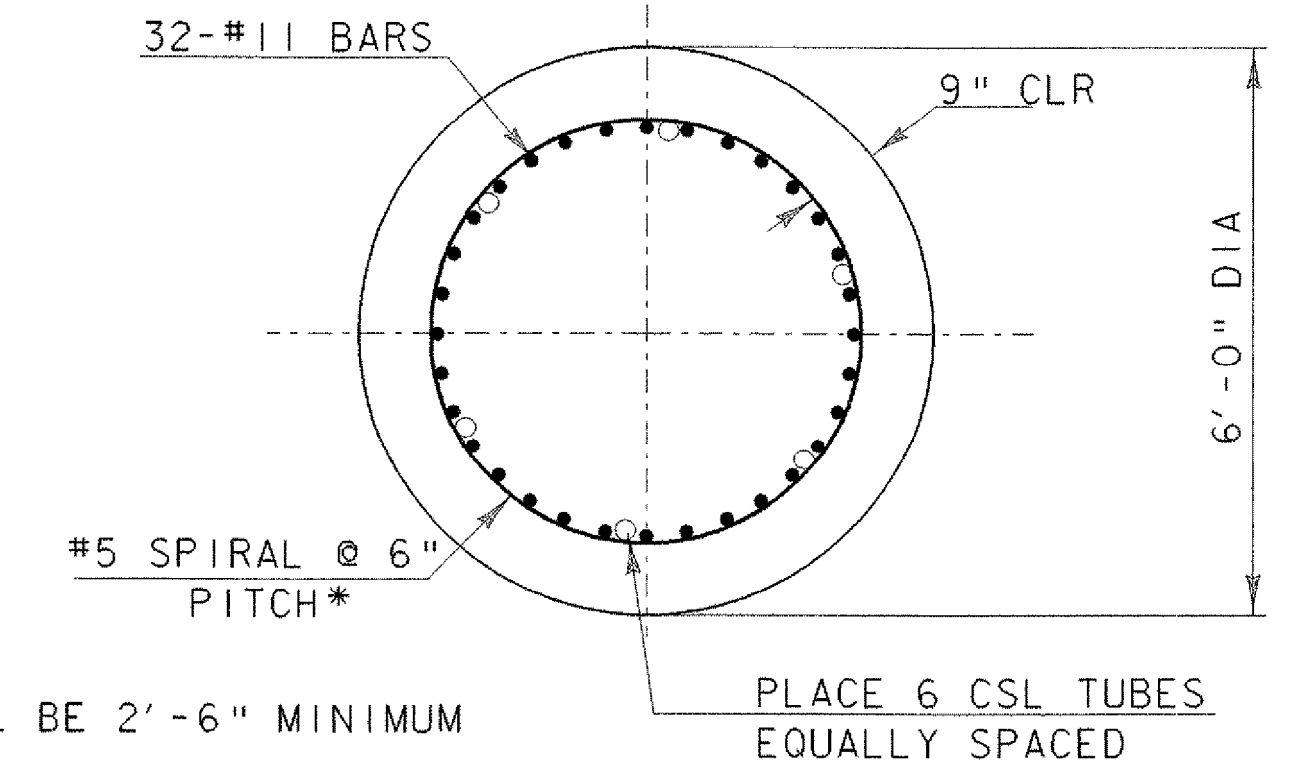
SCALE 1/4" = 1'-0"
1 0 2 4 6

10'-0" MIN OR AS DIRECTED BY ENGINEER (TYP)



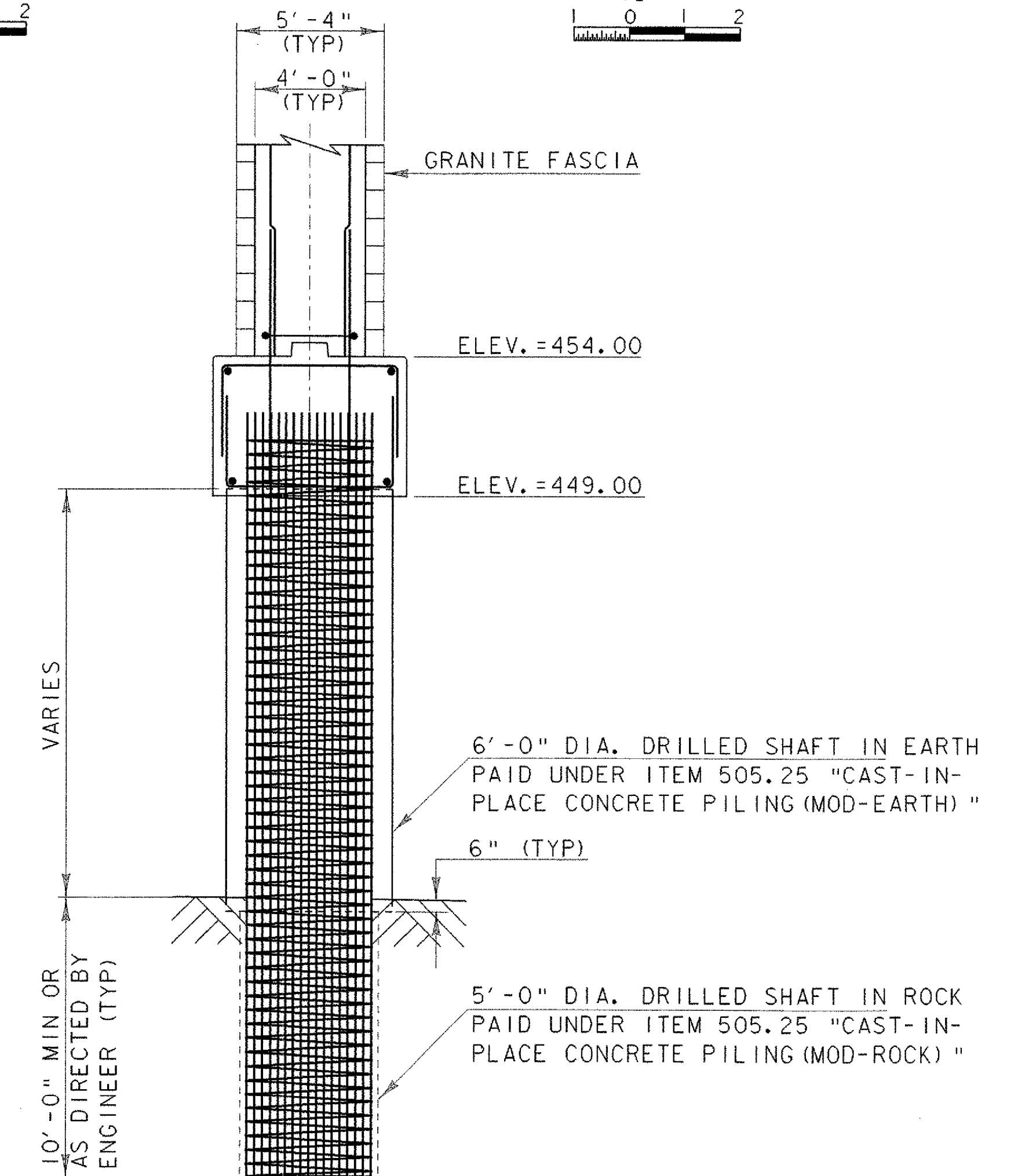
DRILLED SHAFT IN ROCK TYPICAL SECTION

SCALE 1/2" = 1'-0"
1 0 2



DRILLED SHAFT IN EARTH TYPICAL SECTION

SCALE 1/2" = 1'-0"
1 0 2



DRILLED SHAFT TYPICAL SECTION

SCALE 1/4" = 1'-0"
1 0 2 4 6

NOTE:

- NF = NEAR FACE
- FF = FAR FACE
- EF = EACH FACE
- ▲ = CUT TO FIT IN FIELD
- PC = POINT OF CURVATURE
- C.J. = CONSTRUCTION JOINT
- ALL LAP SPLICES NOT DETAILED SHALL BE 2'-2"
- CSL = CROSS HOLE SONIC LOGGING

PROJECT NAME: ROYALTON BRZ 1444 (22)
PROJECT NUMBER:
FILE NAME: 89j099/structures/sj099pier.dgn PLOT DATE: 11-AUG-2000
IPARM NAME: sj099ftgshaftrein.i DRAWN BY: D.G. BASSETT
PROJECT LEADER: C.P. WILLIAMS CHECKED BY: W.B. SYMONDS
DESIGNED BY: W.B. SYMONDS
DRILLED SHAFT AND FOOTING DETAILS SHEET 64