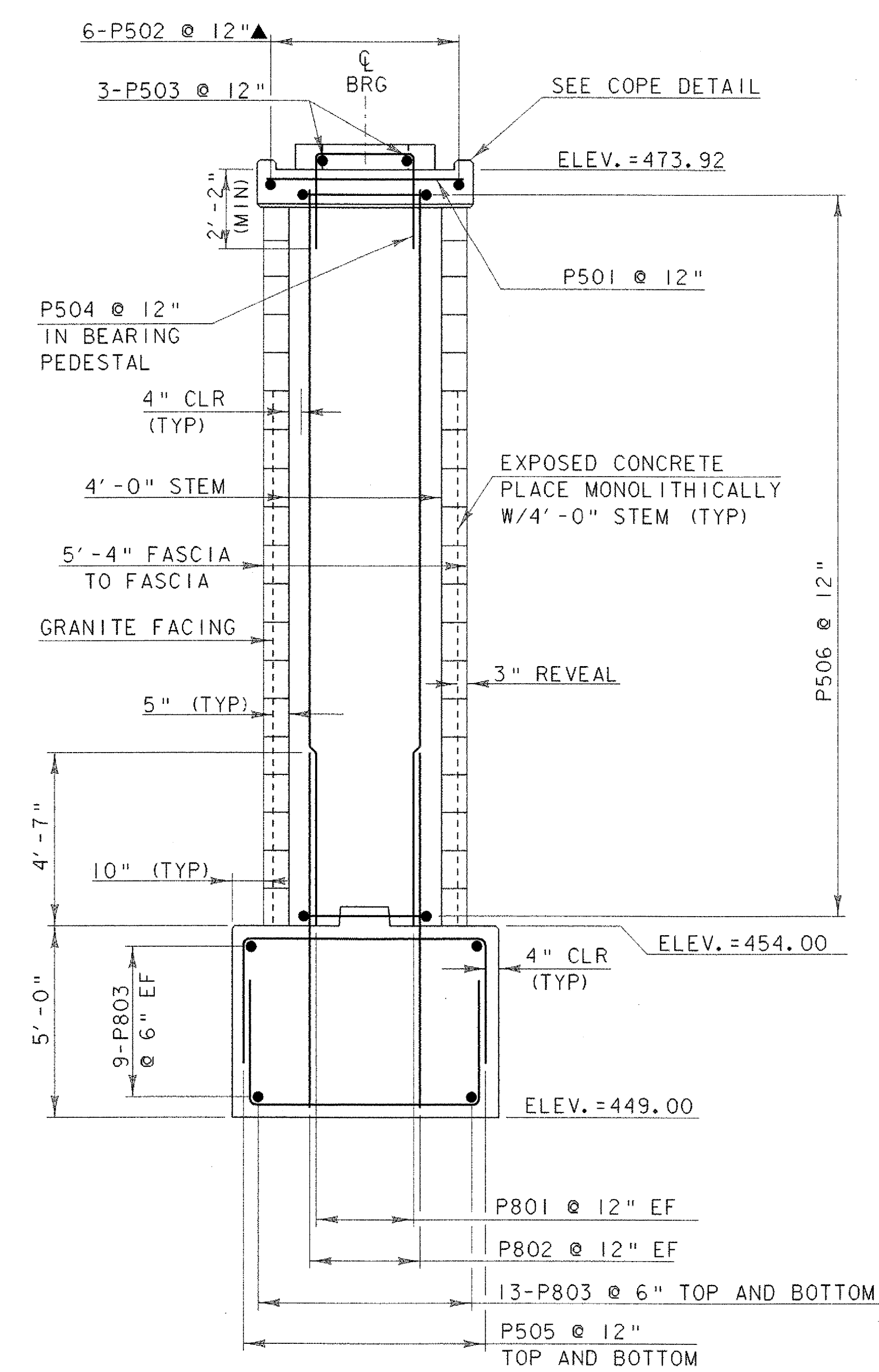


PIER REINFORCING PLAN AND ELEVATION

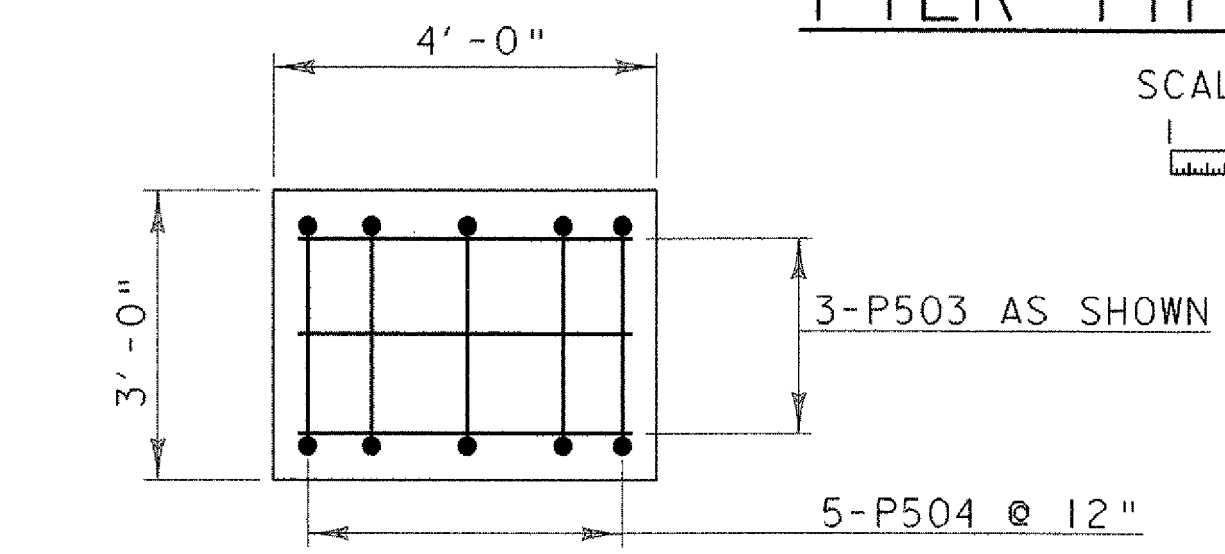
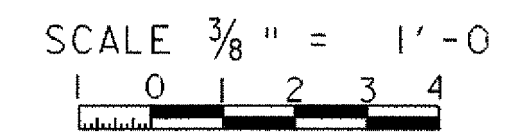


BEARING PEDESTAL ELEVATIONS

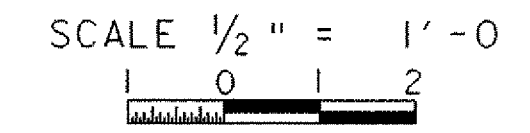
CL	CL	CL	CL	CL
G5	G4	G3	G2	G1
474.50	474.68	474.78	474.60	474.43
474.42				474.39



PIER TYPICAL SECTION



BEARING PEDESTAL



NOTE:
 NF = NEAR FACE
 FF = FAR FACE
 EF = EACH FACE
 ▲ = CUT TO FIT IN FIELD
 C.J. = CONSTRUCTION JOINT
 ALL LAP SPLICES NOT
 DETAILED SHALL BE 2'-2"

DRILLED SHAFT REINFORCING
 NOT SHOWN FOR CLARITY

PROJECT NAME: ROYALTON BRZ 1444 (22)
 PROJECT NUMBER: ROYALTON BRZ 1444 (22)
 FILE NAME: 89j099/structures/sj099pier.dgn
 IPARM NAME: sj099pierrein.i
 PROJECT LEADER: C.P. WILLIAMS
 DESIGNED BY: W.B. SYMONDS
 PIER REINFORCING DETAILS

PLOT DATE: 11-AUG-2000
 DRAWN BY: D.G. BASSETT
 CHECKED BY: W.B. SYMONDS
 SHEET 63