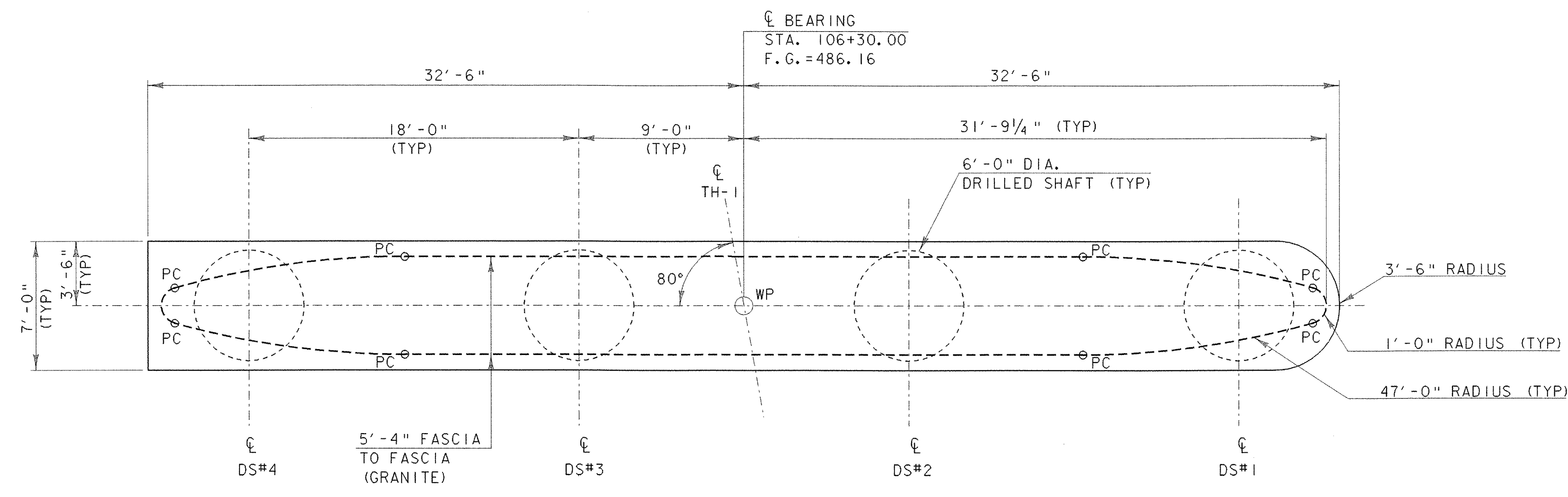


**PIER PLAN**

SCALE 1/4" = 1'-0"



**DRILLED SHAFT AND PIER FOOTING PLAN**

SCALE 1/4" = 1'-0"

- NOTE:**
- NF = NEAR FACE
  - FF = FAR FACE
  - EF = EACH FACE
  - ▲ = CUT TO FIT IN FIELD
  - PC = POINT OF CURVATURE
  - C. J. = CONSTRUCTION JOINT
  - ALL LAP SPLICES NOT DETAILED SHALL BE 2'-2"

PROJECT NAME:	ROYALTON BRZ 1444 (22)
PROJECT NUMBER:	
FILE NAME: 89j099/structures/sj099pier.dgn	PLOT DATE: 25-SEP-2000
IPARM NAME: sj099pierpe.i	DRAWN BY: D.G. BASSETT
PROJECT LEADER: C.P. WILLIAMS	CHECKED BY: W.B. SYMONDS
DESIGNED BY: W.B. SYMONDS	SHEET 62 OF 118
PIER AND FOOTING PLAN	