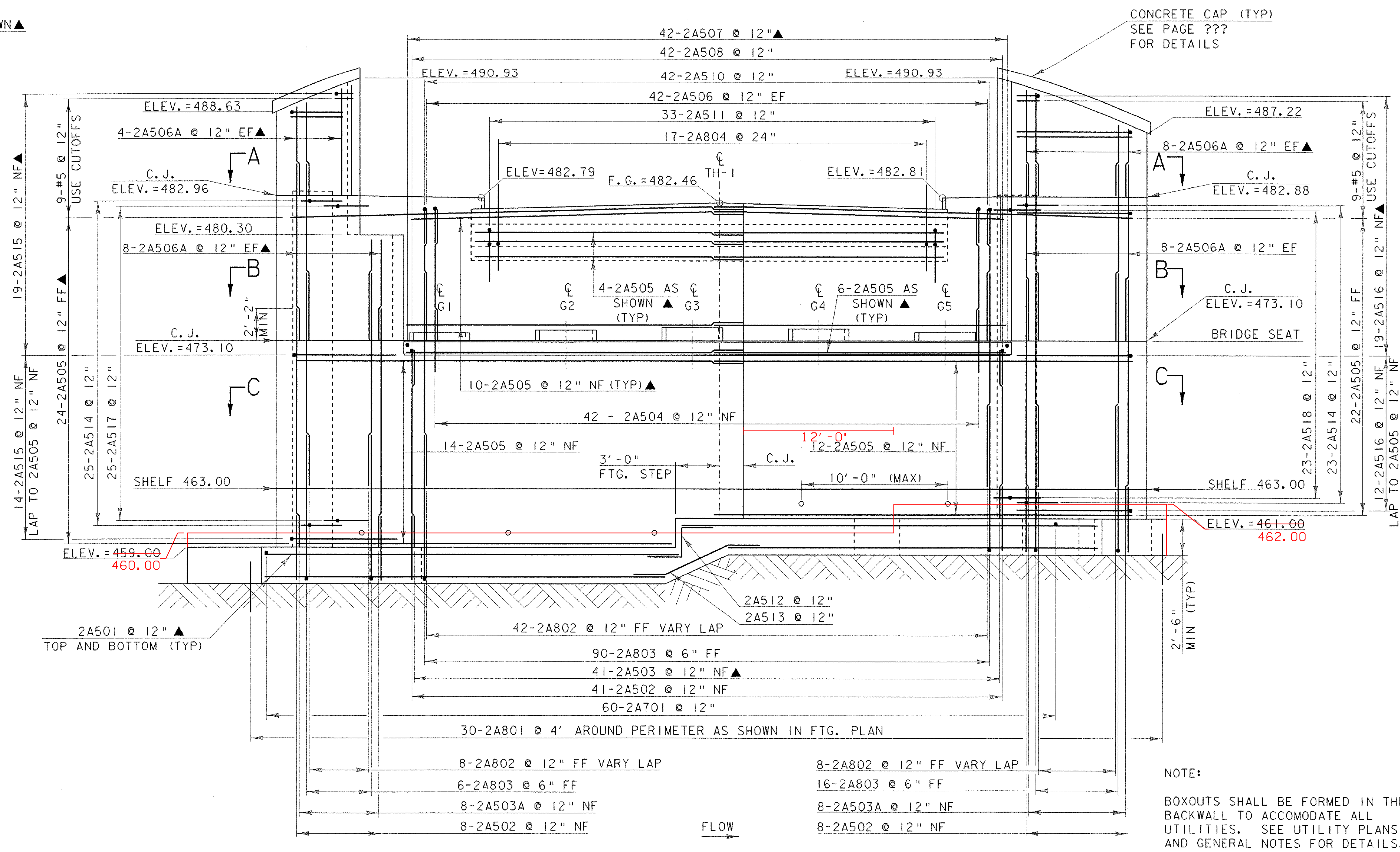


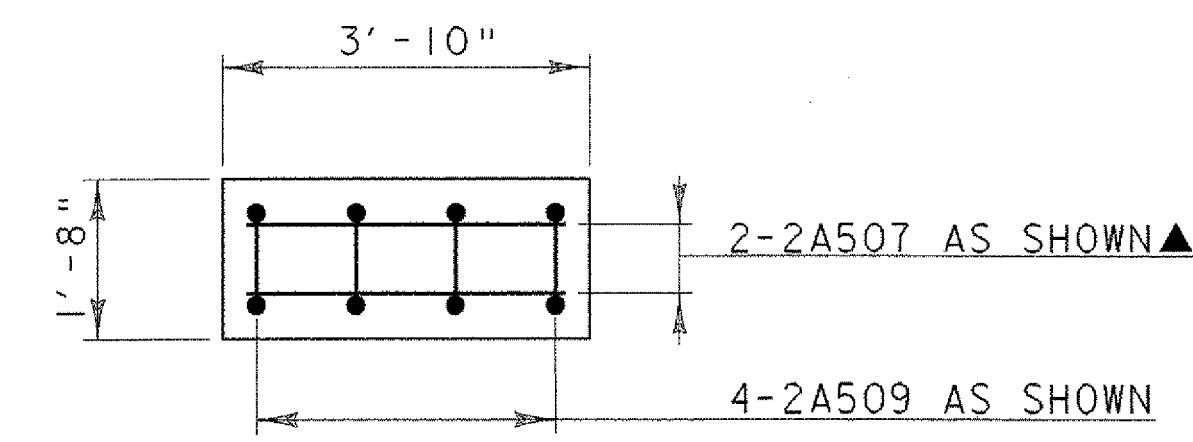
ABUTMENT #2 TYPICAL SECTION

SCALE 1/2" = 1'-0"



ABUTMENT #2 ELEVATION

SCALE 1/4" = 1'-0"



BEARING PEDESTAL

SCALE 1/2" = 1'-0"

BEARING PEDESTAL ELEVATIONS

CL	CL	CL	CL	CL
G1	G2	G3	G4	G5
473.61	473.79	473.97	473.89	473.70
.59				.61

CONCRETE CAP (TYP)  
SEE PAGE ???  
FOR DETAILS

NOTE:  
BOXOUTS SHALL BE FORMED IN THE BACKWALL TO ACCOMMODATE ALL UTILITIES. SEE UTILITY PLANS AND GENERAL NOTES FOR DETAILS.

NOTE:  
NF = NEAR FACE  
FF = FAR FACE  
EF = EACH FACE  
▲ = CUT TO FIT IN FIELD  
C.J. = CONSTRUCTION JOINT  
ALL LAP SPLICES NOT DETAILED SHALL BE 2'-2"

PROJECT NAME: ROYALTON BRZ 1444 (22)  
PROJECT NUMBER: ROYALTON BRZ 1444 (22)  
FILE NAME: 89j099/structures/sj099ab2.dgn PLOT DATE: 11-AUG-2000  
IPARM NAME: sj099abut2.i DRAWN BY: D.G. BASSETT  
PROJECT LEADER: C.P. WILLIAMS CHECKED BY: C.P. WILLIAMS  
DESIGNED BY: W.B. SYMONDS  
ABUTMENT #2 TYPICAL AND ELEVATION SHEET 57