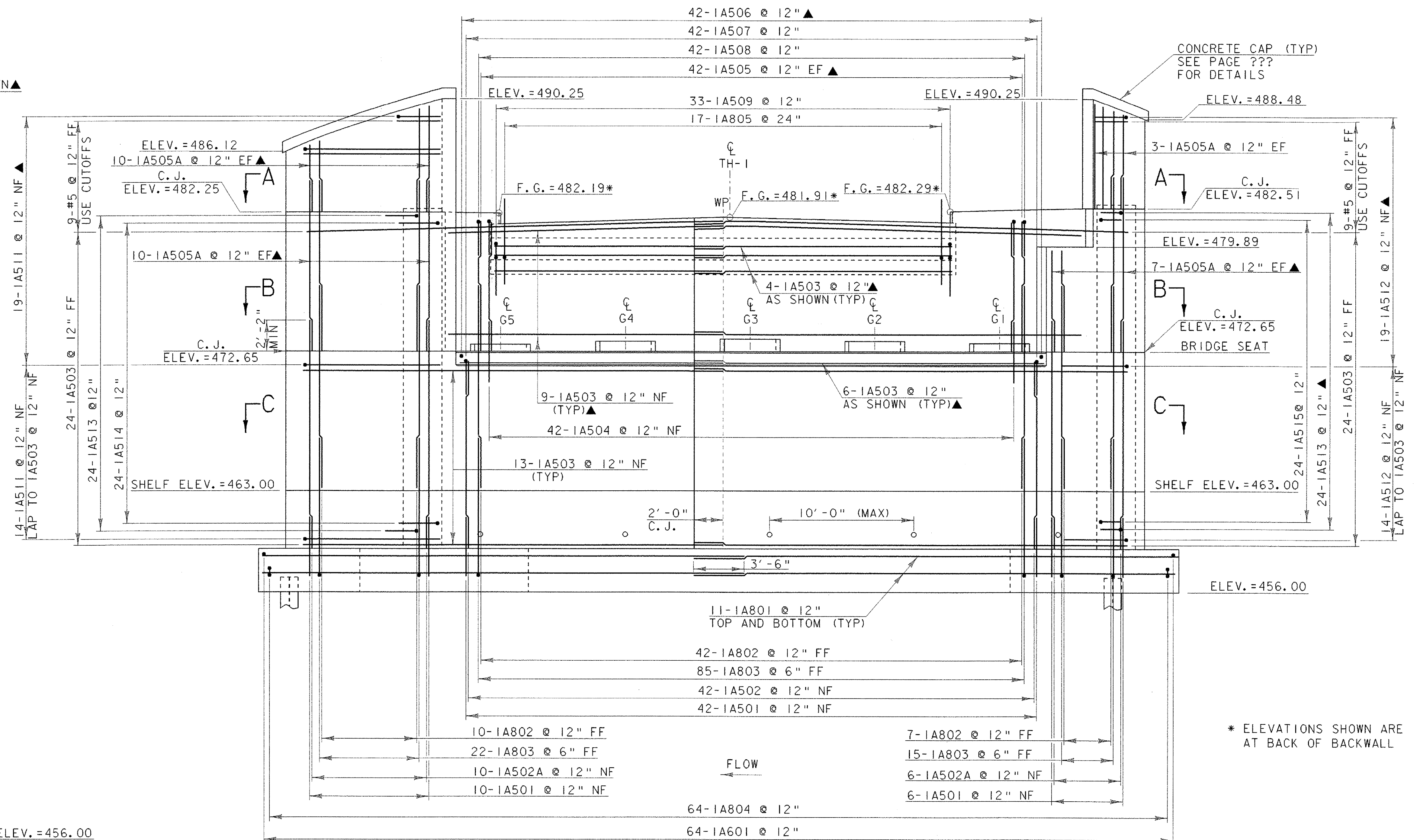


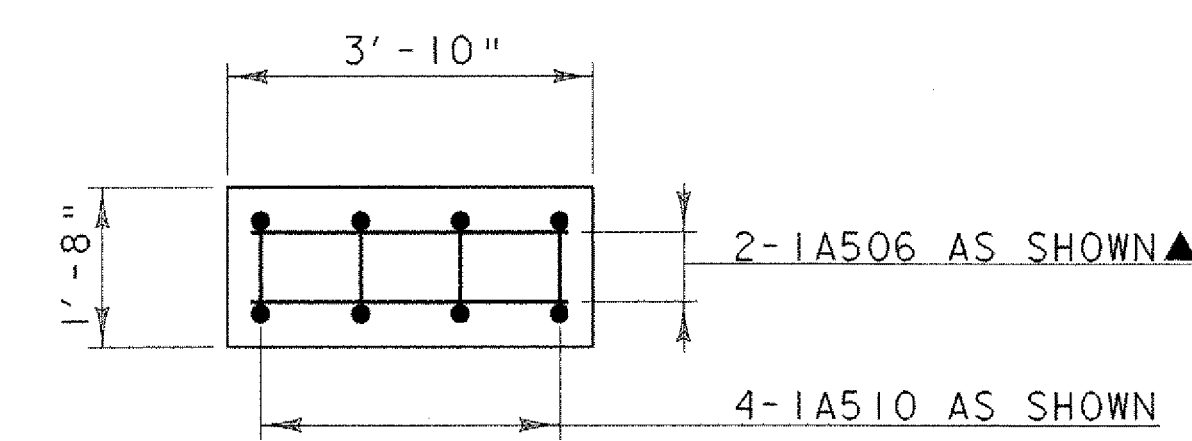
ABUTMENT #1 TYPICAL SECTION

SCALE 1/2" = 1'-0"



ABUTMENT #1 ELEVATION

SCALE 1/4" = 1'-0"



BEARING PEDESTAL

SCALE 1/2" = 1'-0"

BEARING PEDESTAL ELEVATIONS

CL G5	CL G4	CL G3	CL G2	CL G1
473.15 473.07	473.36	473.52	473.37	473.23 473.20

\* ELEVATIONS SHOWN ARE AT BACK OF BACKWALL

NOTE:  
 NF = NEAR FACE  
 FF = FAR FACE  
 EF = EACH FACE  
 ▲ = CUT TO FIT IN FIELD  
 BOXOUTS SHALL BE FORMED IN THE BACKWALL TO ACCOMODATE ALL UTILITIES. SEE UTILITY PLANS ALL LAP SPLICES NOT AND GENERAL NOTES FOR DETAILS. DETAILED SHALL BE 2'-2"

PROJECT NAME: ROYALTON BRZ 1444 (22)  
 PROJECT NUMBER:  
 FILE NAME: 89j099/structures/sj099abi.dgn  
 IPARM NAME: sj099abut1.i  
 PROJECT LEADER: C.P. WILLIAMS  
 DESIGNED BY: W.B. SYMONDS  
 ABUTMENT #1 TYPICAL AND ELEVATION SHEET 50  
 PLOT DATE: 11-AUG-2000  
 DRAWN BY: D.G. BASSETT  
 CHECKED BY: C.P. WILLIAMS