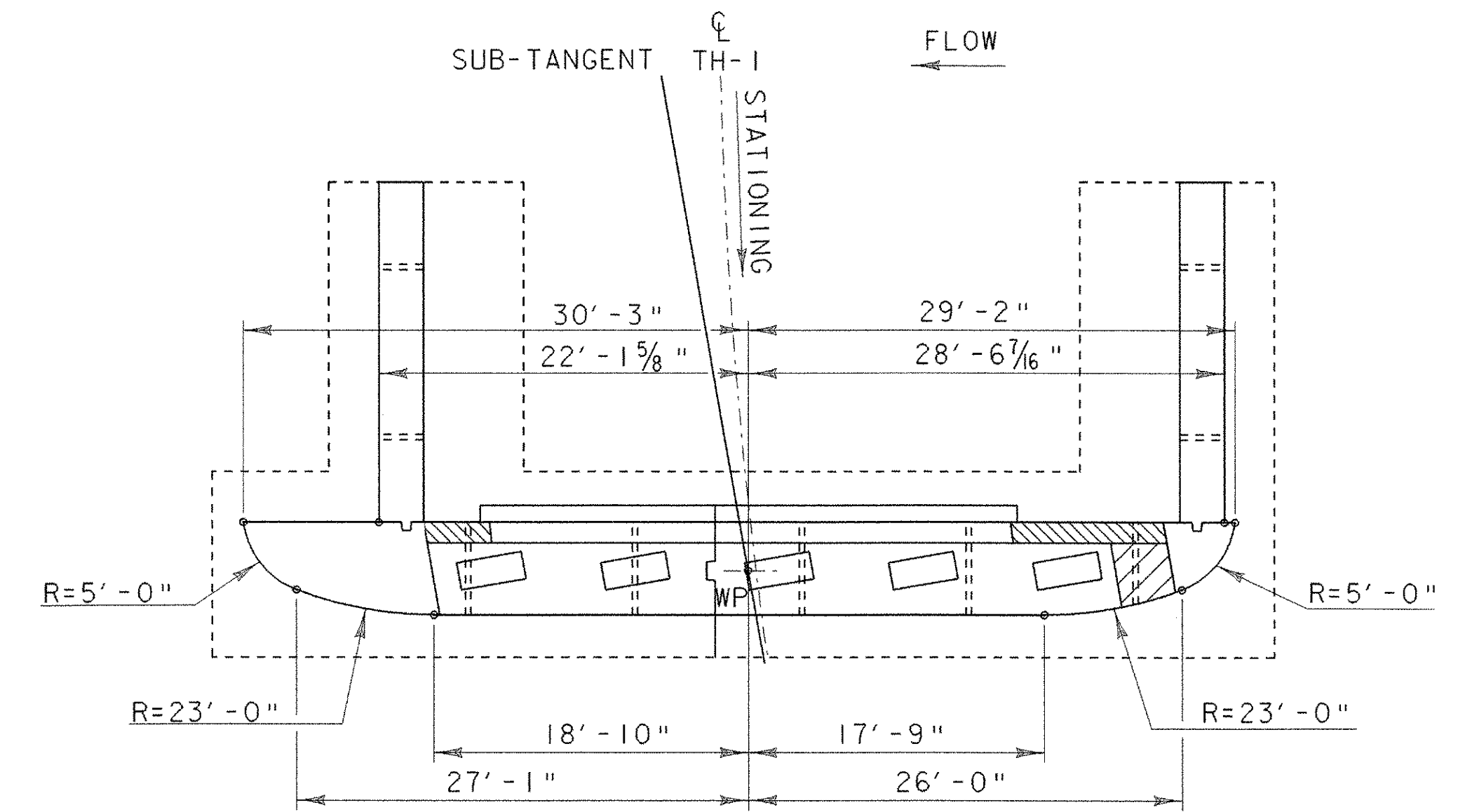


ABUTMENT #1 PLAN

SCALE 1/4" = 1'-0"  
 0 2 4 6



ABUTMENT #1 PLAN  
 ADDITIONAL DIMENSIONS

SCALE 1/8" = 1'-0"  
 0 2 4 6 8

NOTE:

- NF = NEAR FACE
- FF = FAR FACE
- EF = EACH FACE
- ▲ = CUT TO FIT IN FIELD
- PC = POINT OF CURVATURE
- C.J. = CONSTRUCTION JOINT
- ALL LAP SPLICES NOT DETAILED SHALL BE 2'-2"

PROJECT NAME:	ROYALTON BRZ 1444 (22)		
PROJECT NUMBER:			
FILE NAME:	89j099/structures/sj099ab1.dgn	PLOT DATE:	25-SEP-2000
IPARM NAME:	sj099abut1a.i	DRAWN BY:	D.G. BASSETT
PROJECT LEADER:	C.P. WILLIAMS	CHECKED BY:	C.P. WILLIAMS
DESIGNED BY:	C.P. WILLIAMS	SHEET	49 OF 118
ABUTMENT #1 PLAN			

FOR GRANITE FACING DETAILS AND NOTES SEE SHEET 66.