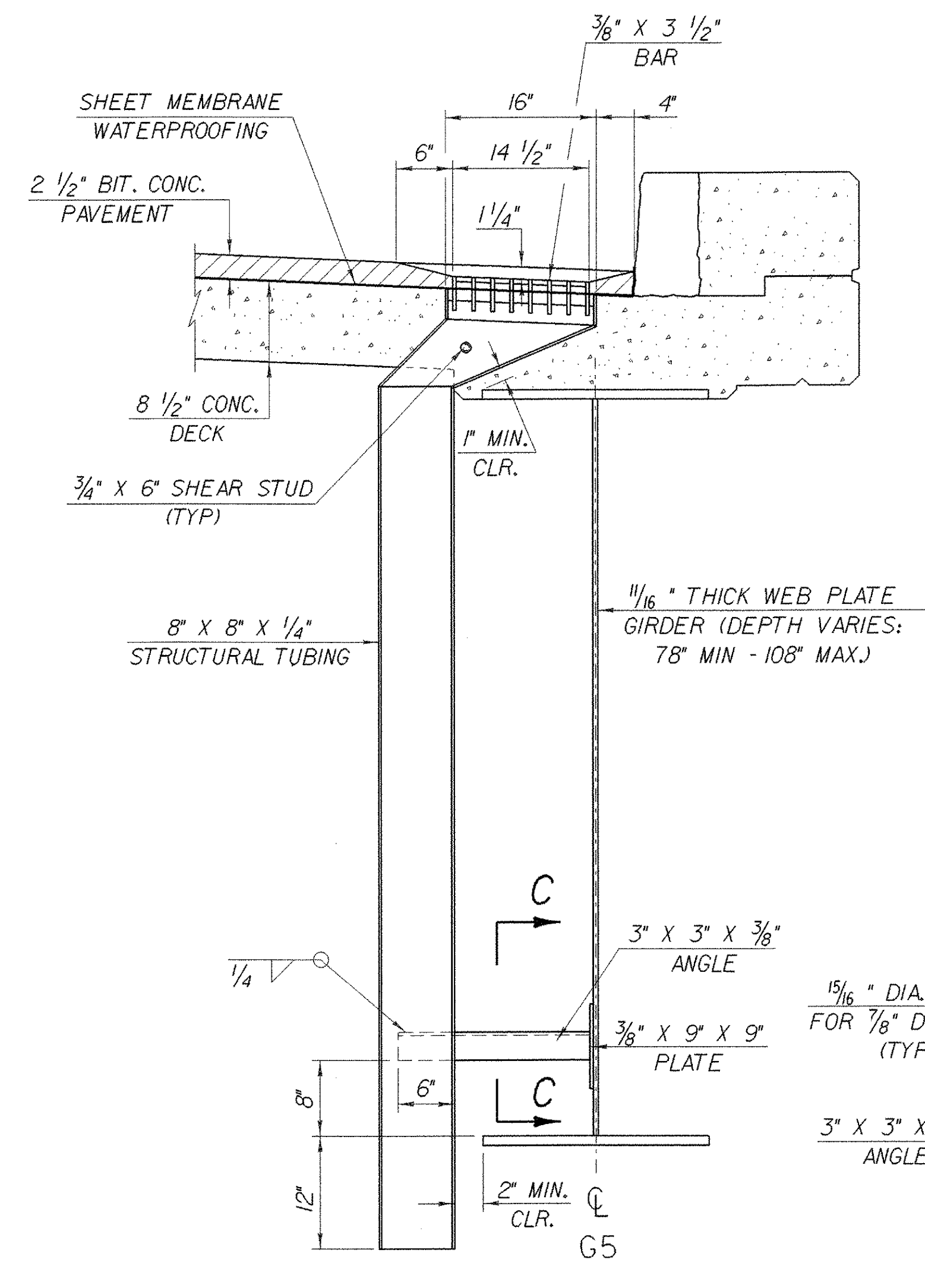
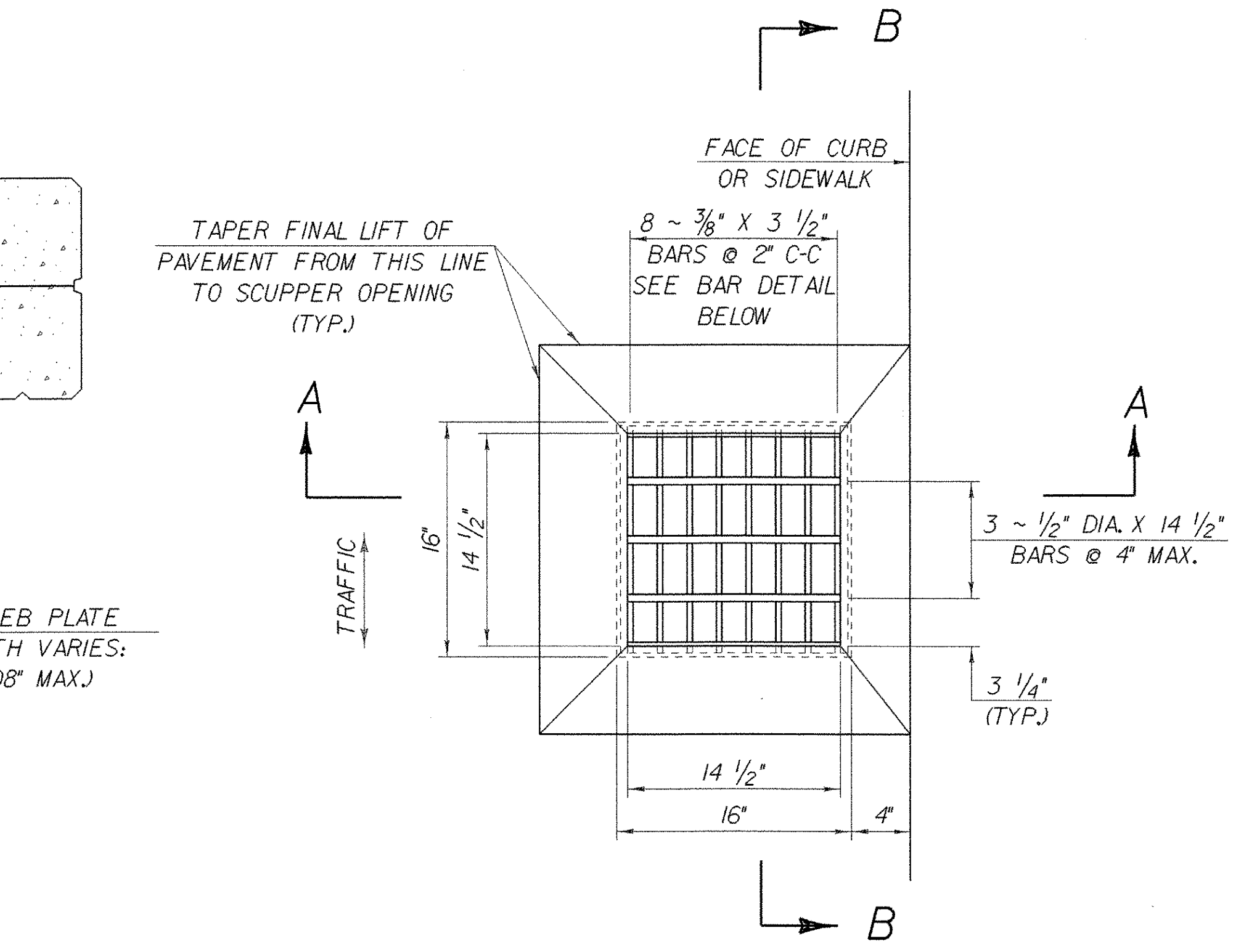


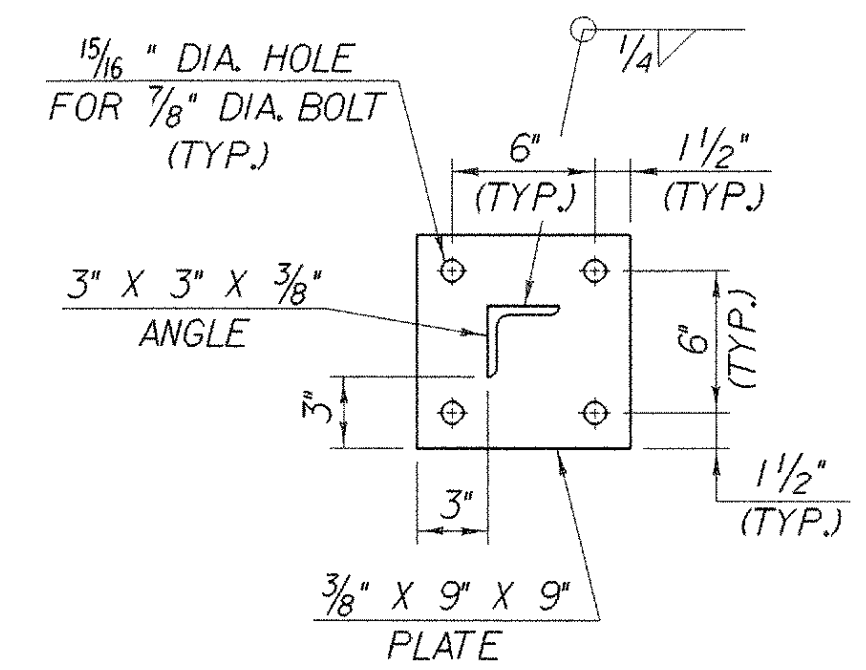
SECTION A - A (AT SIDEWALK)
SCALE: 1" = 1'-0"



SECTION A - A (AT CURB)
SCALE: 1" = 1'-0"

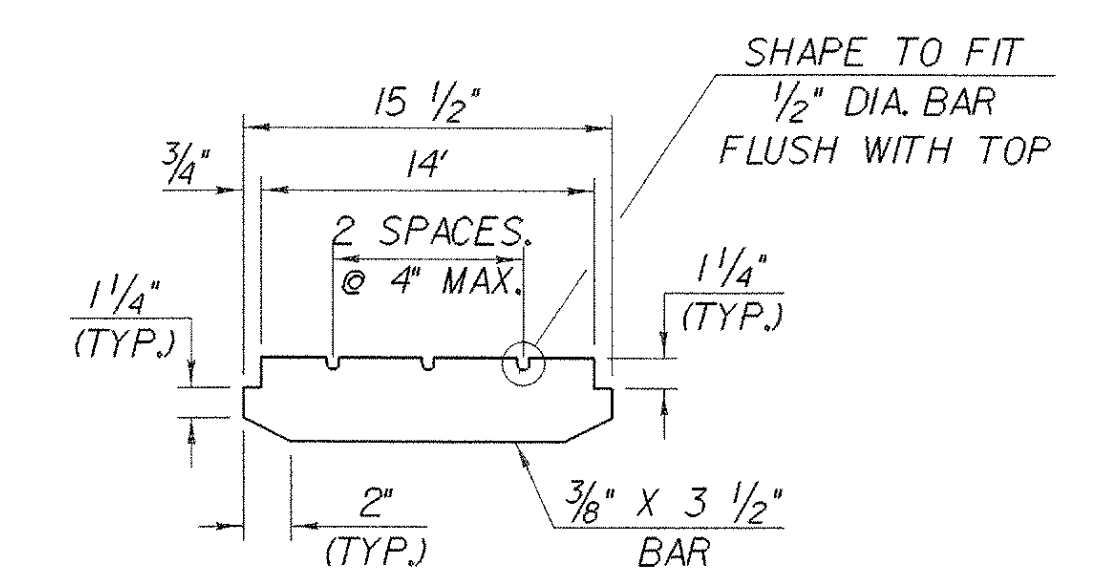


SCUPPER PLAN
SCALE 1 1/2" = 1'-0"



NOTE: HOLES MAY BE FIELD DRILLED IN PLATE GIRDER.

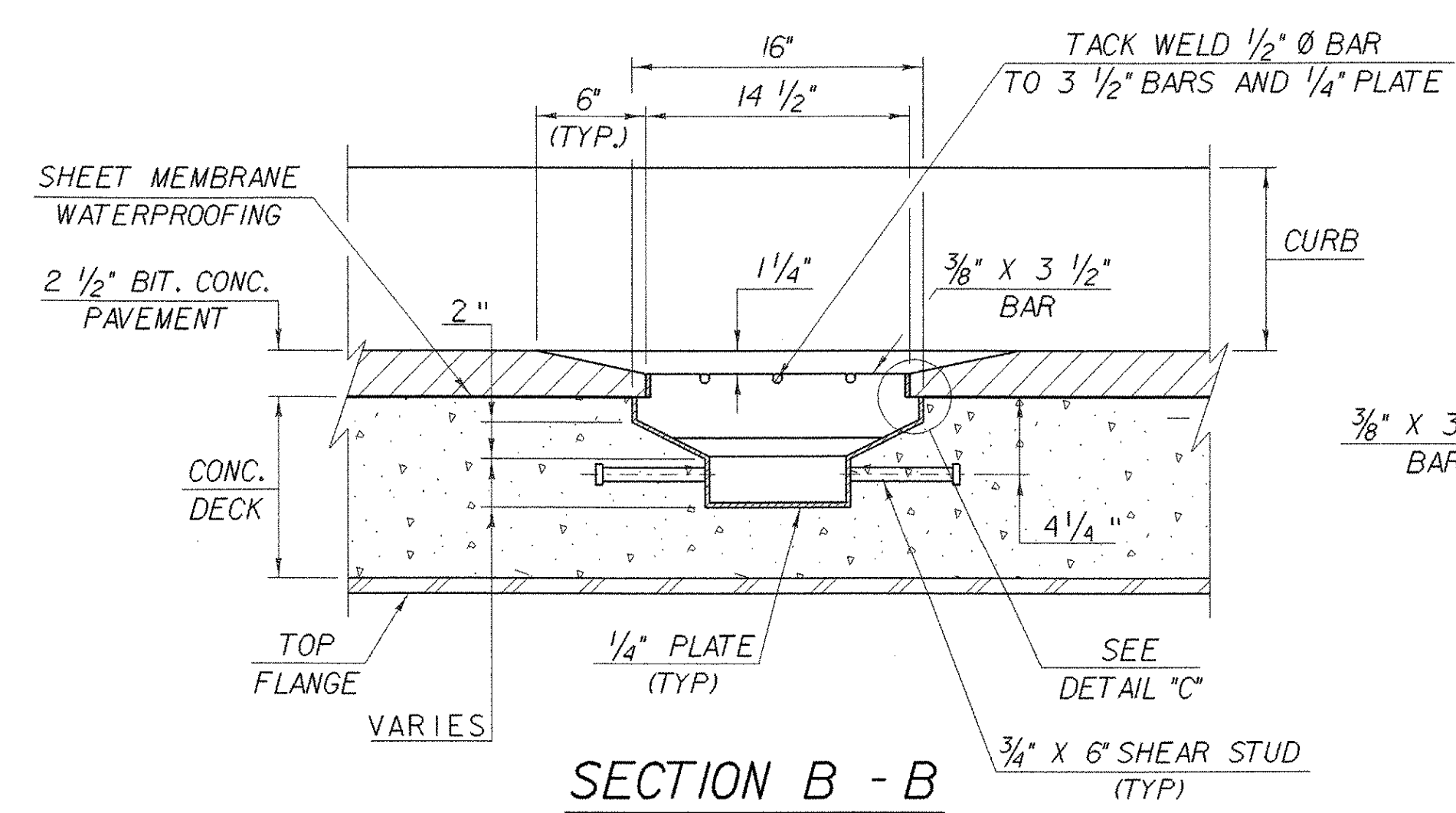
SECTION C - C
SCALE 1 1/2" = 1'-0"



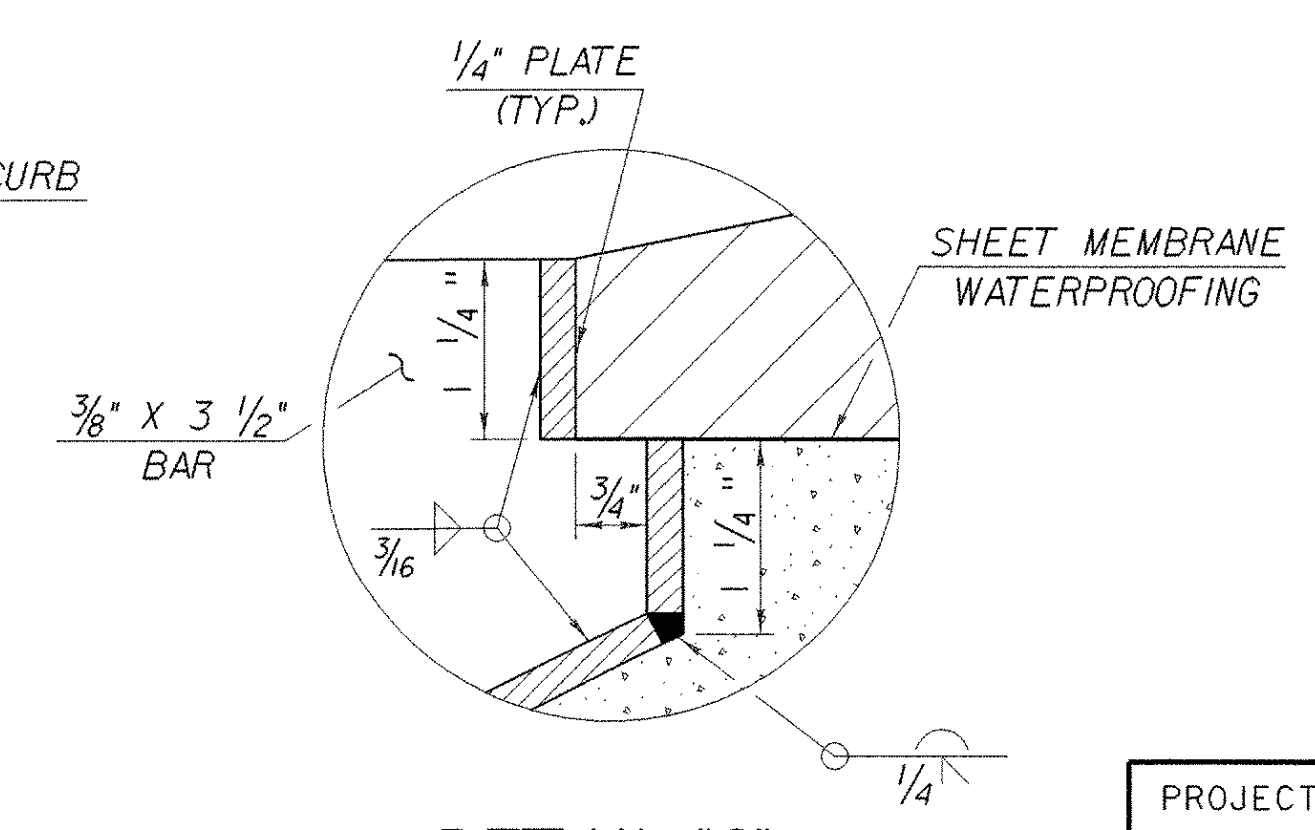
BAR DETAIL FOR GRATE
SCALE 1 1/2" = 1'-0"

SCUPPER AND DOWNSPOUT NOTES

- HOLLOW STRUCTURAL STEEL TUBING SHALL CONFORM TO ASTM A-500 GR. B.
- ALL PLATES, BARS, AND ANGLES SHALL CONFORM TO AASHTO M 270/M 270M GR. 36.
- ALL SCUPPERS, DOWNSPOUTS & SUBSTRUCTURE DRAINS SHALL BE GALVANIZED IN ACCORDANCE WITH AASHTO M 111M/M 111 AFTER FABRICATION.
- THE TOP SURFACE OF SCUPPER SHALL BE SLOPED TO MATCH ROADWAY SLOPE AND GRADE.
- THE BAR AND GRATE SECTION MAY BE PREFABRICATED PROVIDING THE GEOMETRY AND SECTION PROPERTIES ARE EQUIVALENT TO THE DETAILS SHOWN.
- SCUPPERS & DOWNSPOUTS SHALL BE PAID FOR UNDER ITEM 506.60 "STRUCTURAL STEEL".
- ALL REQUIRED WELDS FOR SCUPPERS & DOWNSPOUTS SHALL BE DETAILED ON SHOP DRAWINGS WHICH SHALL ALSO INCLUDE ALL APPLICABLE WELDING PROCEDURES.
- AFTER ALL PAVING AND CONCRETING OPERATIONS THE SCUPPERS & DOWNSPOUTS SHALL BE CLEANED OF ALL CONTAMINATION BY FLUSHING.
- SCUPPER CONNECTION BOLTS SHALL BE 7/8" Ø AASHTO M 164/M 164M, TYPE 111.



SECTION B - B
SCALE 1 1/2" = 1'-0"



DETAIL "C"
NTS

SCUPPER LOCATION
STA. 104 + 93 LT. & RT.
STA. 107 + 68 LT. & RT.
(SEE PLAN & ELEVATION ON SHEET 23)

PROJECT NAME: ROYALTON BRZ 1444 (22)
PROJECT NUMBER:
FILE NAME: 90j099/structures/sj099scu.dgn PLOT DATE: 25-SEP-2000
IPARM NAME: sj099scu.i DRAWN BY: K. M. HIGGINS
PROJECT LEADER: C. P. WILLIAMS CHECKED BY: W. B. SYMONDS
DESIGNED BY: K. M. HIGGINS SHEET 46 OF 118
SCUPPER DETAILS