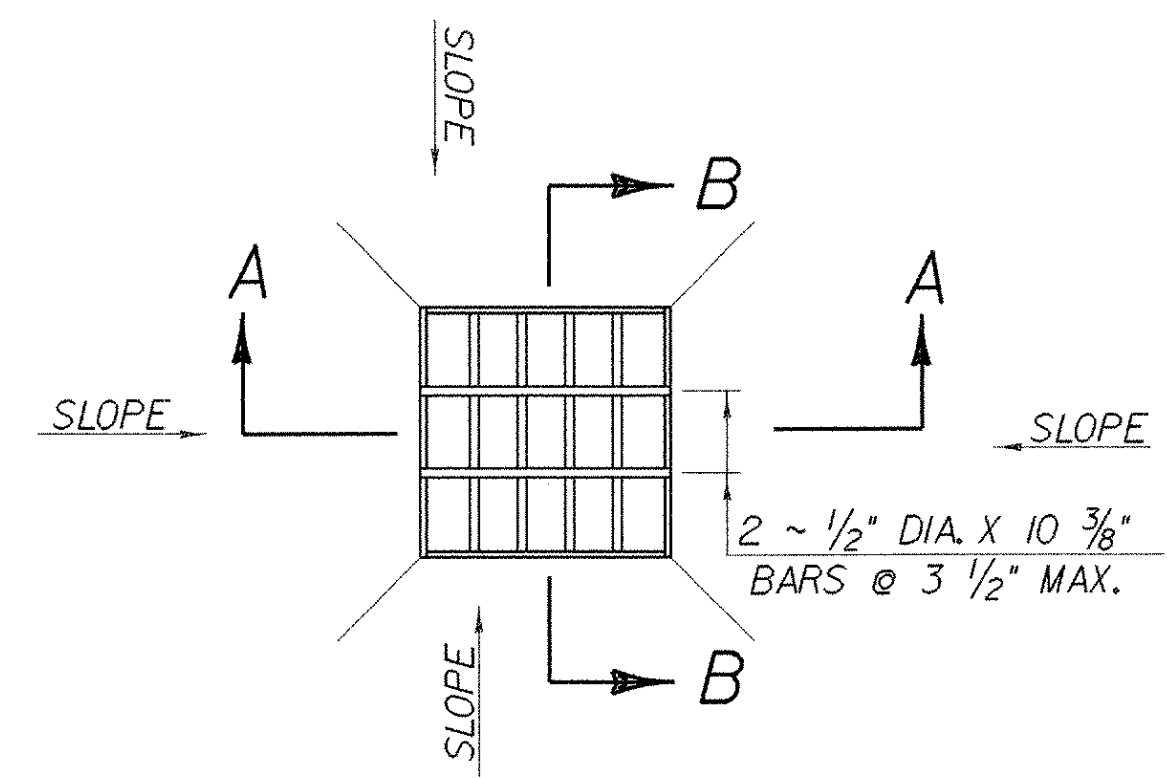


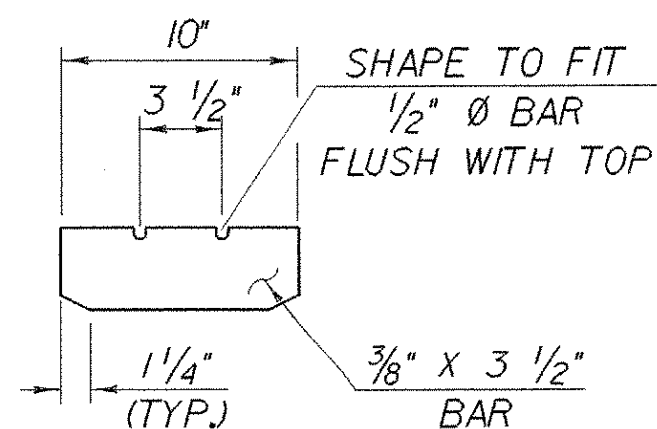
SLEEVE DETAILS

SCALE 3" = 1'-0"



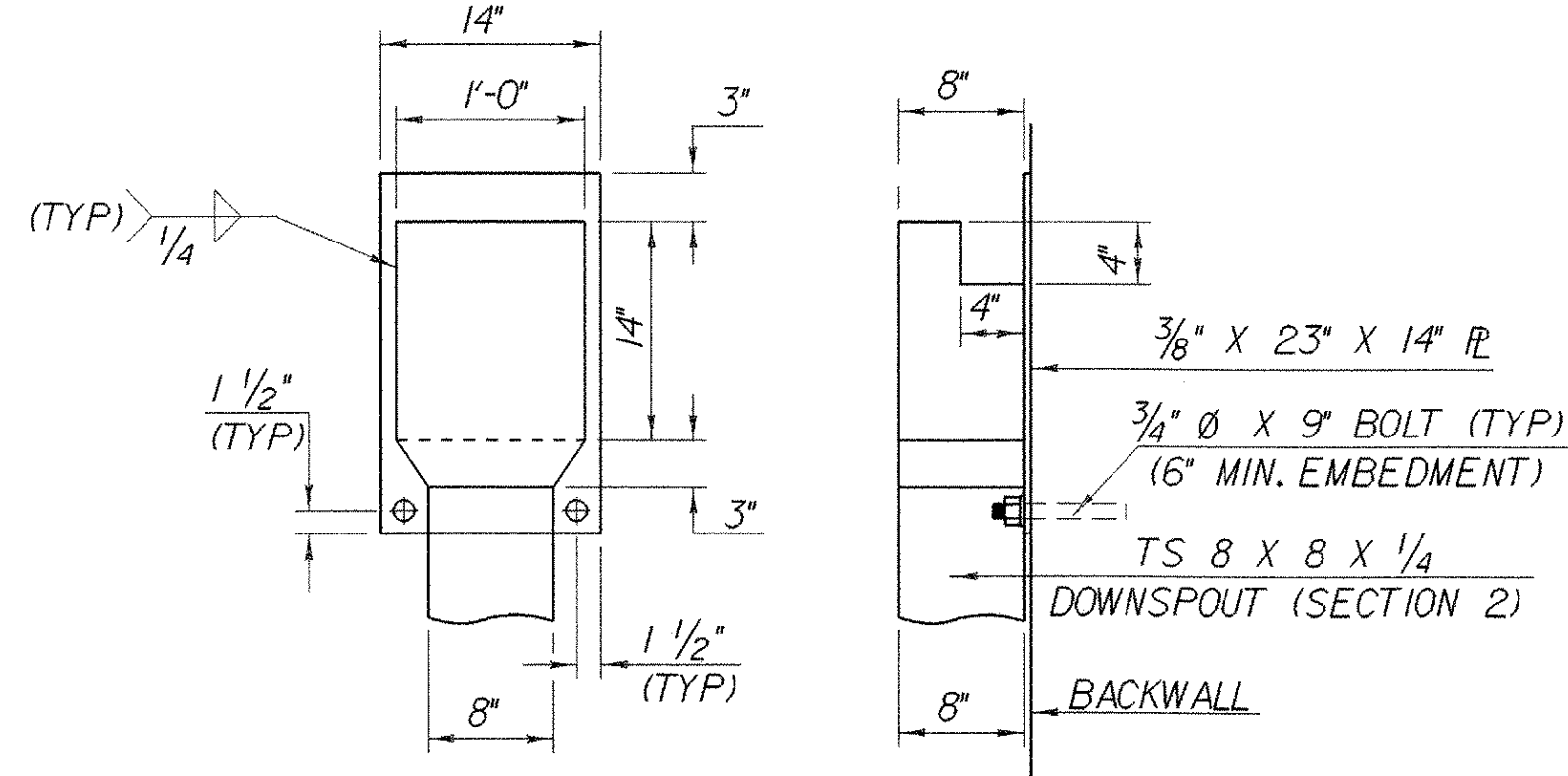
SUBSTRUCTURE DRAIN PLAN

SCALE 1 1/2" = 1'-0"



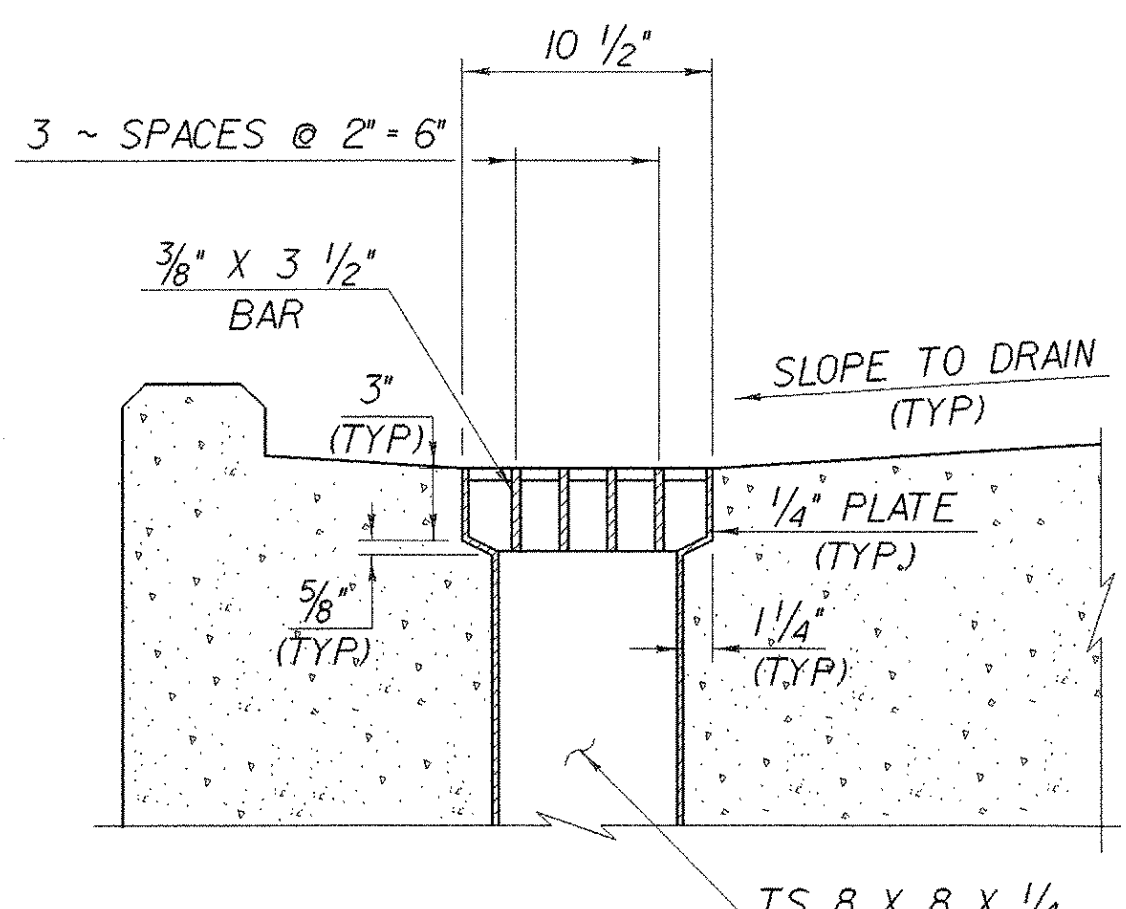
BAR DETAIL FOR SUBSTRUCTURE DRAIN GRATE

SCALE 1 1/2" = 1'-0"



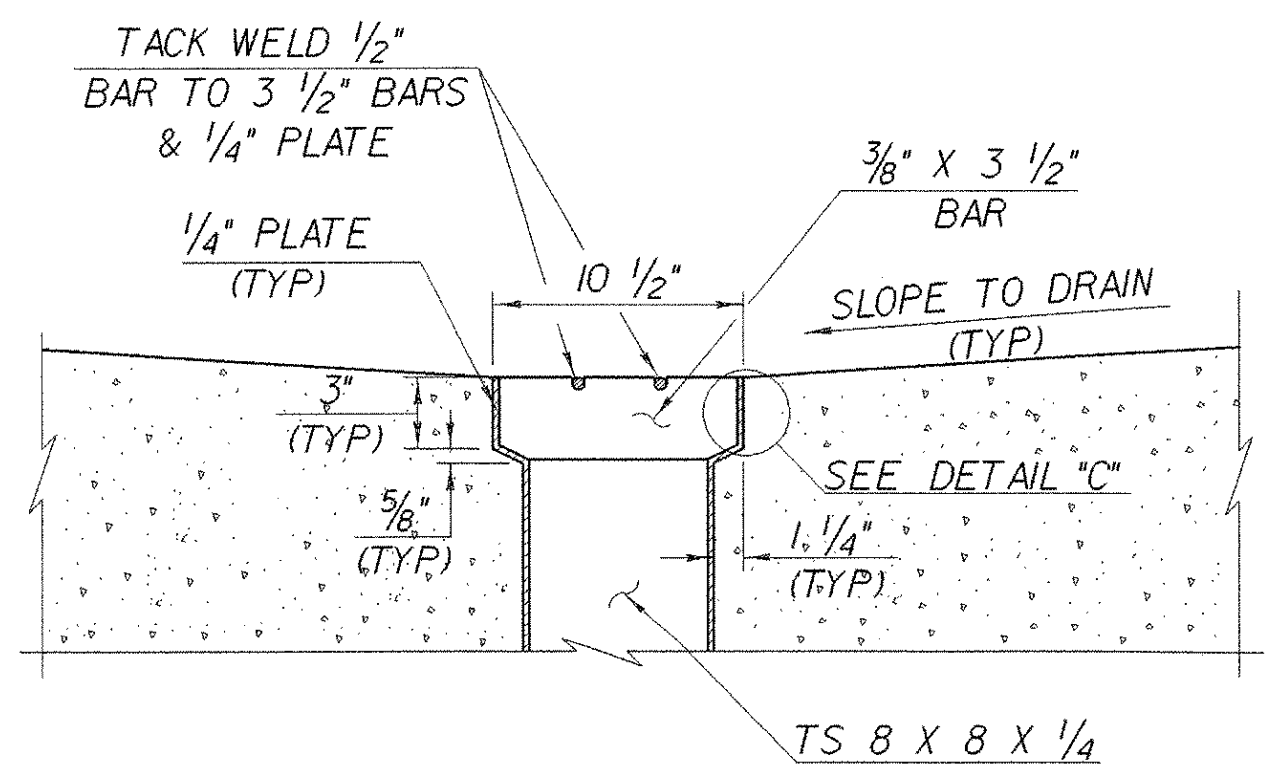
HOPPER DETAILS

SCALE 1" = 1'-0"



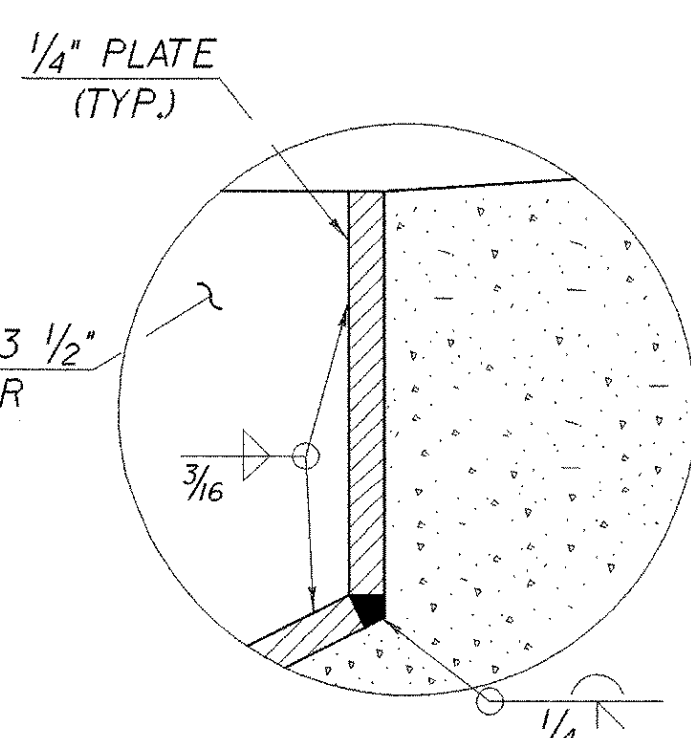
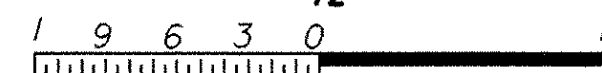
SECTION A - A

SCALE 1 1/2" = 1'-0"



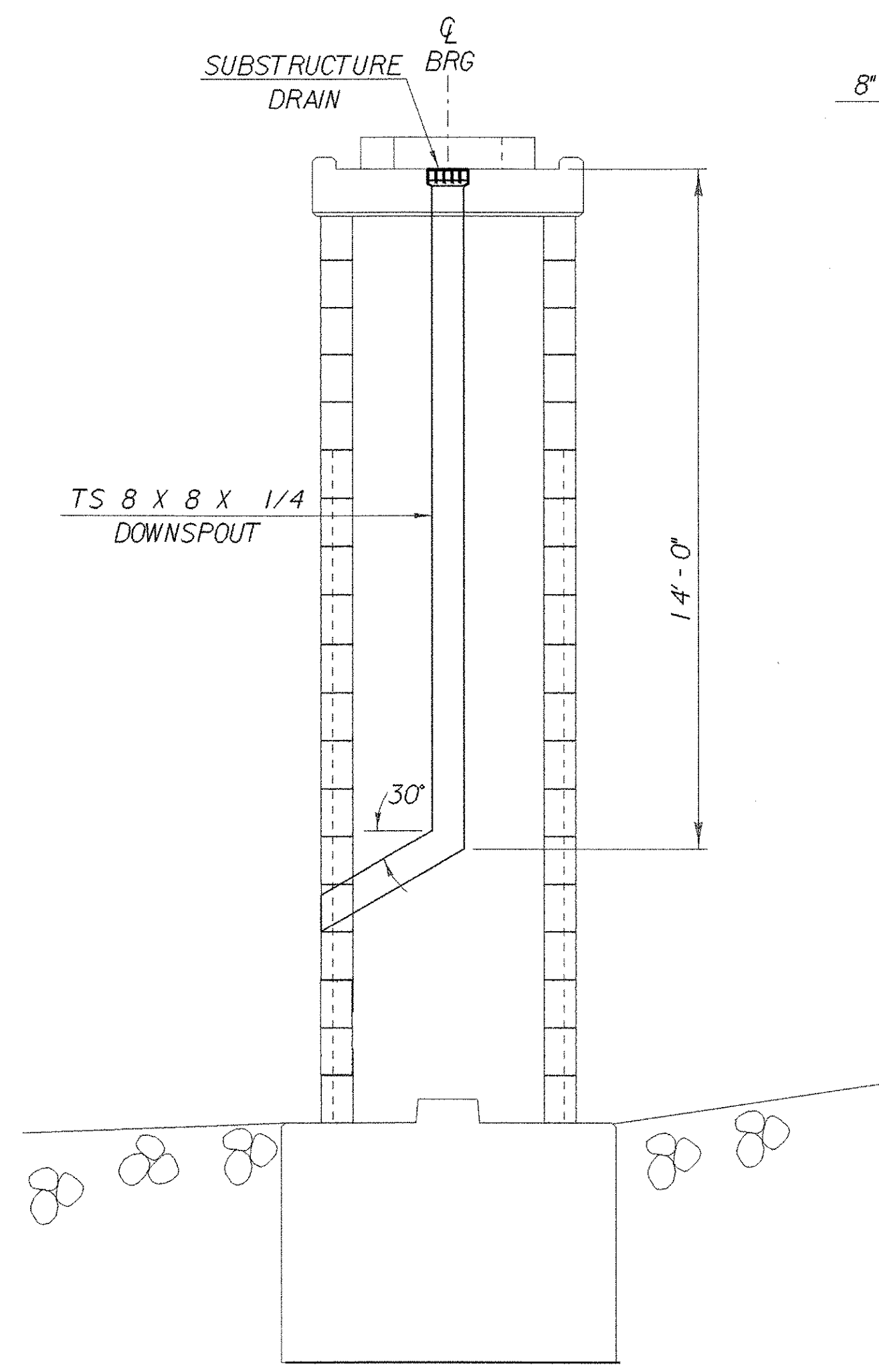
SECTION B - B

SCALE 1 1/2" = 1'-0"



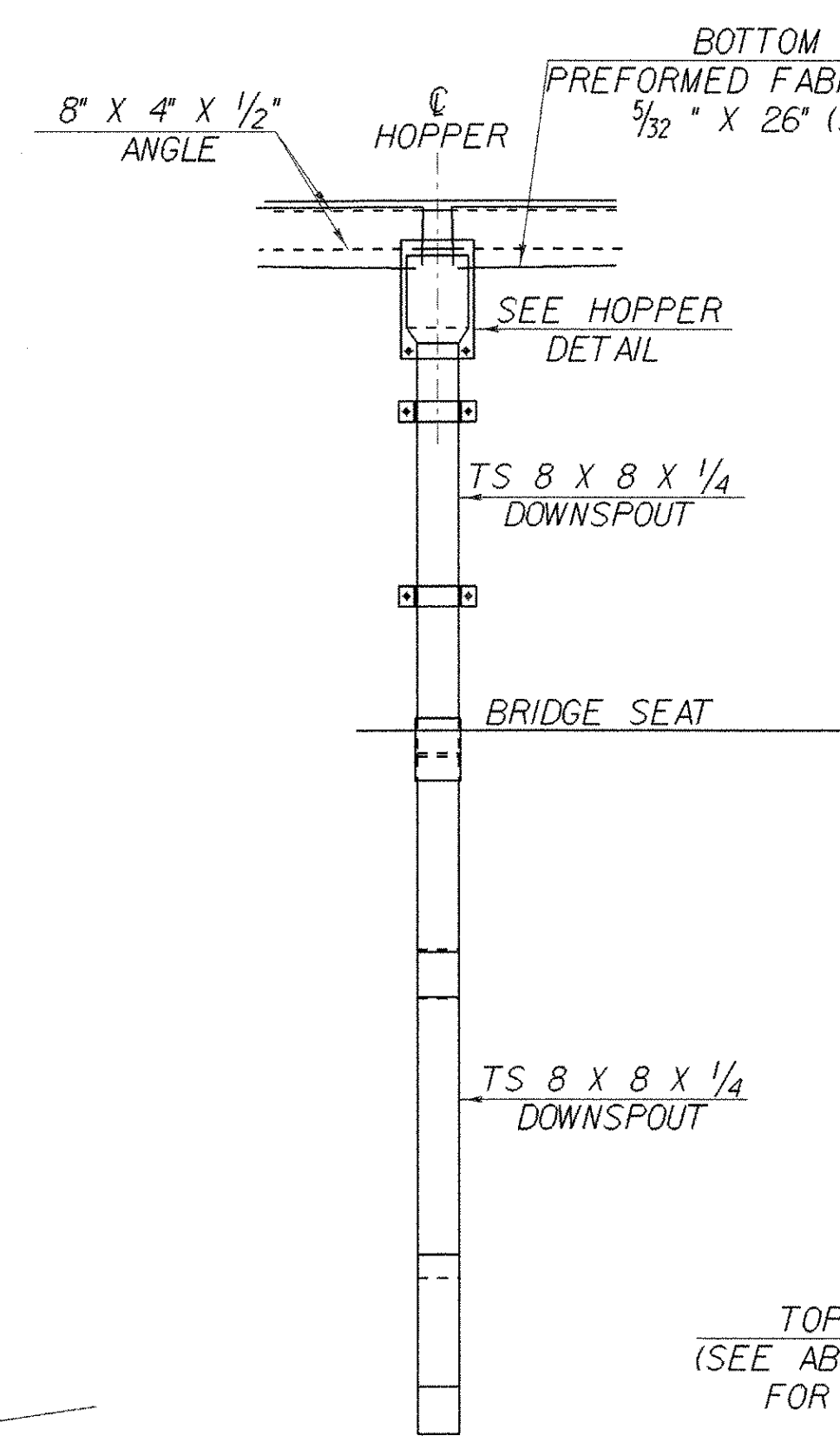
DETAIL "C"

NTS



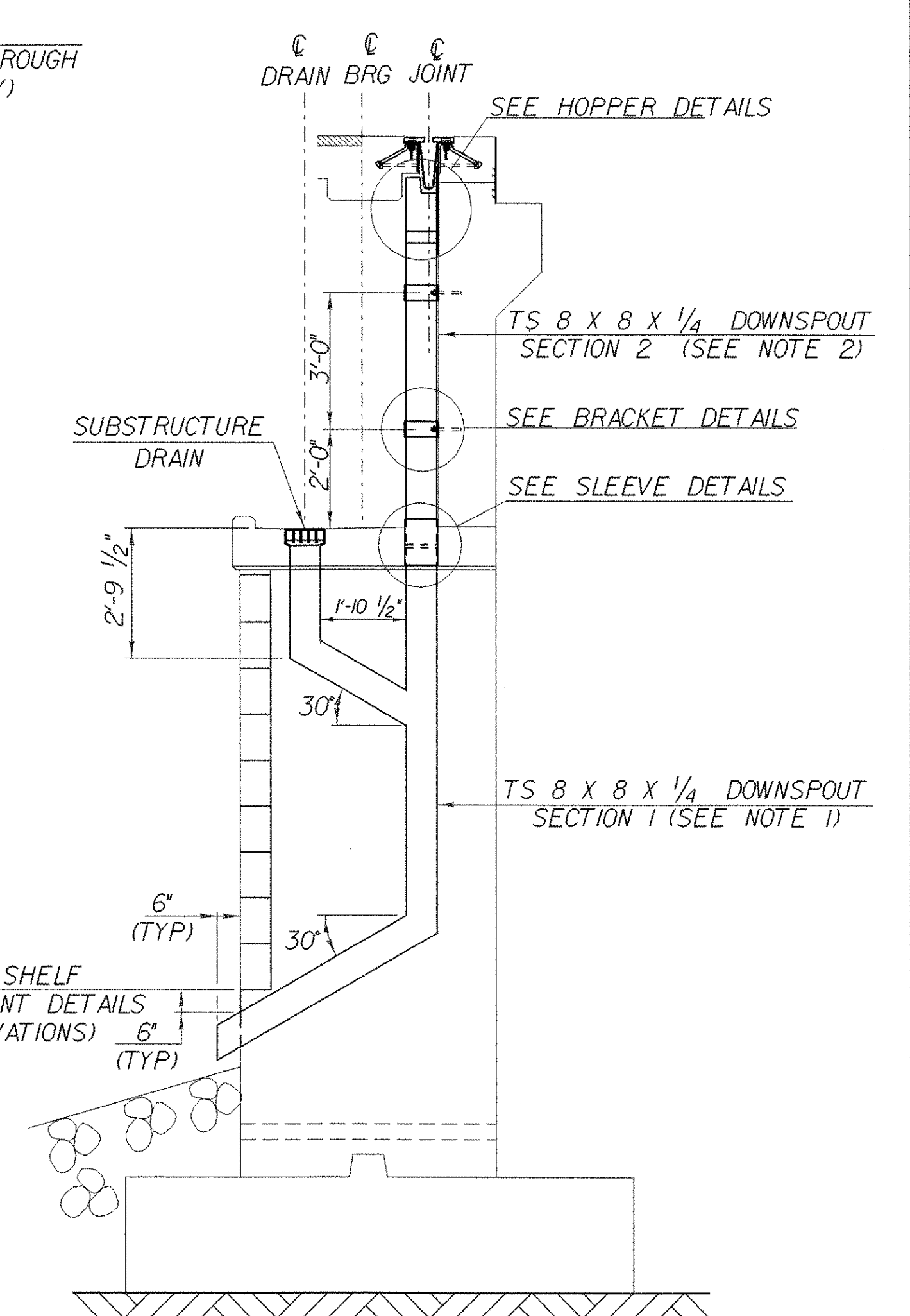
TYPICAL SECTION THROUGH DOWNSPOUT @ PIER

SCALE 3/8" = 1'-0"



ABUTMENT DOWNSPOUT ELEVATION

SCALE 3/8" = 1'-0"

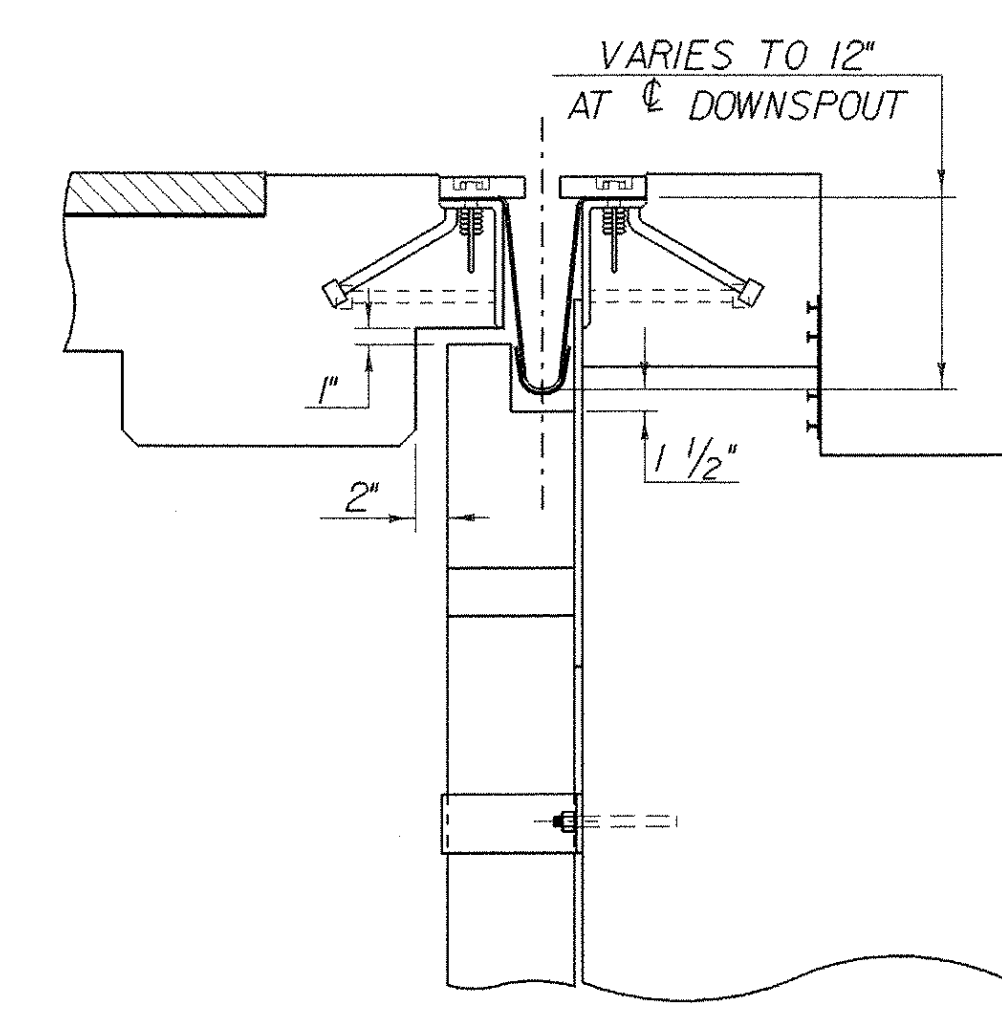
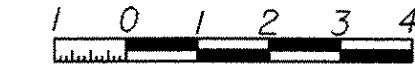


NOTES:

1. WELD SLEEVE TO DOWNSPOUT SECTION 1 AND CAST INTO ABUTMENT.
2. SLIDE DOWNSPOUT SECTION 2 INTO SLEEVE AND ADJUST TO DESIRED ELEVATION.

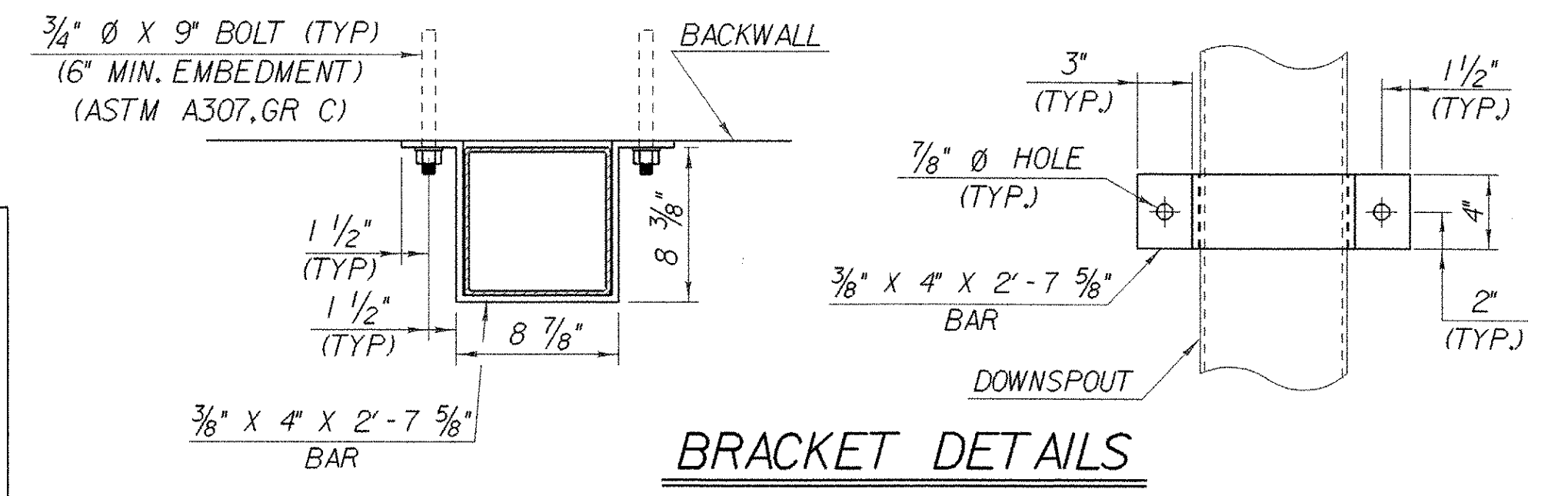
TYPICAL SECTION THROUGH DOWNSPOUT @ ABUTMENT NO. 2 (ABUTMENT NO. 1 SIMILAR)

SCALE 3/8" = 1'-0"



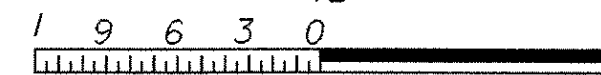
BLOCKOUT DETAILS

SCALE 1 1/2" = 1'-0"



BRACKET DETAILS

SCALE 1 1/2" = 1'-0"



PROJECT NAME:	ROYALTON BRZ 1444 (22)		
PROJECT NUMBER:			
FILE NAME:	89j099/structures/sj099joint.dgn	PLOT DATE:	25-SEP-2000
IPARM NAME:	sj099hop.i	DRAWN BY:	KMH
PROJECT LEADER:	C.P. WILLIAMS	CHECKED BY:	W.B. SYMONDS
DESIGNED BY:	K.M. HIGGINS	SHEET 45 OF 118	
HOPPER/DOWNSPOUT DETAILS			