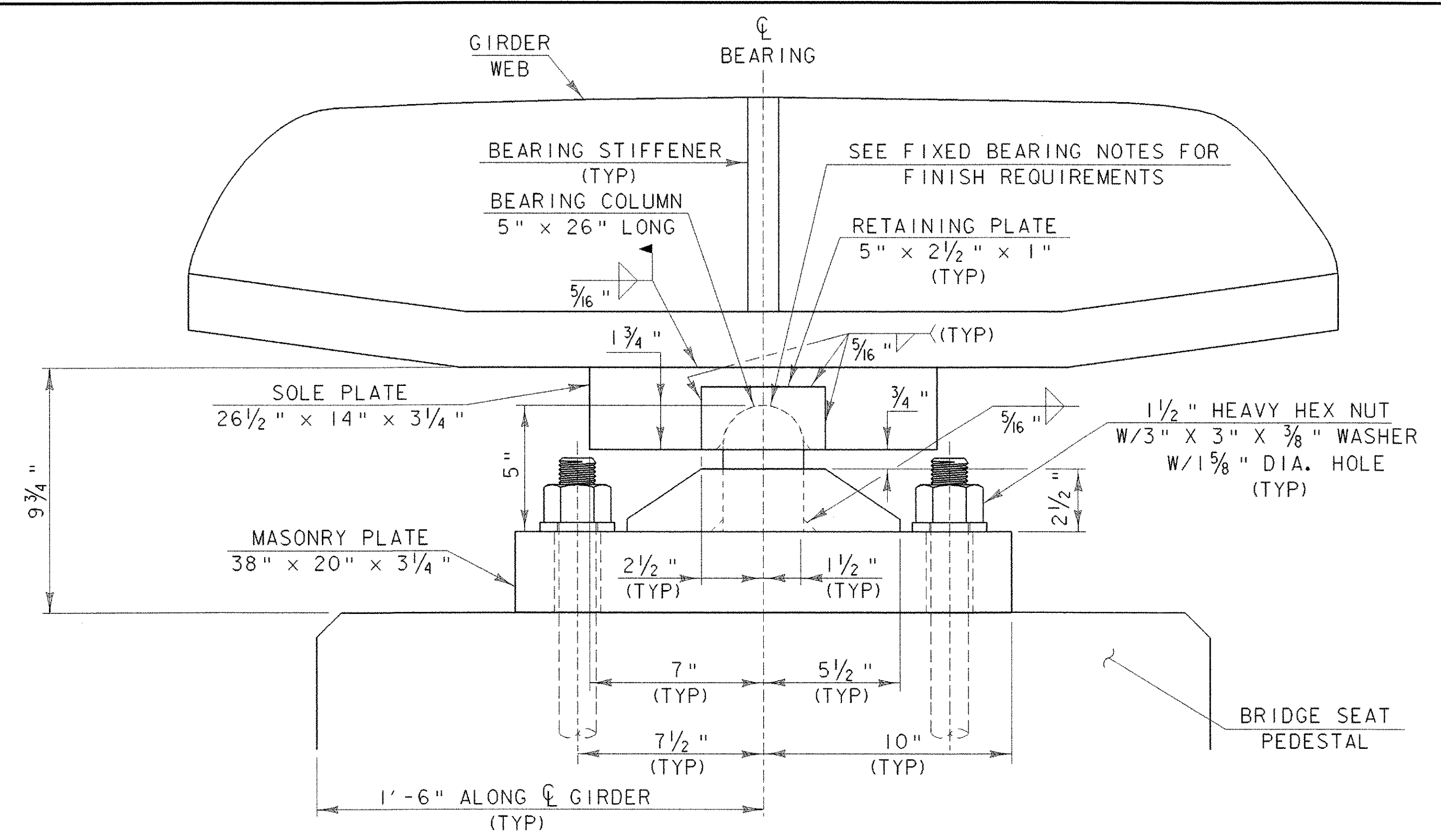
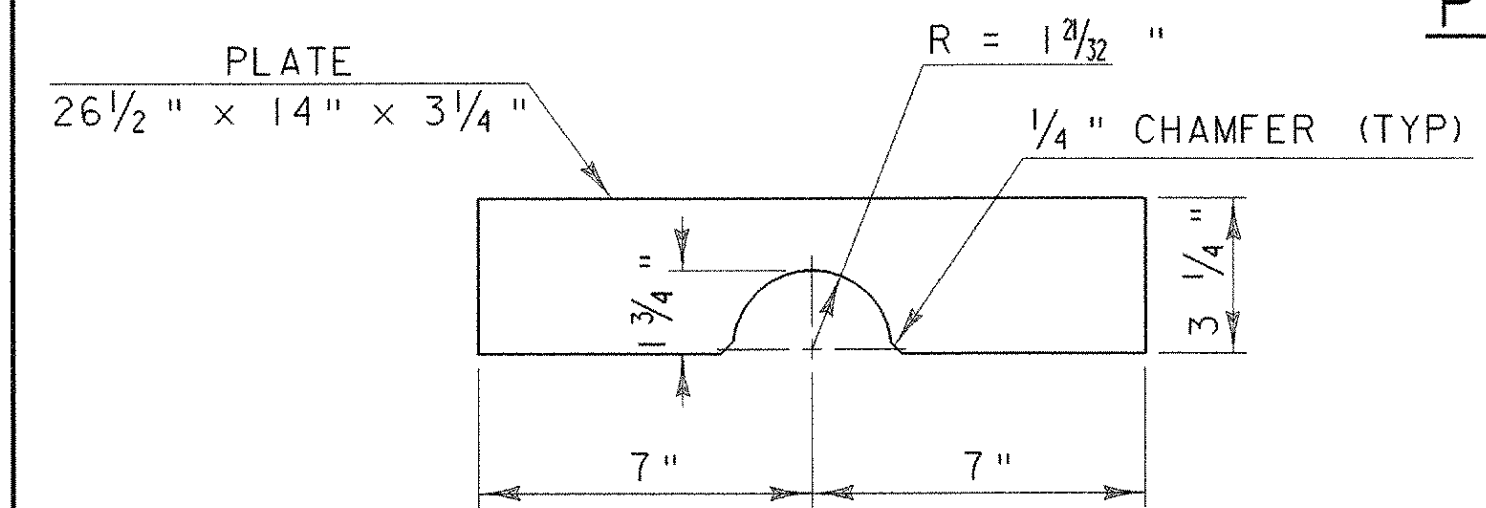


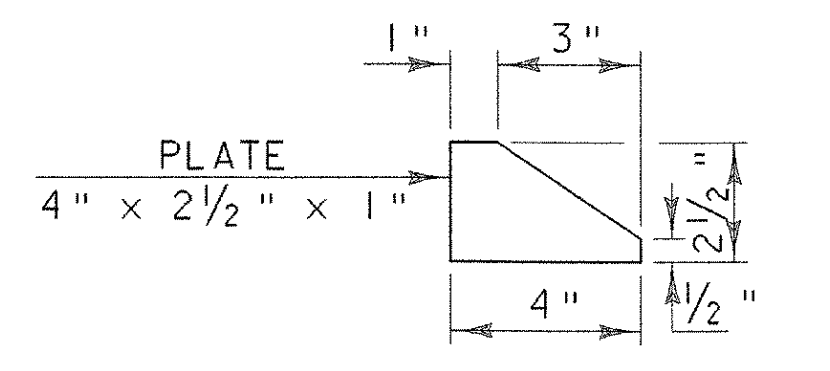
PLAN VIEW



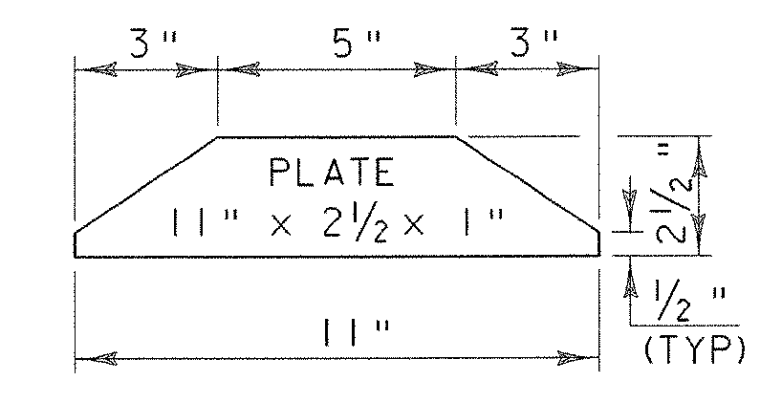
SIDE ELEVATION



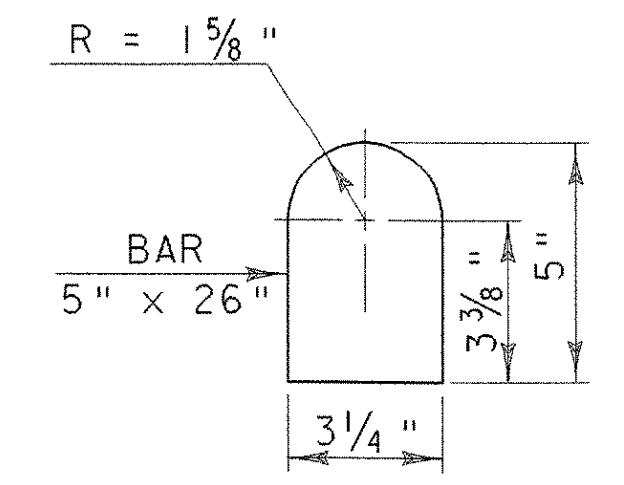
SOLE PLATE DETAIL



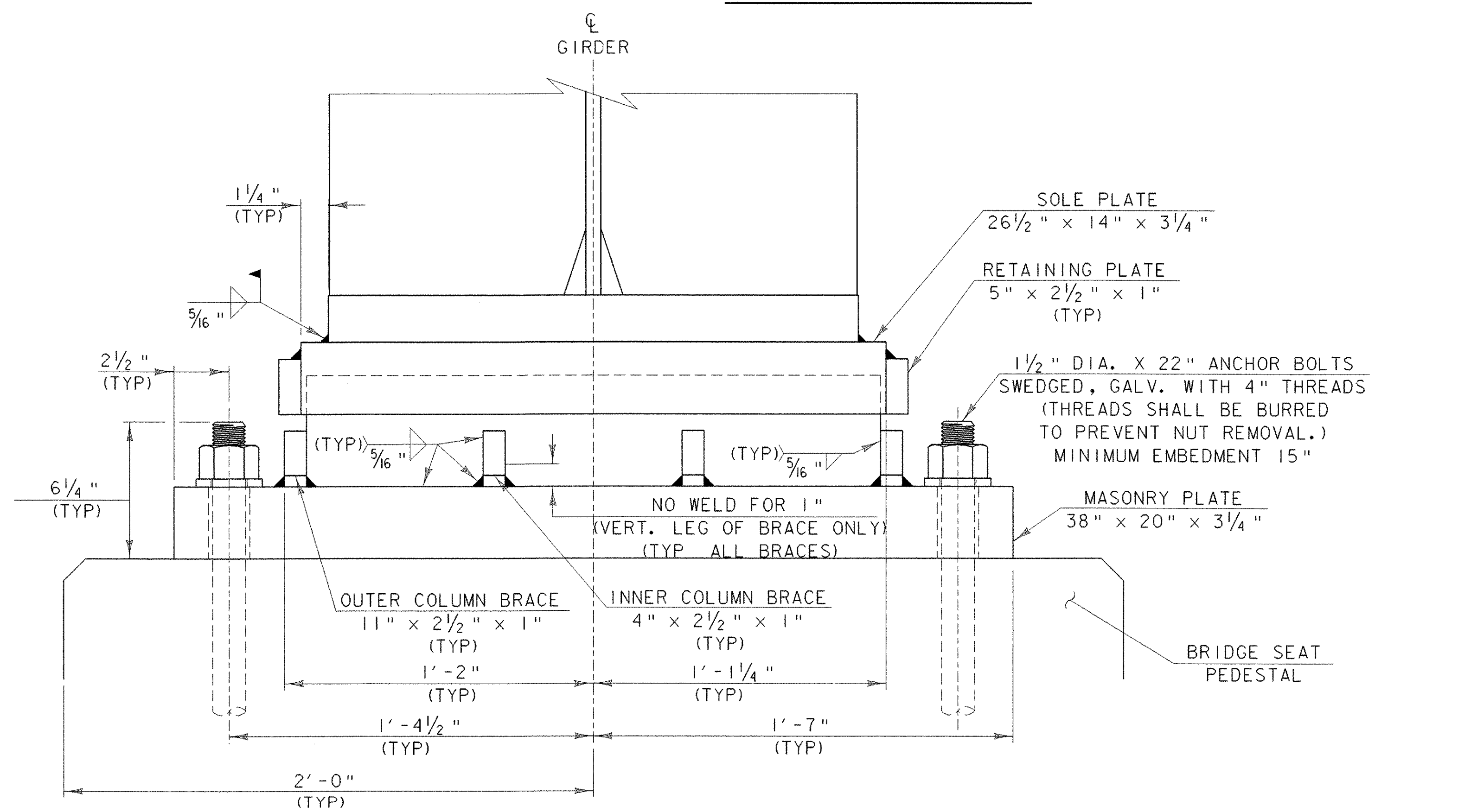
INNER COLUMN BRACE DETAIL
(4 REQUIRED)



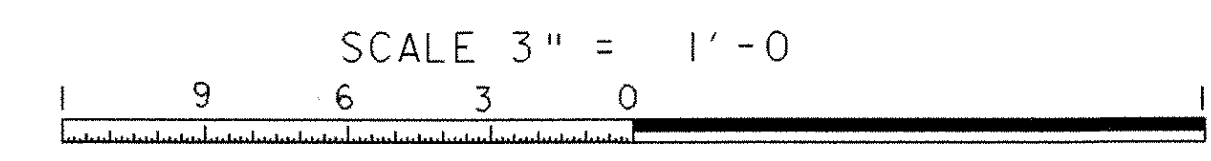
OUTER COLUMN BRACE DETAIL
(2 REQUIRED)



BEARING COLUMN DETAIL



FRONT ELEVATION



PROJECT NAME: ROYALTON BRZ 1444 (22)
 PROJECT NUMBER:
 FILE NAME: 89j099/structures/sj099bearing.dgn PLOT DATE: 25-SEP-2000
 IPARM NAME: sj099brgpier.i DRAWN BY: R. S. YOUNG
 PROJECT LEADER: C. P. WILLIAMS DESIGNED BY: R. S. YOUNG CHECKED BY: W. B. SYMONDS
 PIER FIXED BEARING DETAIL SHEET 40 OF 118

SEE SHEET 41 FOR BEARING NOTES.