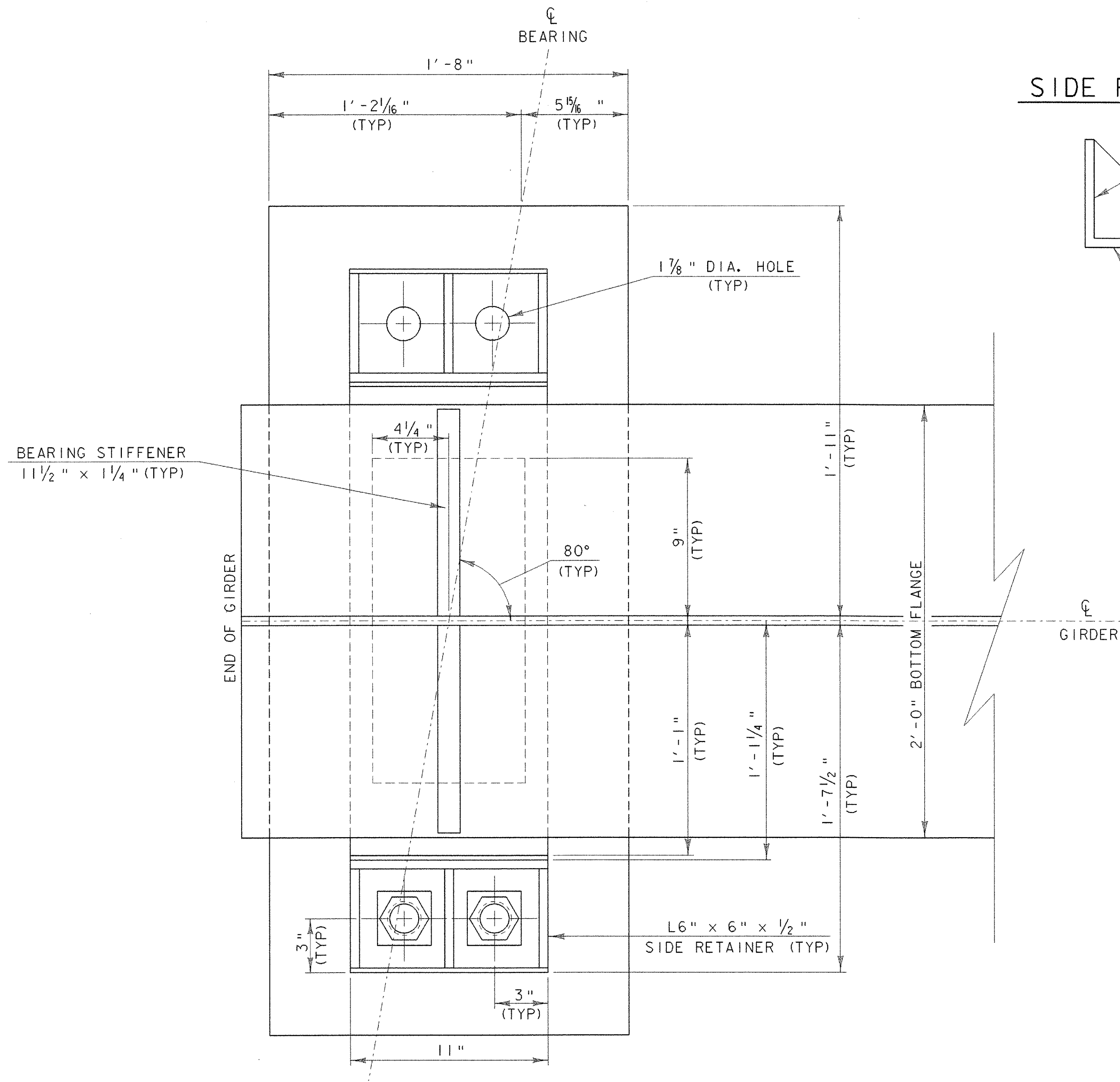
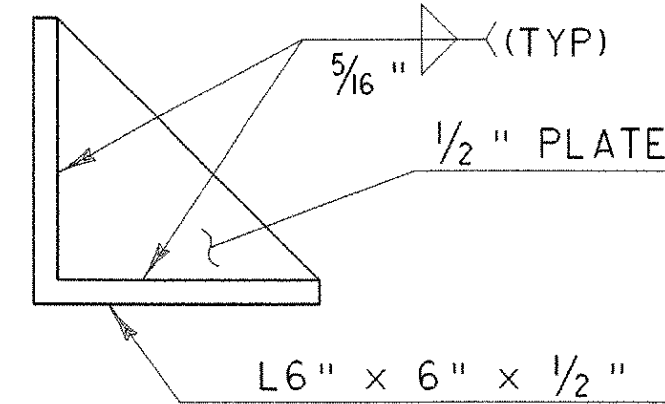


NOTE: THE DETAILS SHOWN ARE FOR ABUTMENT #1 EXPANSION BEARING. THESE DETAILS SHALL APPLY FOR ABUTMENT #2 BEARING WITH DIMENSIONS OPPOSITE HAND

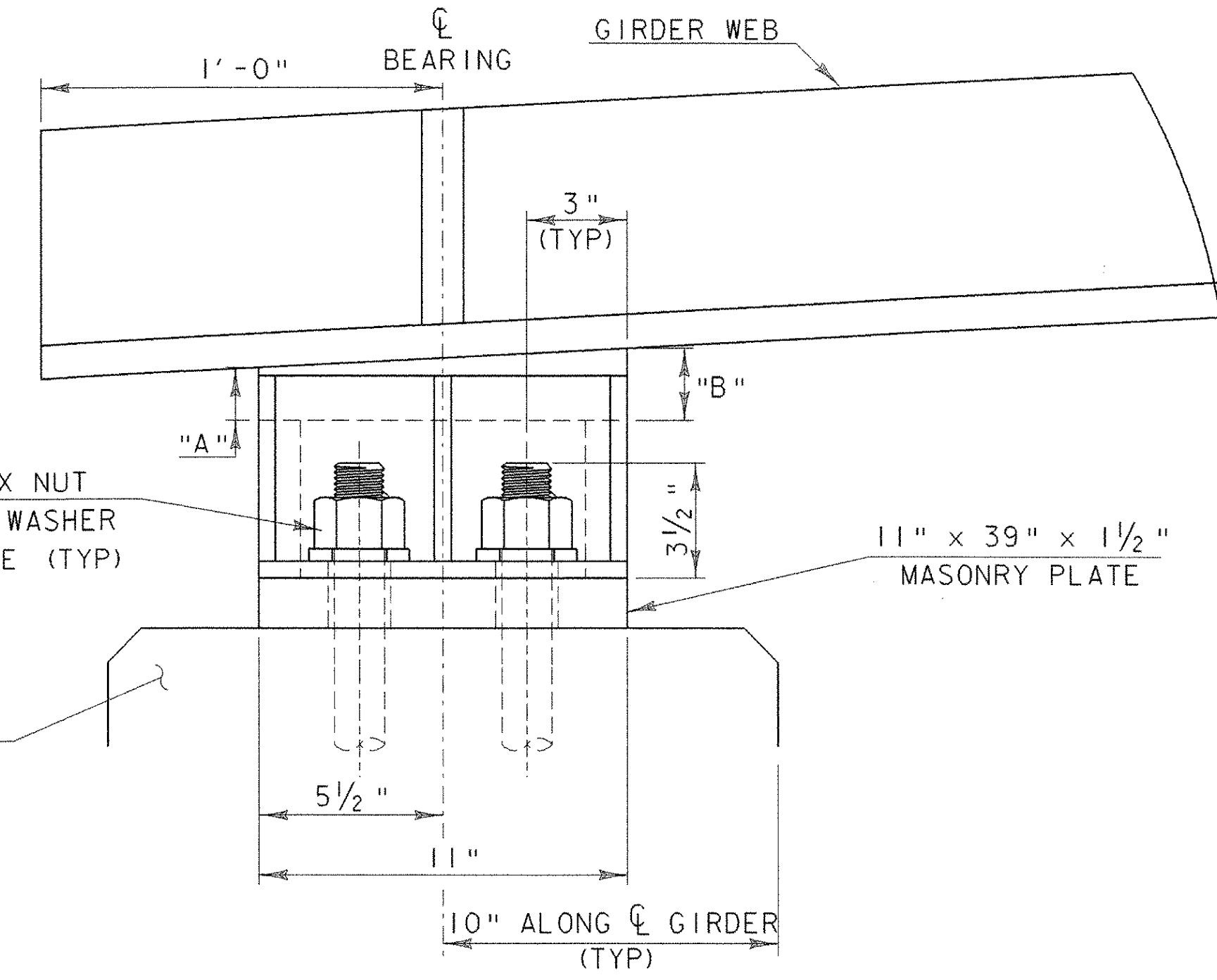


PLAN VIEW

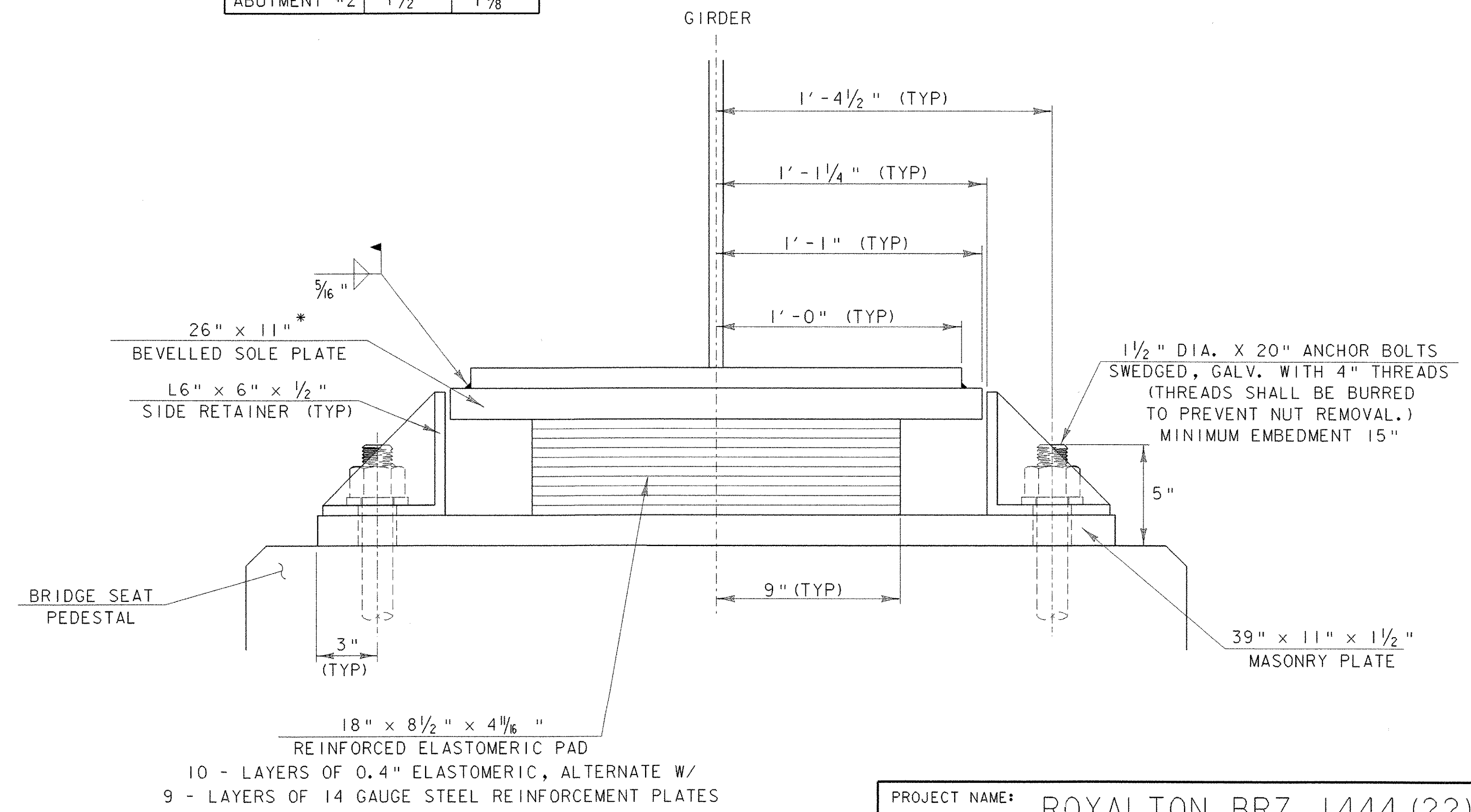
SIDE RETAINER



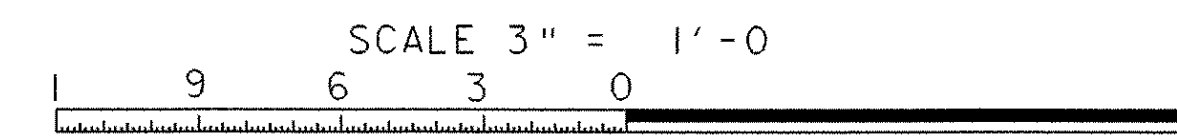
* BEVEL PLATE THICKNESS		
	"A"	"B"
ABUTMENT #1	1 1/2"	1 9/16"
ABUTMENT #2	1 1/2"	1 5/8"



SIDE ELEVATION



FRONT ELEVATION



SEE SHEET 41 FOR BEARING NOTES

PROJECT NAME: ROYALTON BRZ 1444 (22)
 PROJECT NUMBER:
 FILE NAME: 89j099/structures/sj099bear ing.dgn
 IPARM NAME: sj099abutbear ing.i
 PROJECT LEADER: C.P. WILLIAMS
 DESIGNED BY: W.B. SYMONDS
 EXPANSION BEARING DETAILS
 PLOT DATE: 25-SEP-2000
 DRAWN BY: P.R. ROWE
 CHECKED BY: W.B. SYMONDS
 SHEET 39 OF 118