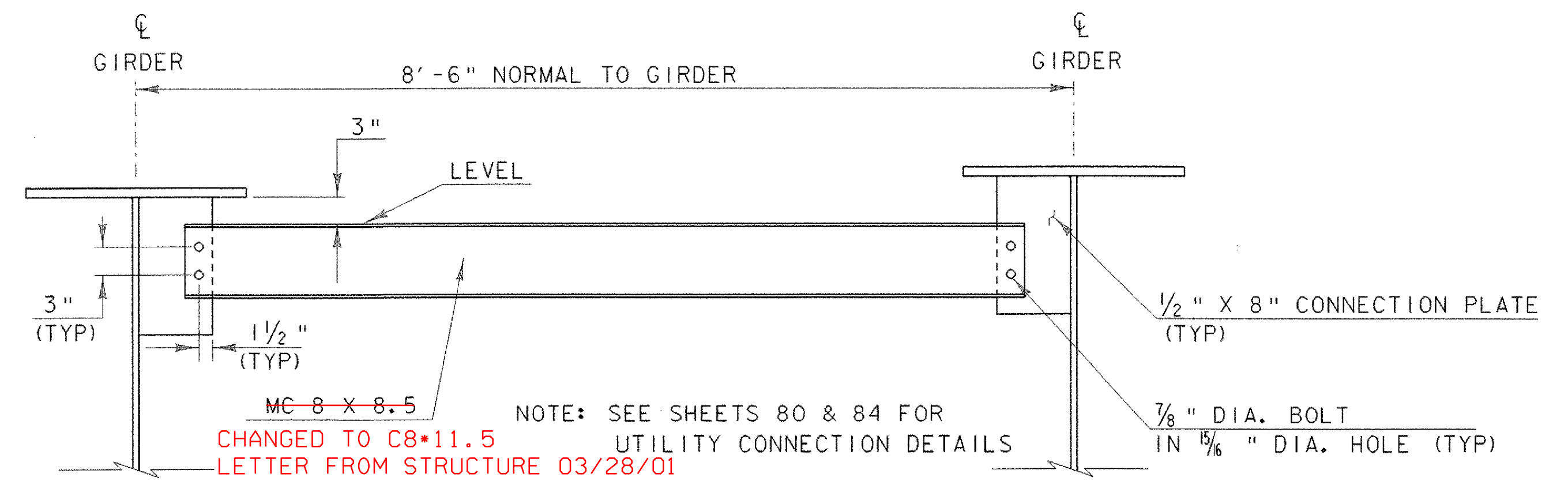


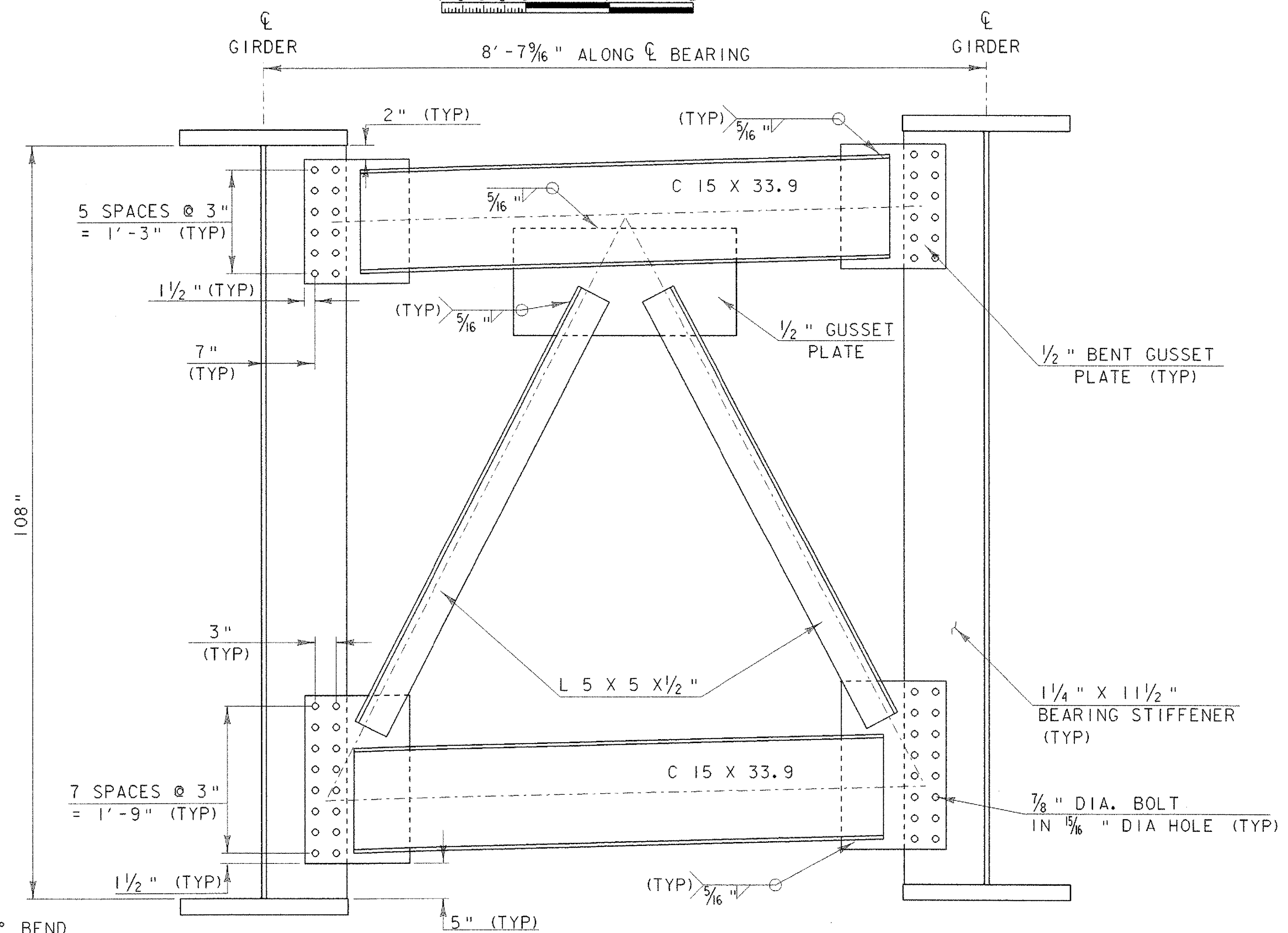
**ABUTMENT CROSS FRAME**

SCALE 1" = 1'-0  
1 9 6 3 0 1 2



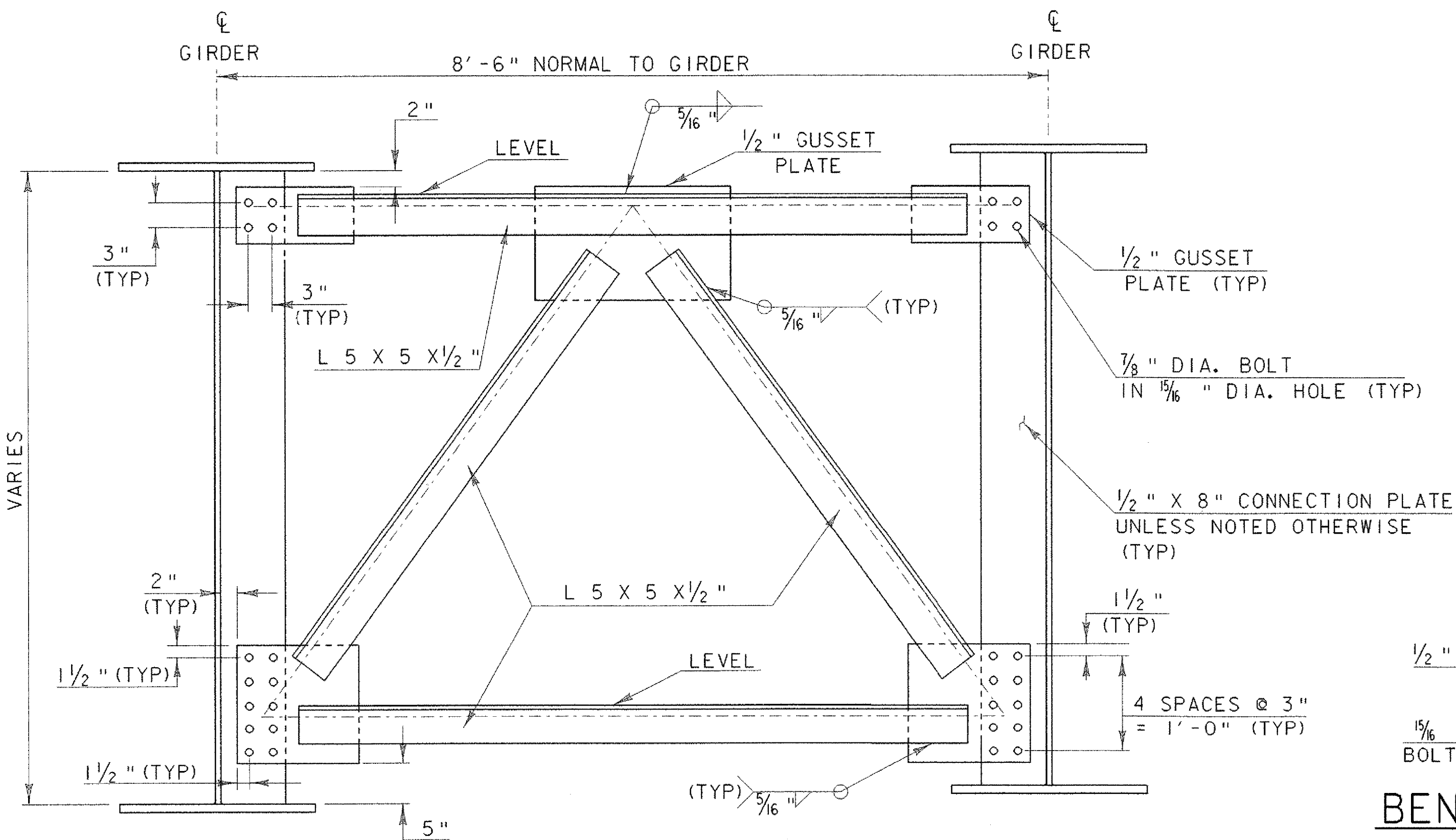
**UTILITY DIAPHRAGM**

SCALE 1" = 1'-0  
1 9 6 3 0 1 2



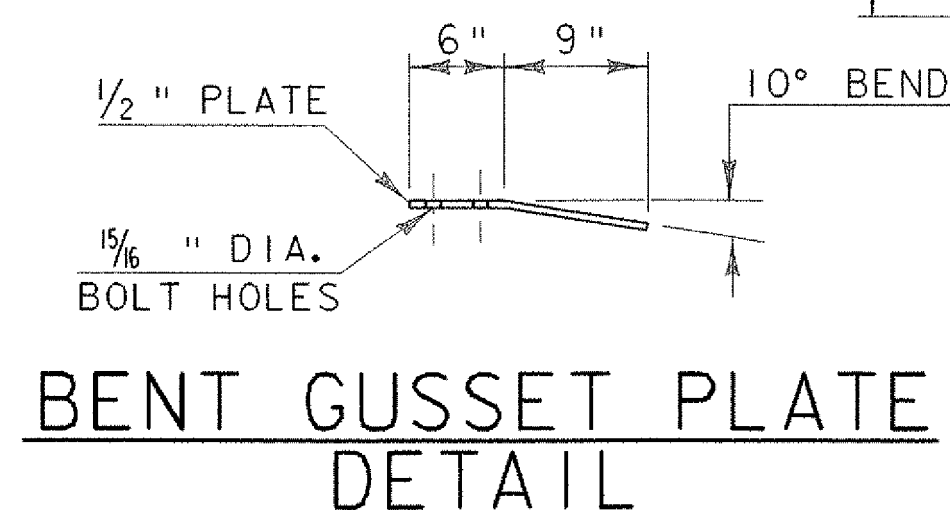
**PIER CROSS FRAME**

SCALE 1" = 1'-0  
1 9 6 3 0 1 2



**INTERMEDIATE CROSS FRAME**

SCALE 1" = 1'-0  
1 9 6 3 0 1 2



**BENT GUSSET PLATE DETAIL**

SCALE 1" = 1'-0  
1 9 6 3 0 1 2

PROJECT NAME: ROYALTON BRZ 1444 (22)  
 PROJECT NUMBER:  
 FILE NAME: 89j099/structures/sj099ssd.dgn PLOT DATE: 25-SEP-2000  
 IPARM NAME: sj099diaphragm.i DRAWN BY: D.G. BASSETT  
 PROJECT LEADER: C.P. WILLIAMS CHECKED BY: W.B. SYMONDS  
 DESIGNED BY: W.B. SYMONDS  
 DIAPHRAGM DETAILS SHEET 36 OF 118