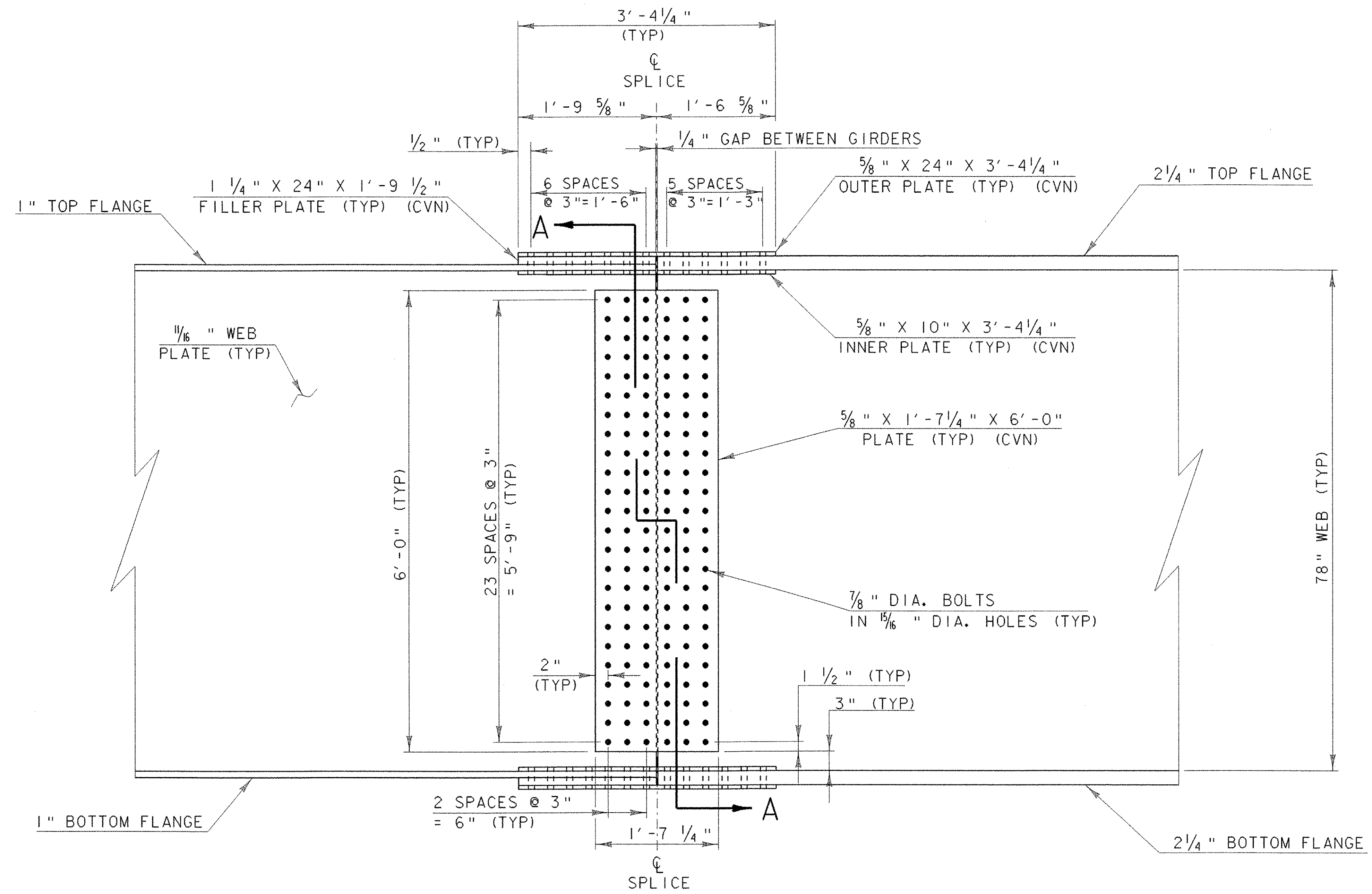
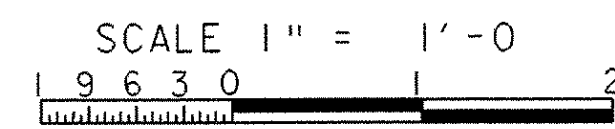
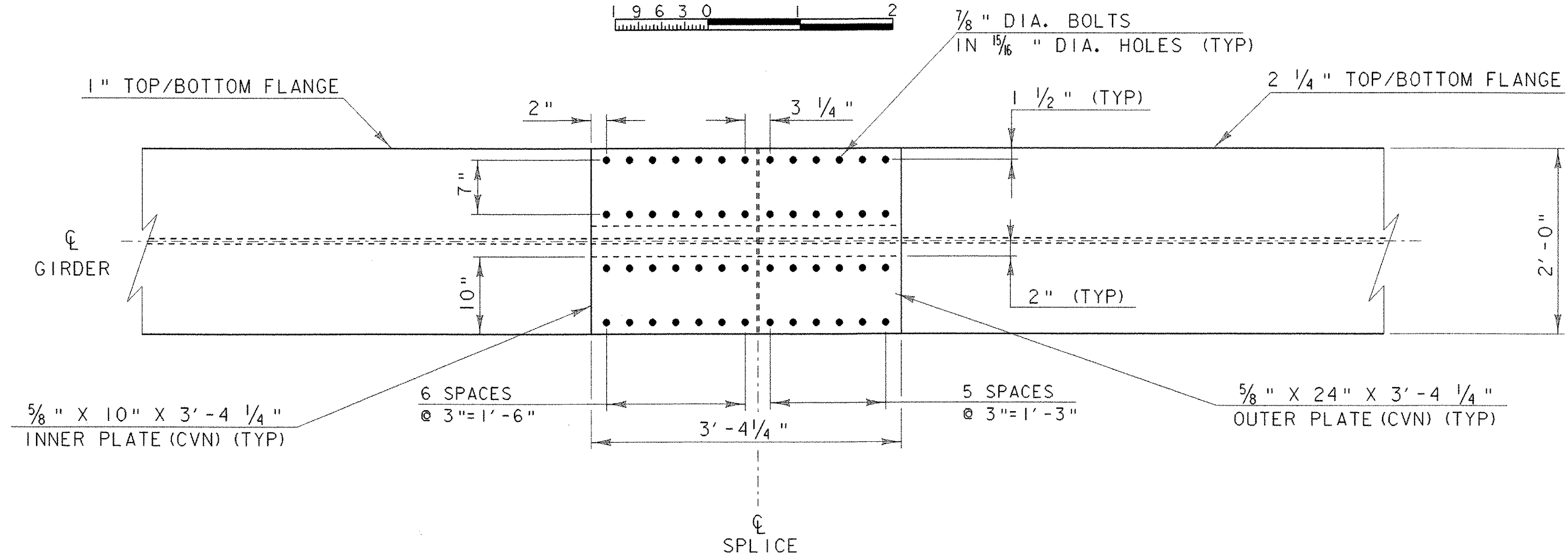
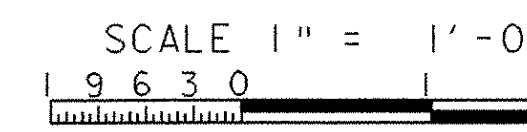


FIELD SPLICE SECTION "A - A"



FIELD SPLICE WEB ELEVATION



FIELD SPLICE TYPICAL FLANGE PLAN



PROJECT NAME:	ROYALTON BRZ 1444 (22)
PROJECT NUMBER:	
FILE NAME: 89j099/structures/sj099ssd.dgn	PLOT DATE: 25-SEP-2000
IPARM NAME: sj099splice.i	DRAWN BY: D.G. BASSETT
PROJECT LEADER: C.P. WILLIAMS	CHECKED BY: W.B. SYMONDS
DESIGNED BY: W.B. SYMONDS	SHEET 35 OF 118
SPLICE DETAILS	