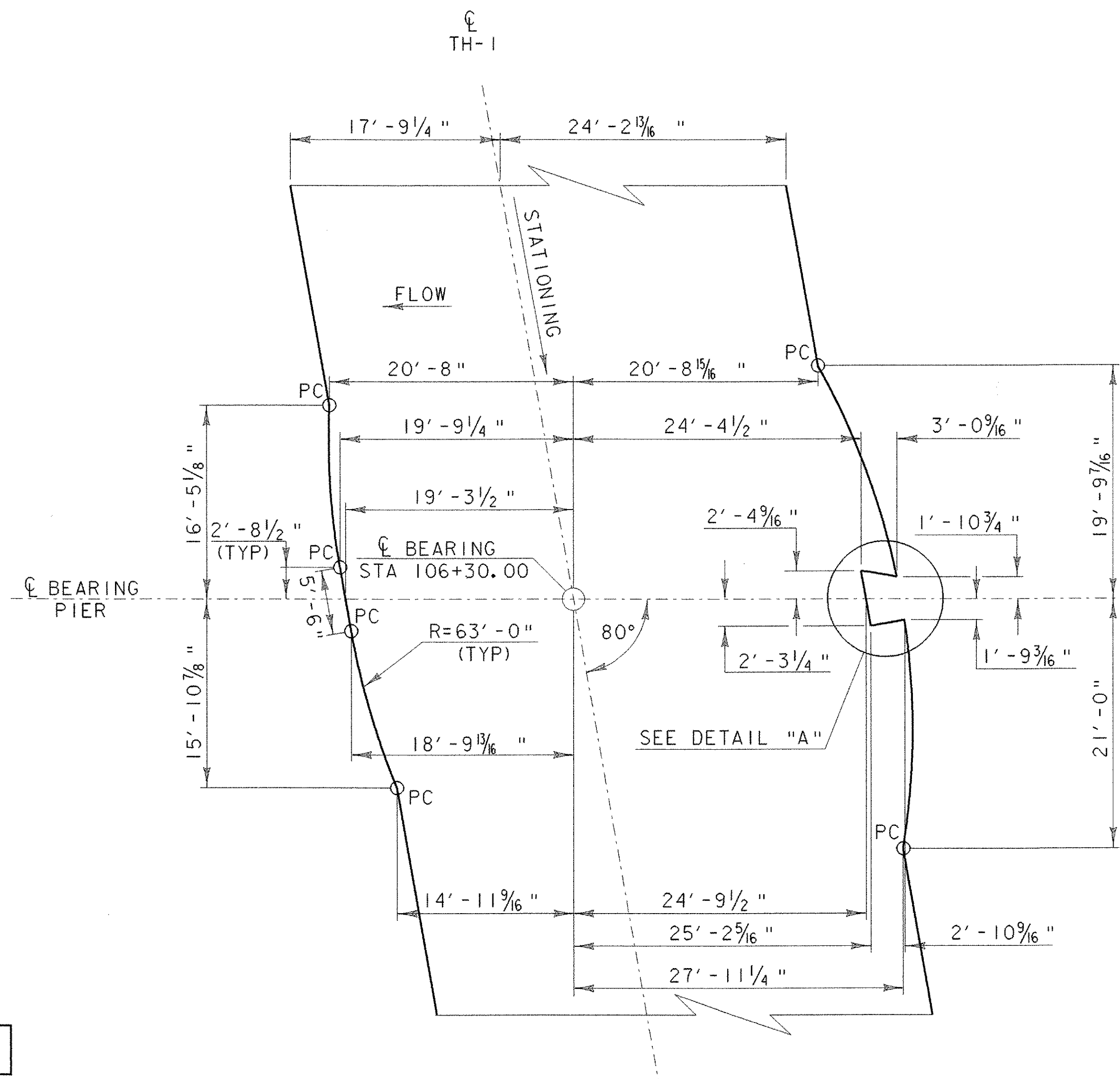


DECK PLAN DETAIL
@ ABUTMENT #1

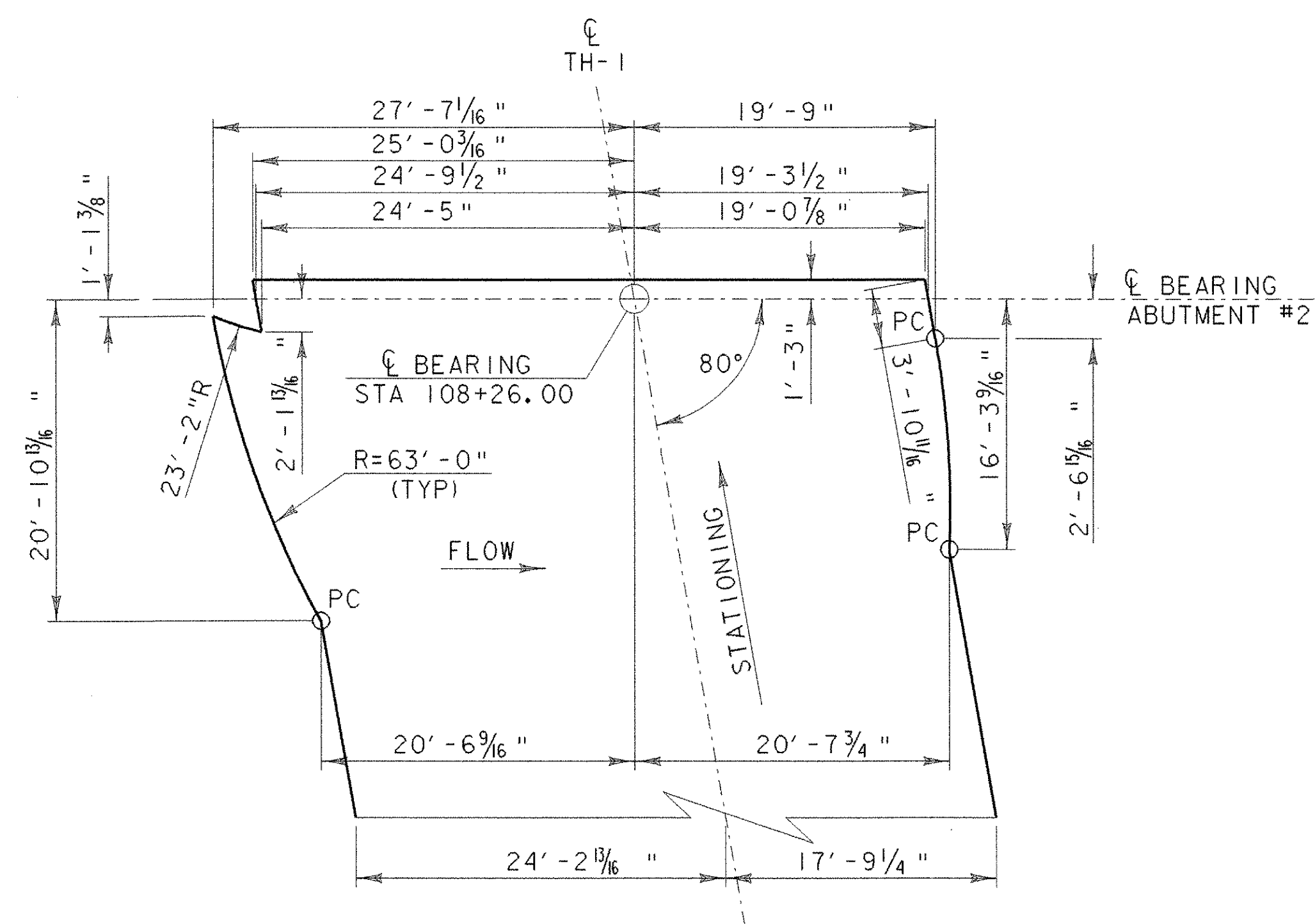
SCALE 1/8" = 1'-0"
1 0 2 4 6 8

ADDITIONAL DIMENSIONING MAY BE REQUESTED BY THE RESIDENT ENGINEER



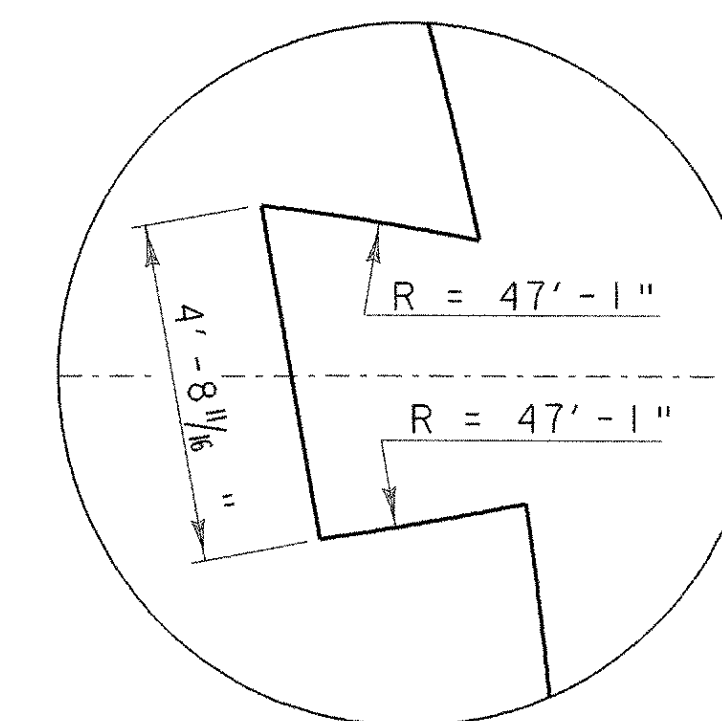
DECK PLAN DETAIL
@ PIER

SCALE 1/8" = 1'-0"
1 0 2 4 6 8



DECK PLAN DETAIL
@ ABUTMENT #2

SCALE 1/8" = 1'-0"
1 0 2 4 6 8



DETAIL "A"

SCALE 3/8" = 1'-0"
1 0 1 2 3 4

PC = POINT OF CURVATURE

PROJECT NAME: ROYALTON BRZ 1444 (22)
PROJECT NUMBER: ROYALTON BRZ 1444 (22)

FILE NAME: 89j099/structures/sj099sup.dgn
IPARM NAME: sj099deckdetail.i
PROJECT LEADER: C.P. WILLIAMS
DESIGNED BY: W.B. SYMONDS
DECK PLAN DETAIL
PLOT DATE: 25-SEP-2000
DRAWN BY: D.G. BASSETT
CHECKED BY: W.B. SYMONDS
SHEET 29 OF 118