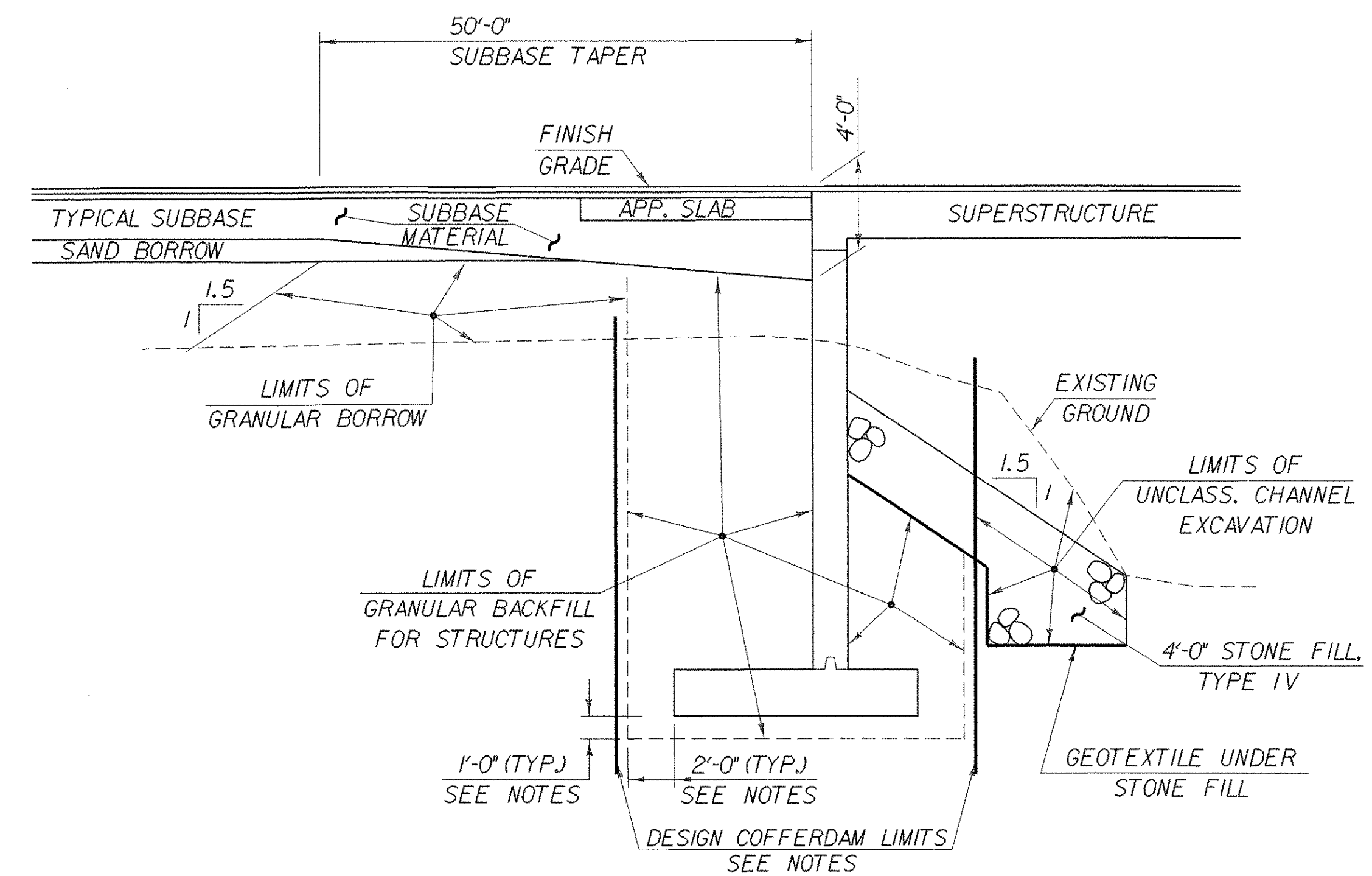


\*GRUBBING MATERIAL SHALL NOT BE PLACED ON THE STONE FILL IN THE AREA UNDER THE BRIDGE.

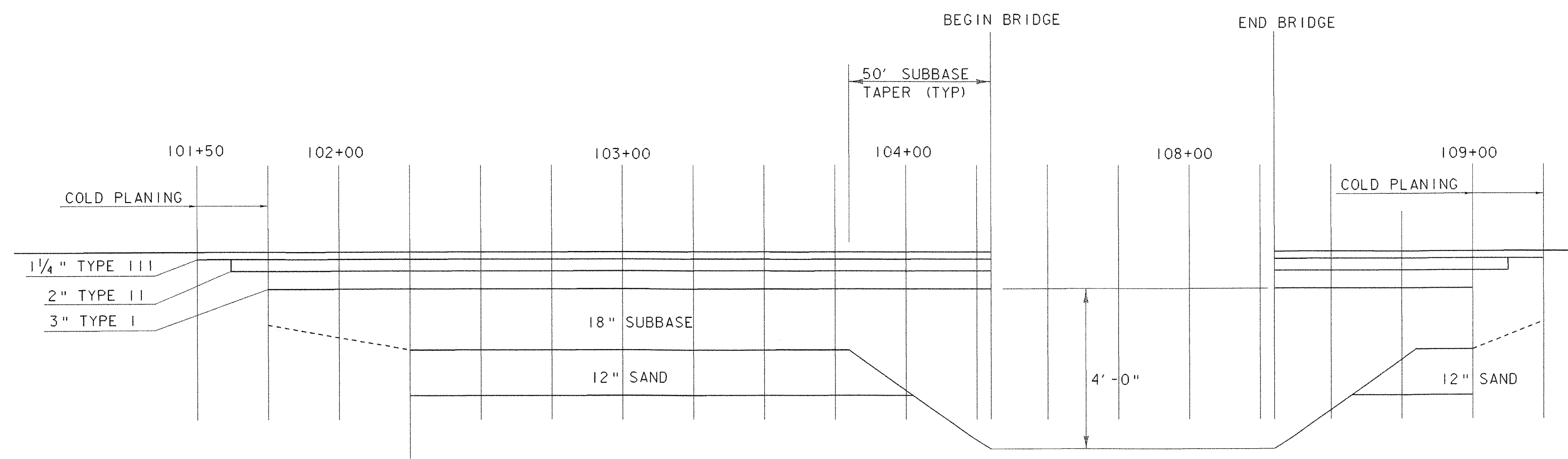
**TYPICAL CHANNEL SECTION**  
(NOT TO SCALE)

**NOTES**

1. ACTUAL COFFERDAM LIMITS TO BE DETERMINED BY THE CONTRACTOR.
2. THE DESIGN LIMITS OF COFFERDAM SHALL BE 2'-0" OUTSIDE THE PERIMETER OF SUBSTRUCTURE FOOTING. THE QUANTITY TO BE MEASURED FOR PAYMENT FOR EXCAVATION INSIDE THE COFFERDAM WILL BE MEASURED FROM THE DESIGN LIMITS OF COFFERDAM AS SHOWN IN THE CONTRACT PLANS.
3. ONE FOOT UNDERCUT AS DETERMINED NECESSARY BY THE RESIDENT ENGINEER.
4. IF A COFFERDAM IS CONSTRUCTED WHICH IS LARGER THAN THE DESIGN LIMITS OF COFFERDAM, PAYMENT FOR ALL UNCLASSIFIED CHANNEL EXCAVATION INCLUDING THAT PORTION WHICH IS INSIDE THE COFFERDAM BUT OUTSIDE THE DESIGN COFFERDAM LIMITS SHOWN WILL BE MADE AT THE CONTRACT UNIT PRICE FOR UNCLASSIFIED CHANNEL EXCAVATION.



**ABUTMENT EARTHWORK SECTION (PIER SIMILAR)**  
(NOT TO SCALE)



**MATERIAL TRANSITION**  
(NOT TO SCALE)

<b>STATE OF VERMONT AGENCY OF TRANSPORTATION</b>			
Town Of	ROYALTON	Bridge No.	3
Highway No.	TH 1	Log Sta.	
		Surv. Sta.	
<b>TH 1 OVER THE WHITE RIVER</b>			
<b>MISCELLANEOUS DETAILS</b>			
Designed By	W.B. SYMONDS	Drawn By	W.B. SYMONDS
Checked By	C. WILLIAMS	Date	11/96
		Bridge Design Supervisor	C.F. WILLIAMS Date 8/00
PROJECT	ROYALTON	PROJECT NO.	BRZ 1444(22)
I.G.C. Info.	M:89J099Structures\sj099pl		sj099m1sj
Bridge Sheet No.		Sheet	24 of 118