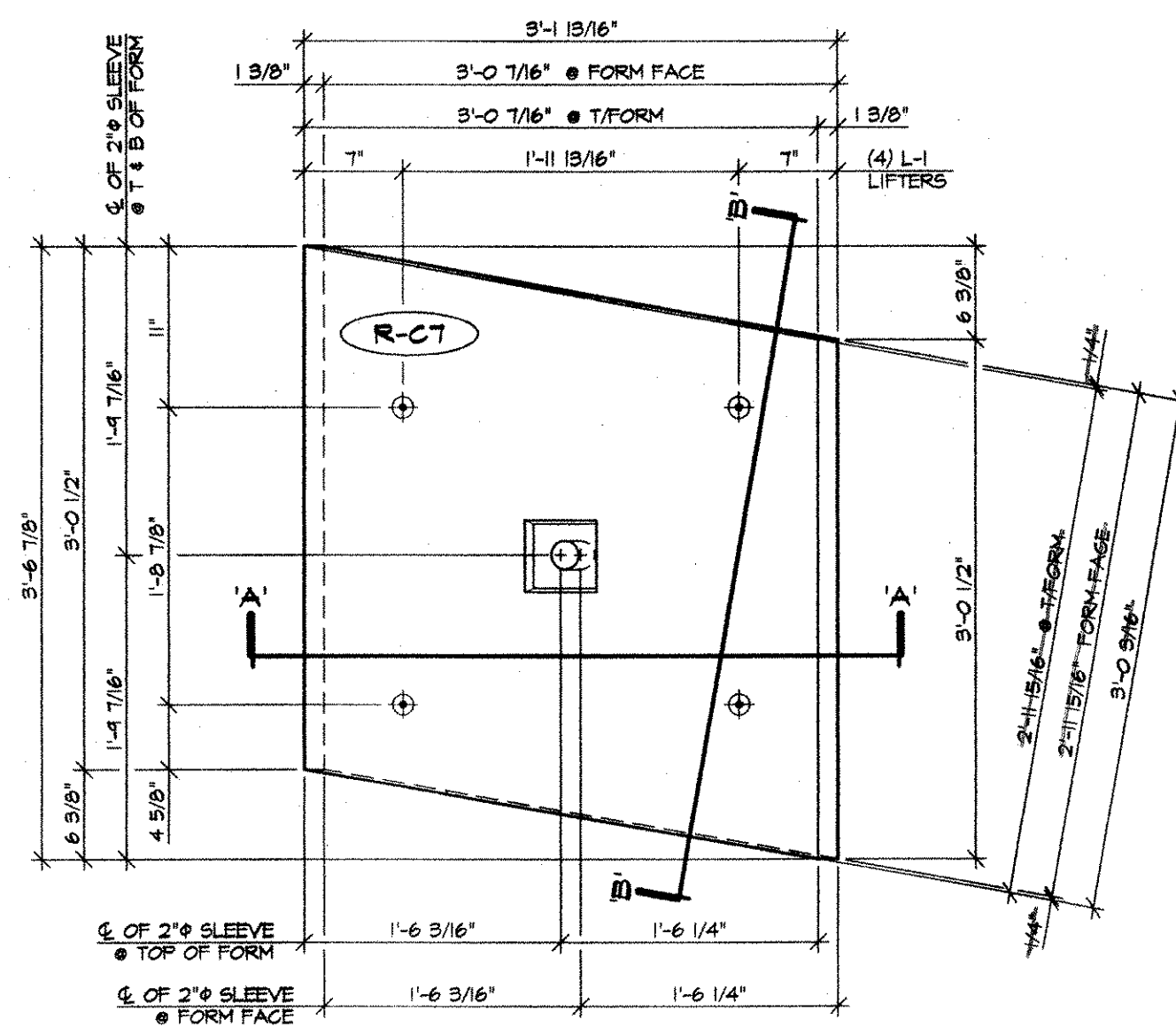


1 bag Portland
1 bag Lime
32 Shovelful of Sand

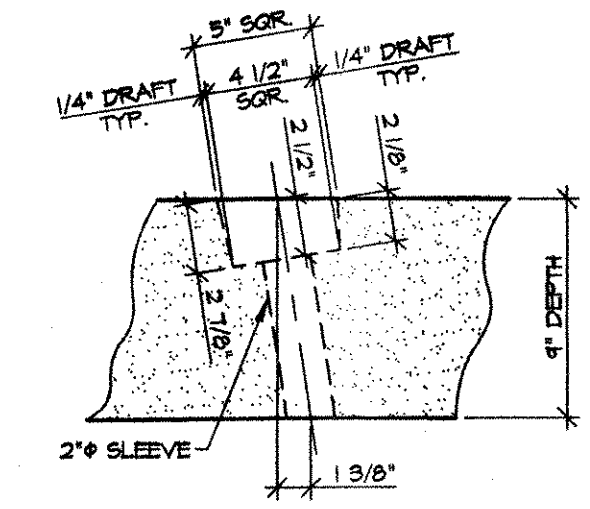
2-20-01



REMOVE 1/4\"/>

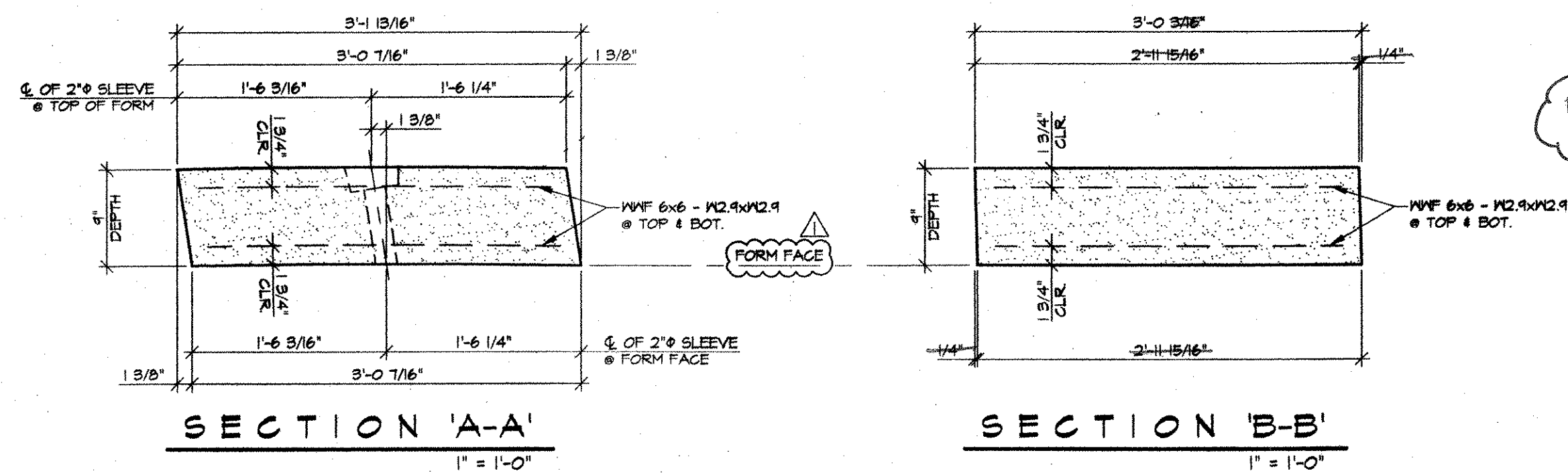
DECK TOWER CAP - PLAN VIEW IN FORM

1\"/>



POCKET DETAIL

1 1/2\"/>



REMOVE 1/4\"/>

RECEIVED
 OK'D BY WAS OK'D BY _____
 APR 26 2001
 RESUBMIT _____ APPROVED As Noted
 BY CPW DATE 5/2/01

SHOP NOTE:
 f_c = 3000 PSI (MIN.) @ STRIPPING
 f_c = 5000 PSI (MIN.) @ 28 DAYS

MARK: **R-C7** QTY.: **6** WT./TONS: **0.52** CU. YDS.: **0.26**

| MATERIALS LIST | | | | |
|----------------|------|------|---|--------------|
| ITEM | MARK | QTY. | DESCRIPTION | REMARKS |
| 1 | EM-1 | 1 | E WASHER 1/2"x3"x3" (AASHTO 103, GR. 36) W/ (1) 1/2" HOLE (GALV.) | FOR ERECTION |
| 2 | EM-2 | 1 | 1 1/4" x 1-9" ANCHOR BOLT (GALV.) (ASTM A307, GR. C) | FOR ERECTION |
| 3 | EM-3 | 1 | 1 1/4" HEAVY HEX NUT (GALV.) | FOR ERECTION |
| 4 | L-1 | 4 | 1T x 4 3/4" SNIFF LIFT LIFTERS (DAYTON) | |
| 5 | | | | |
| 6 | | | | |
| 7 | | | | |
| 8 | | | | |
| 9 | | | | |
| 10 | | | | |

NOTES:
 1. ALL SURFACES OF THE PRECAST CAPS (EXCLUDING FORM FACE) SHALL BE GIVEN A RUBBED FINISH PER VAOT STD. SPECIFICATIONS SUB-SECTION 501.6(g)(2).
 2. ALL EDGES OF PRECAST CAPS SHALL BE FABRICATED TO BE VERTICAL IN THE FINAL ERECTED POSITION.

| | | |
|-----|--------|----------------------|
| NO. | DATE | REVISION |
| 1 | 4-3-01 | REVISED FOR APPROVAL |

| |
|----------------------------|
| DRAWN: <u>B.M. LOPEZ</u> |
| DESIGNED: <u>E.J. BROD</u> |
| CHECKED: _____ |
| APPROVED: _____ |

J.P. CARRARA & SONS INC.
 Precast & Prestress Manufacturer
 2464 CASE STR., MIDDLEBURY, VERMONT 05753
 Phone: (802) 388-8361 Fax: (802) 388-9010

Double-Tees Hollow-Core Plank Flat Panels

BECK & BELLUCCI, INC.
 10 SALISBURY ROAD, PO BOX 424
 FRANKLIN, NEW HAMPSHIRE 03235

Project Name:
ROYALTON BRIDGE
 BRZ 1444 (22)
 ROYALTON, VERMONT
 DECK TOWER CAP DETAILS

SCALE: NOTED
 JOB #: 23111-00
 DATE: 2-20-01
 SHEET #: **PCT**