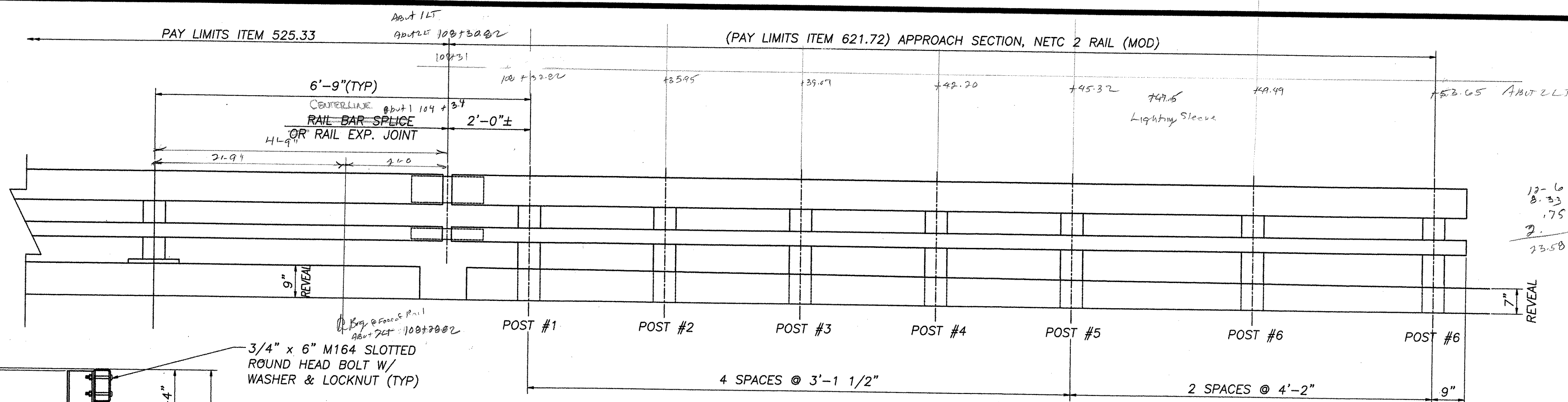
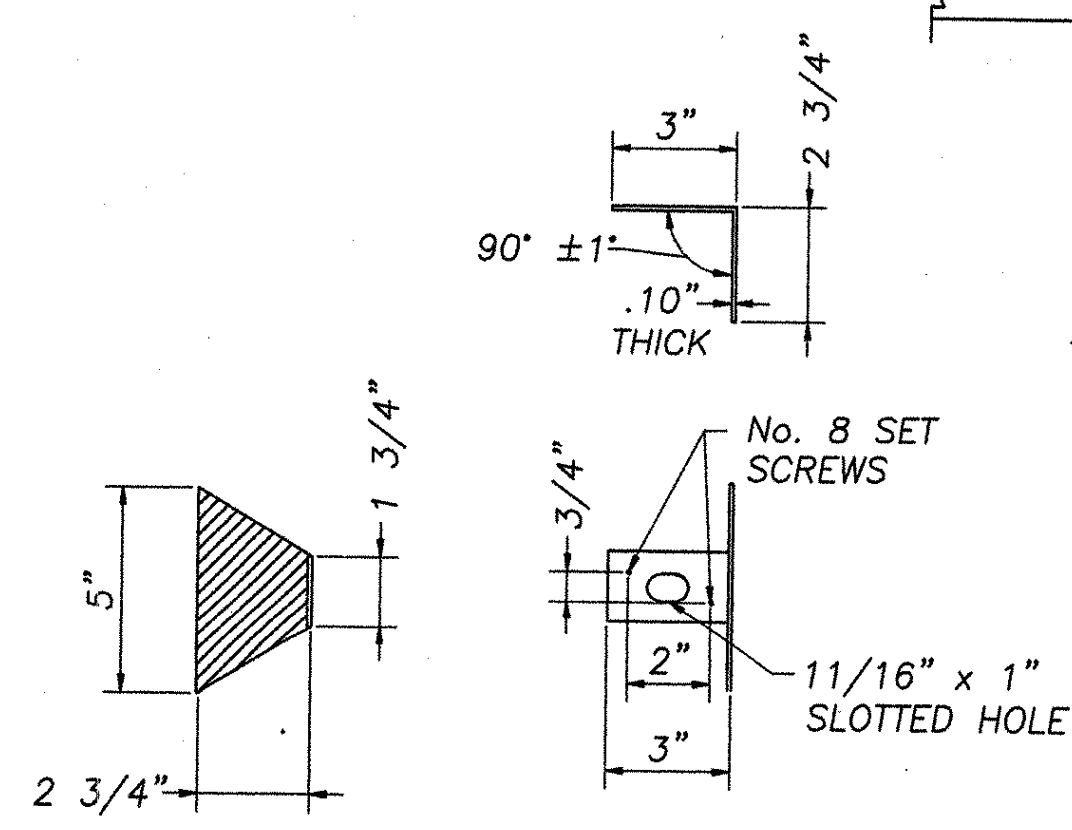
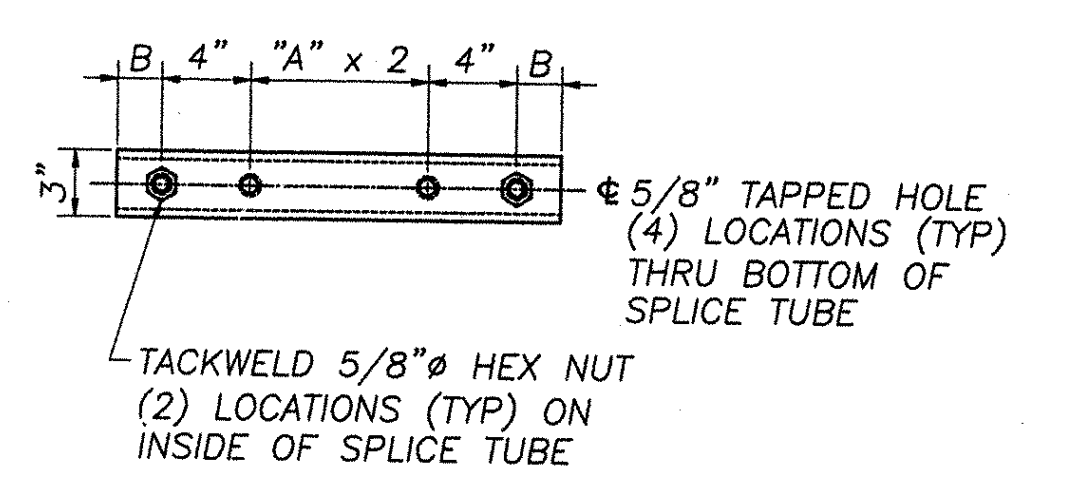
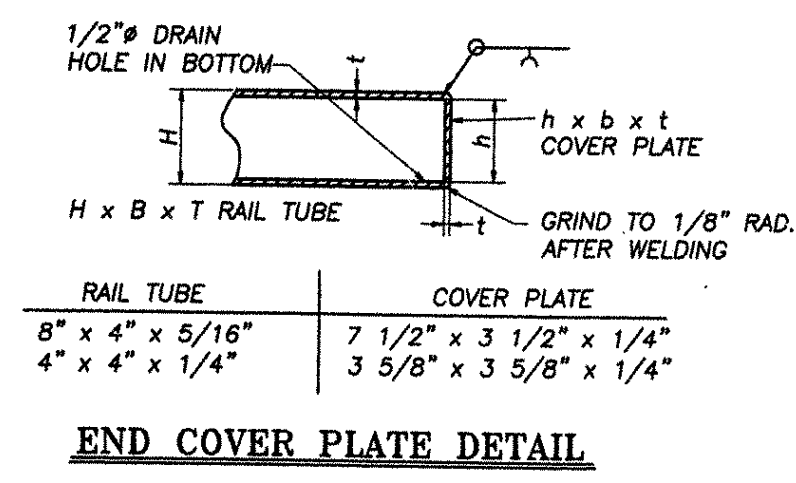
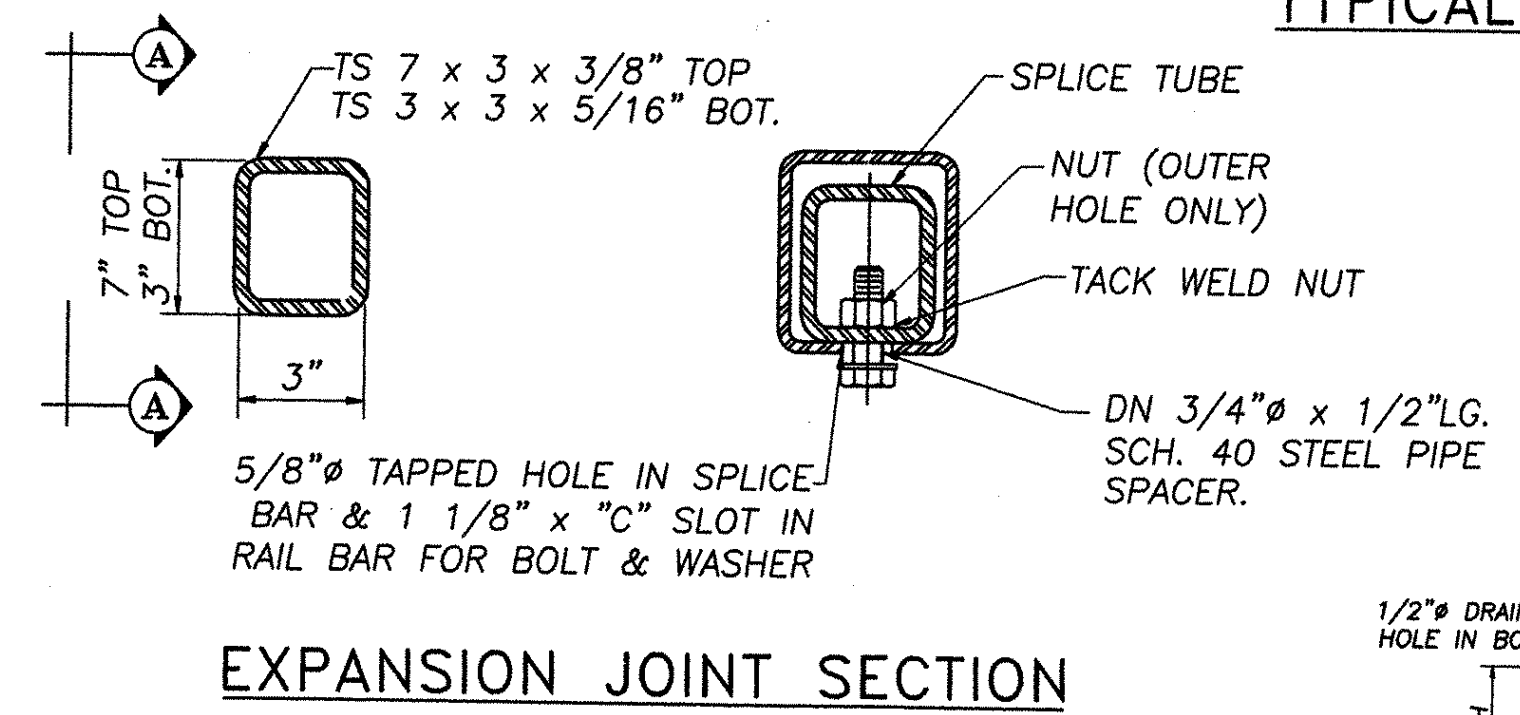
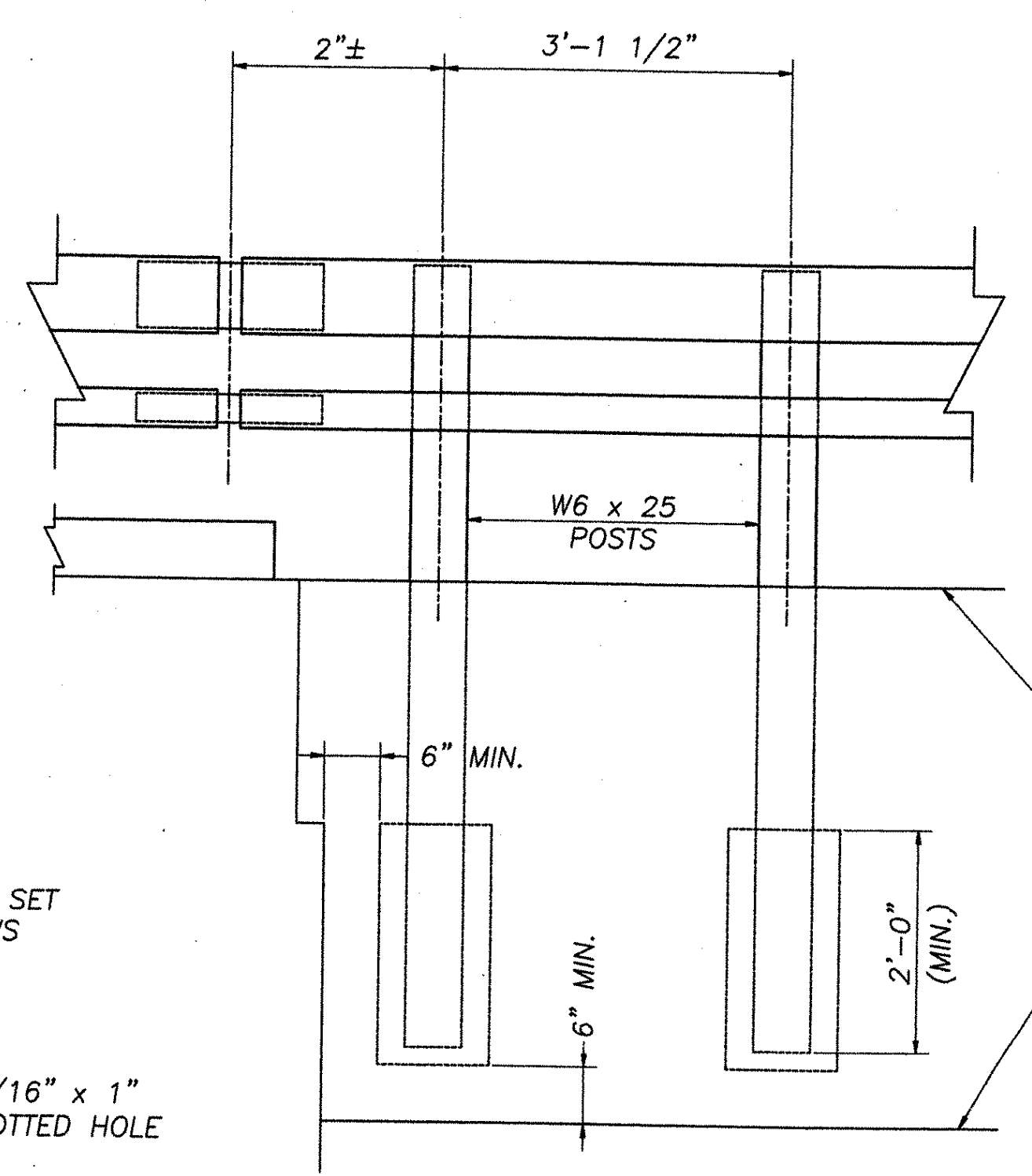
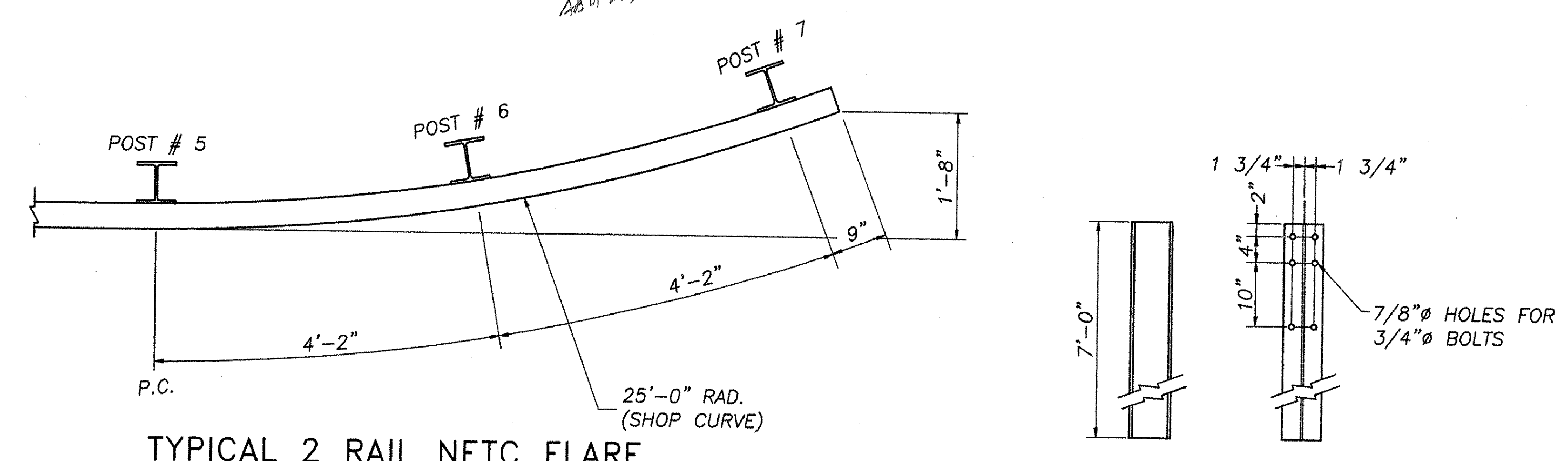
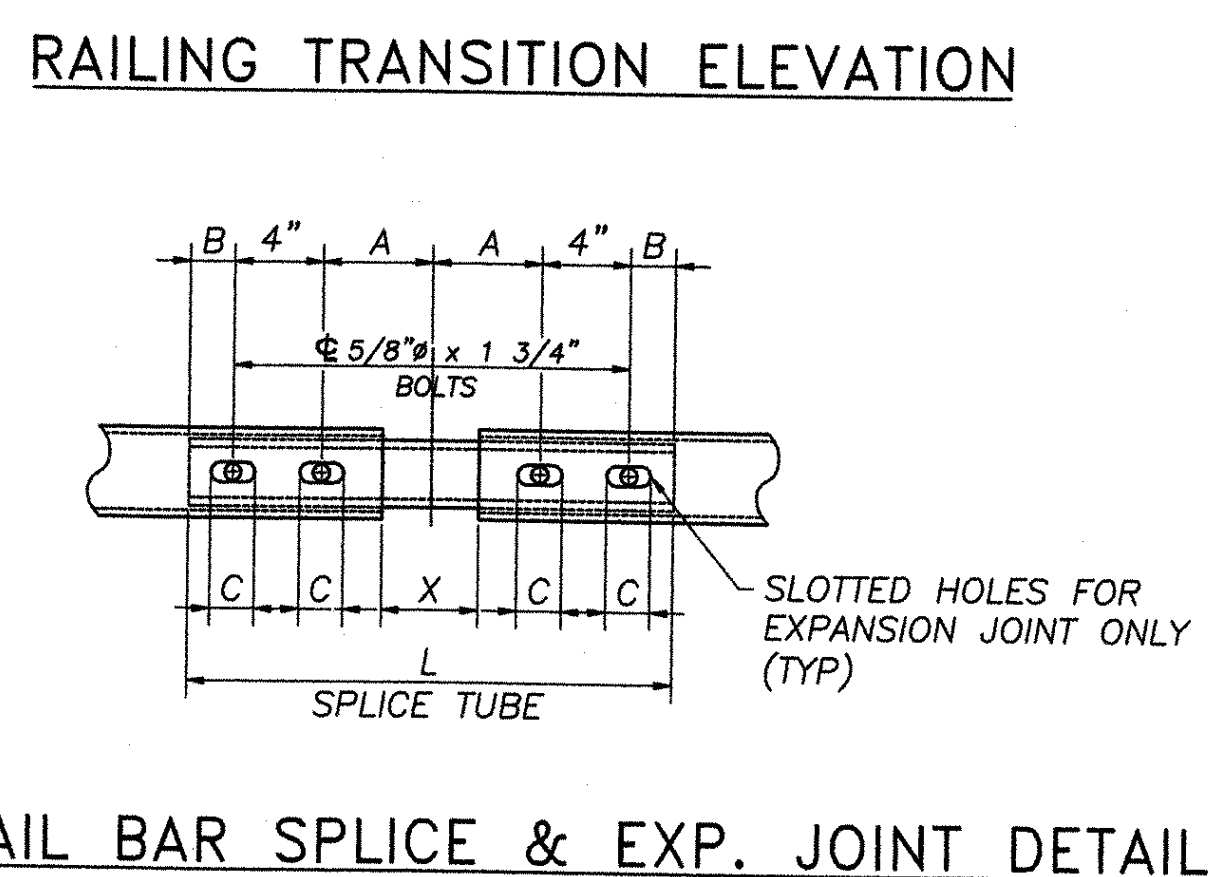
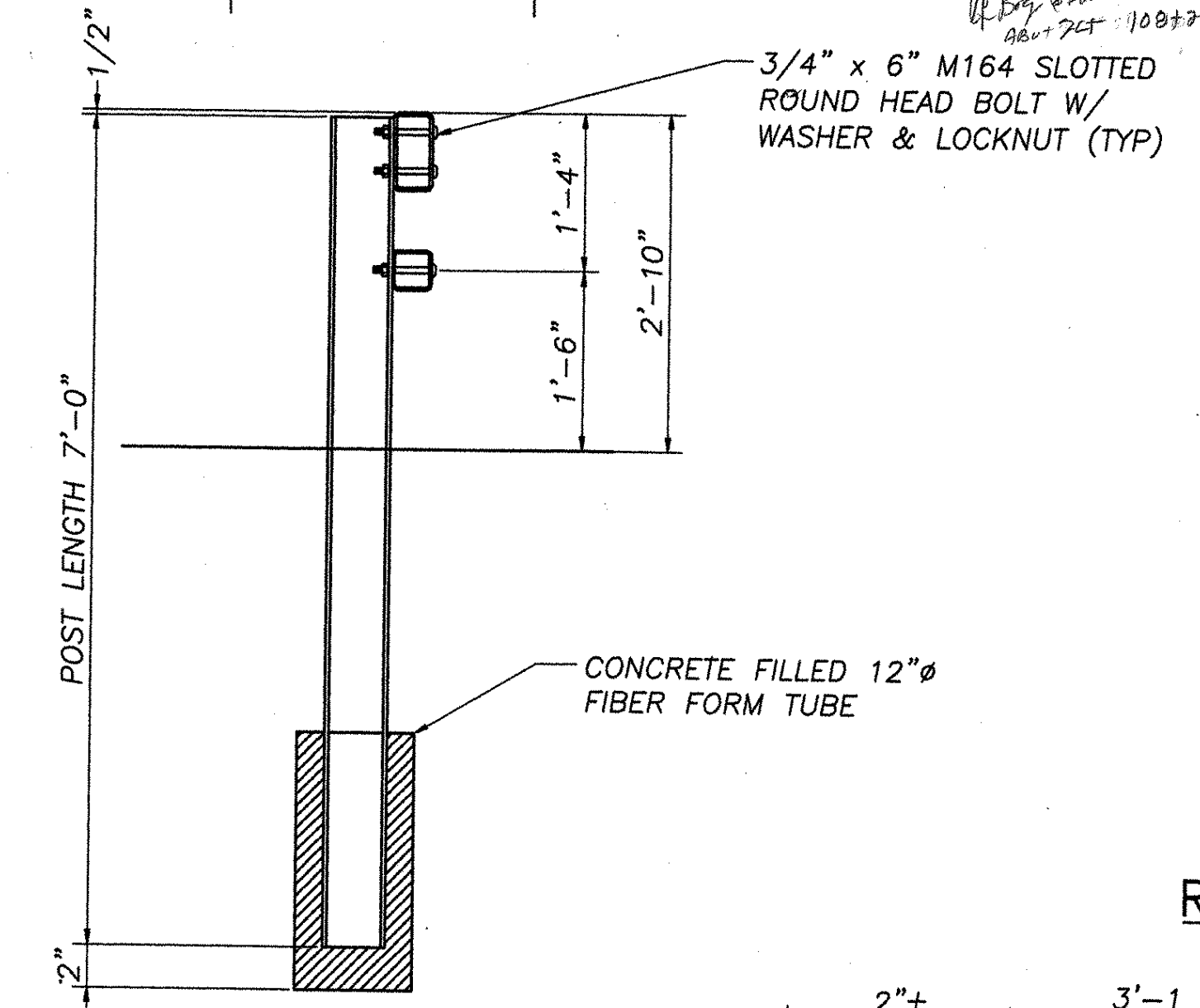


ABT 1 109704  
 ABT 2 108726



Mk.	Qty.	Description
2		TS 8 x 4 x 5/8" RAIL TUBE (23'-4 1/2" OAL) W/SHOP CURVE & END CAP
2		TS 4 x 4 x 1/4" RAIL TUBE (23'-4 1/2" OAL) W/SHOP CURVE & END CAP
2		TS 7 x 3 x 3/8" SPLICE BAR 20" LG. W/(2) TACKWELDED 5/8" Ø HEX NUT
2		TS 3 x 3 x 5/16" SPLICE TUBE 20" LG. W/(2) TACKWELDED 5/8" Ø HEX NUT
14		W6 x 25 POST 7'-0" OAH
56		3/4" x 6" M164 ROUND HEAD BOLT W/WASHER & LOCKNUT
16		5/8" x 1 3/4" LG. BOLTS W/PLAIN WASHER
8		3/4" x 1 1/2" LG. SCH. 40 SPACER PIPE

- NOTES:
- TO FACILITATE FIELD FIT - UP OF THE TRANSITION RAILING POSTS SHALL BE SET LOOSELY INTO FIBER FORM TUBES WHILE TRANSITION PARTS ARE BEING ASSEMBLED. POST HOLES SHALL BE BACKFILLED WITH A CONCRETE MIX APPROVED BY THE ENGINEER.
  - ALL APPROACH RAIL SPLICES SHALL BE LAPPED IN THE DIRECTION OF TRAFFIC FLOW.
  - SEE NOTES ON SHEET 2 OF 2 BRIDGE RAIL - NETC 2 RAIL FOR MATERIAL AND CONSTRUCTION REQUIREMENTS.



"T"	"A"	"B"	"C"	"L"	"X"
SPLICE	4"	2"	--	20"	3/4"
≤ 4"	4"	2"	2-1/2"	20"	2-1/2"

T = TOTAL REQUIRED MOVEMENT \* = SINGLE SLOT

No.	REVISIONS	Date
0	Initial submittal	10/16/01
	Second Submittal	3/12/02
	Third Submittal	4/11/02

RECEIVED  
 OK'D BY [Signature] OK'D BY [Signature]  
 APR 23 2002  
 SUBMITTAL APPROVED [Signature]  
 BY [Signature] DATE 4/30/02

**HIGHWAY SAFETY CORP.**  
 GLASTONBURY, CT

ITEM 621.72 - NETC 2 RAIL - APPROACH  
 PROJECT No. AC BRZ 1444(22)  
 TOWN OF ROYALTON  
 TH1 OVER THE WHITE RIVER  
 (BRIDGE No. 3) WINDSOR COUNTY

GENERAL CONTRACTOR: F.R. LAFAYETTE

SCALE: N.T.S.  
 SHEET NO. 1 of 1

DATE: 10/15/01

REVISION: 0

