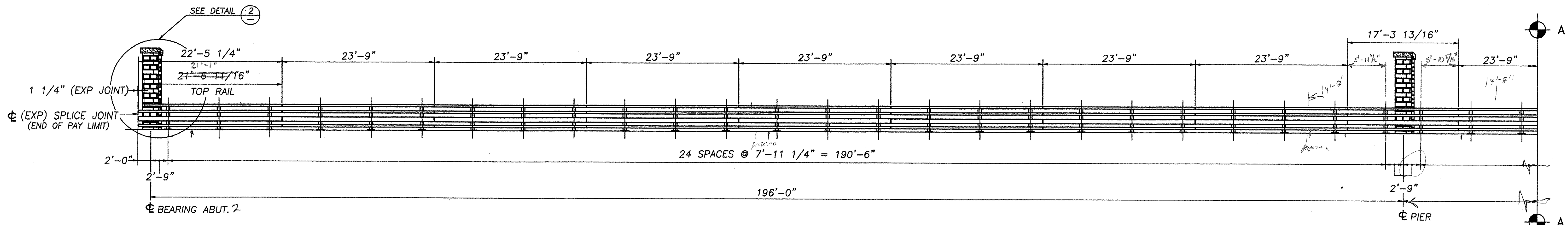
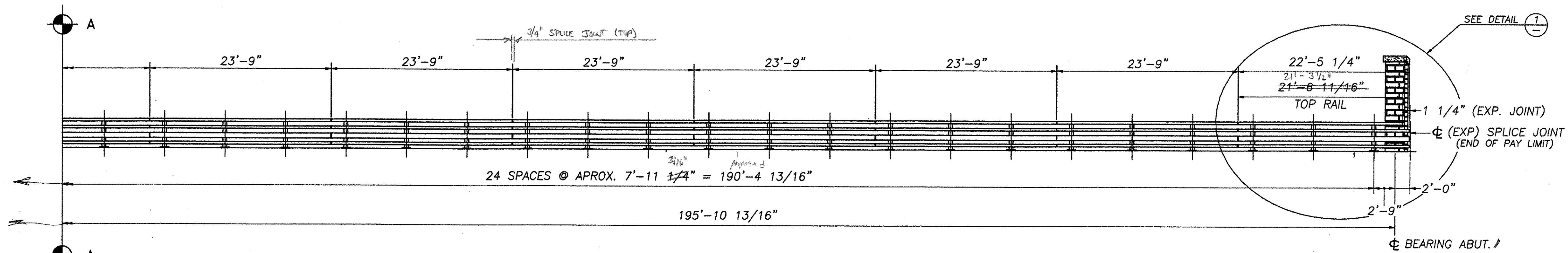


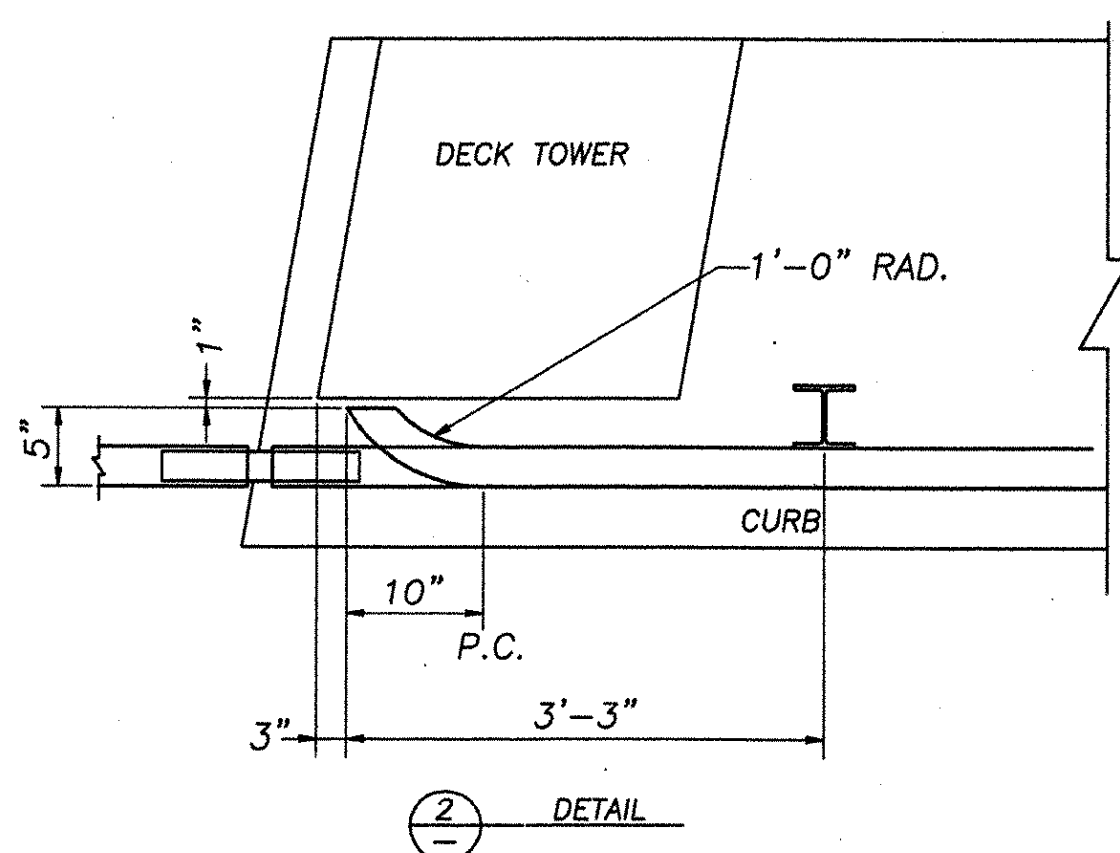
7-9
 7-11 1/4
 3-11 5/8
 14-7 7/8
 3-9
 12
 14-9
 1-1 1/8
 14-7 7/8
 3/4
 7/8
 9/8



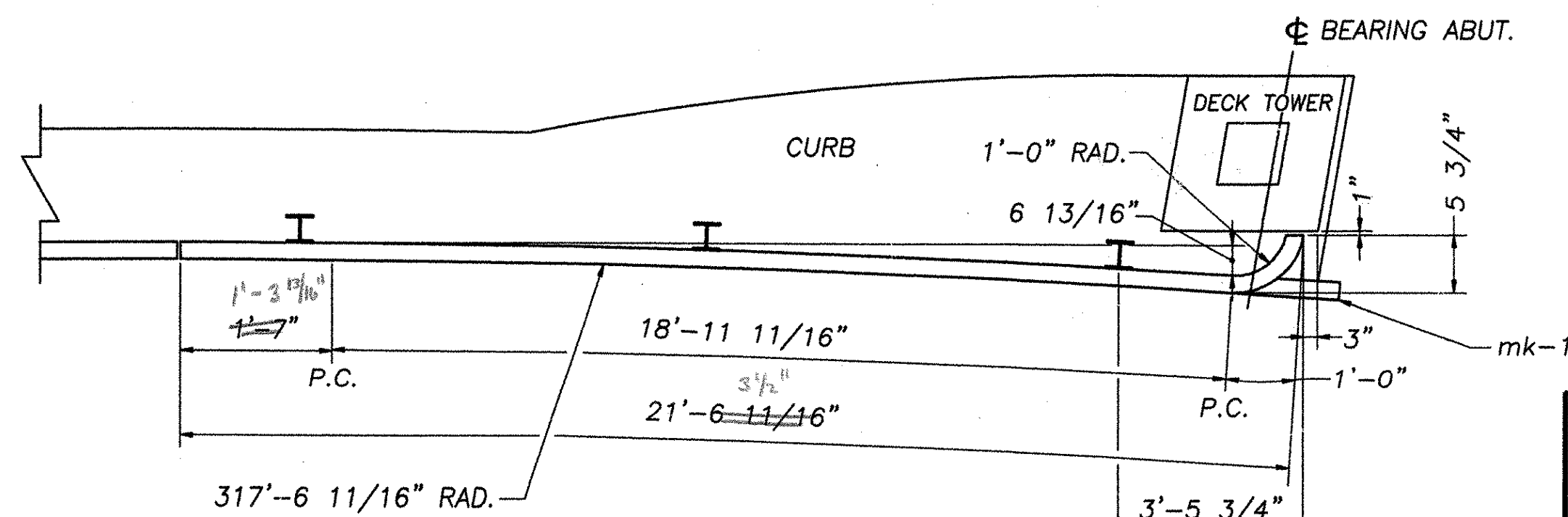
EAST ELEVATION - NETC 4 RAIL
 FACING EAST FROM Φ OF ROADWAY
 Looking Downstream



EAST ELEVATION - NETC 4 RAIL
 FACING EAST FROM Φ OF ROADWAY
 Looking Downstream



2 DETAIL



1 DETAIL

REVISIONS		
No.	Remarks	Date
0	Initial submittal	10/16/01
1	Second submittal	3/18/02
2	Third submittal	4/17/02

RECEIVED
 OK'D BY [Signature] OK'D BY [Signature]
 APR 23 2002
 RESUBMIT APPROVED [Signature]
 BY [Signature] DATE 4/30/02

HIGHWAY SAFETY CORP.
 GLASTONBURY, CT

ITEM 525.34 - BRIDGE RAIL - NETC 4 RAIL
 PROJECT No. AC BRZ 1444(22)
 TOWN OF ROYALTON
 TH1 OVER THE WHITE RIVER
 (BRIDGE No. 3) WINDSOR COUNTY

DRAWN J. Ruiz
 CHECKED [Signature]
 DATE 10/15/01
 SCALE 1/8" = 12'
 HSC REFERENCE NO. 1241
 GENERAL CONTRACTOR SIZE D REVISION 0
 SHEET NO. 1 of 2
 SUB CONTRACTOR F. R. LAFAYETTE, INC.

