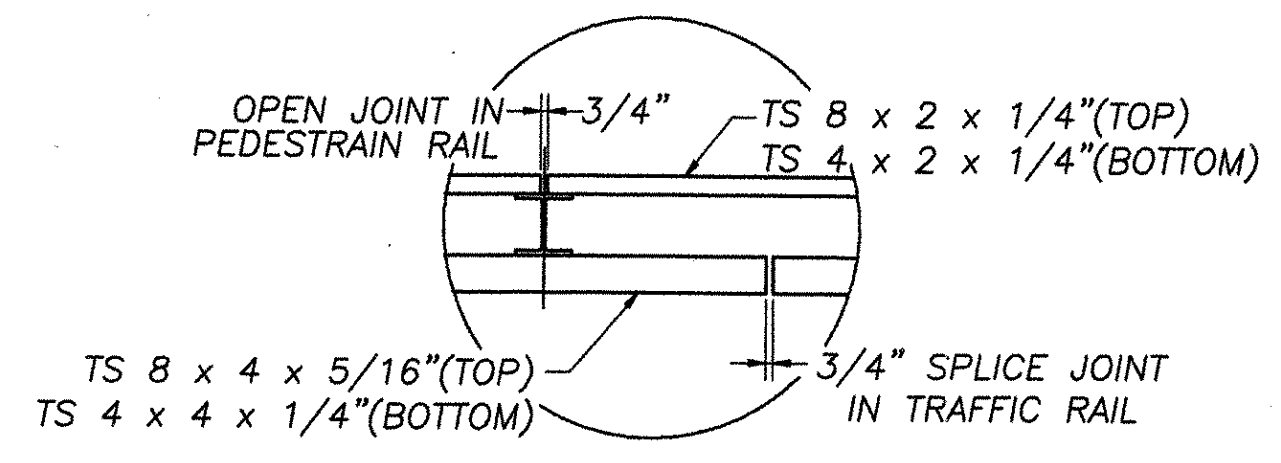
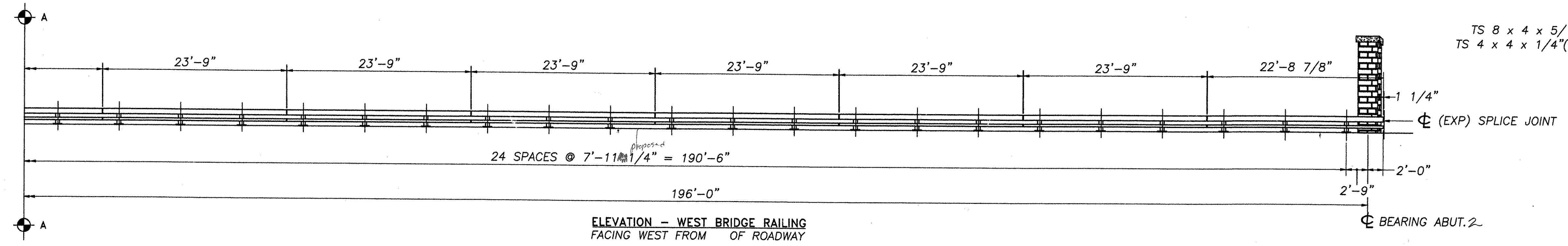
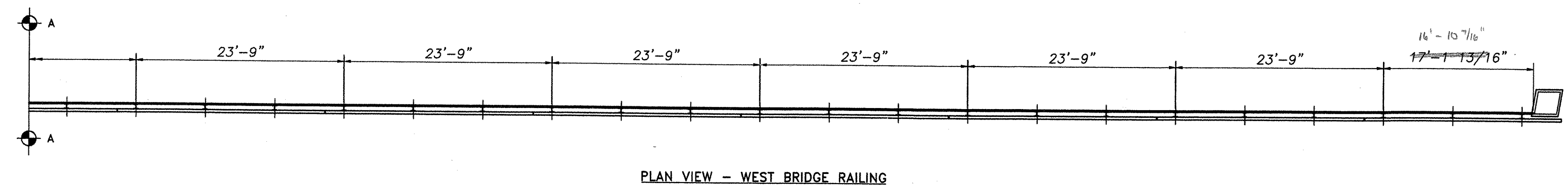
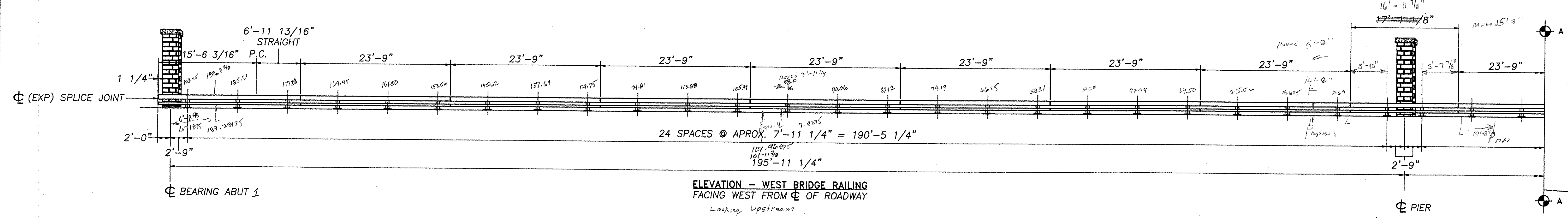
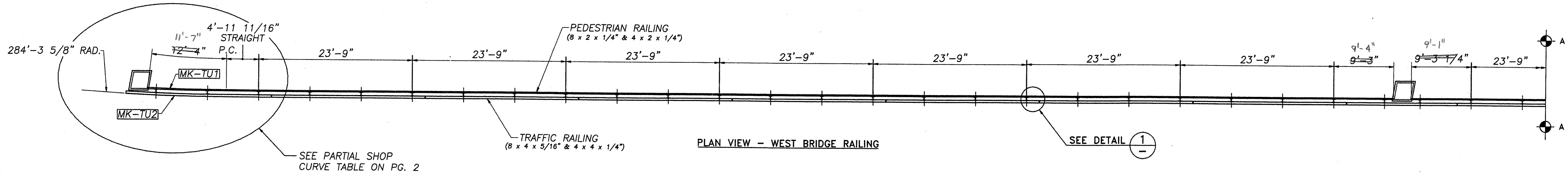


$11 \times 3/4 = 8 \times 3/4 + 3 \times 3/4$
 $8 \times 3/4 = 6 \times 3/4 + 2 \times 3/4$
 $8 \times 3/4 = 8 \times 3/4$
 $9 \times 9 = 8 \times 9 + 1 \times 9$
 $9 \times 9 = 9 \times 9$



REVISIONS		
No.	Remarks	Date
0	Initial submittal	10/16/01
	Second Submittal	3/18/01
	Third Submittal	4/17/02

RECEIVED

CKD BY WBS OK'D BY RSY
 APR 23 2002
 RESUBMIT APPROVED As noted
 BY CPW DATE 4/30/02

HIGHWAY SAFETY CORP.
GLASTONBURY, CT

ITEM 525.33 - BRIDGE RAIL - NETC 2 RAIL
PROJECT No. AC BRZ 1444(22)
TOWN OF ROYALTON
TH1 OVER THE WHITE RIVER
(BRIDGE No. 3) WINDSOR COUNTY

GENERAL CONTRACTOR
SUB CONTRACTOR **F. R. LAFAYETTE, INC.**

DRAWN J. Ruiz
 CHECKED [Signature]
 DATE 10/15/01
 SCALE 1/8" = 12'
 HSO REFERENCE NO. 1240
 SHEET NO. 1 of 2