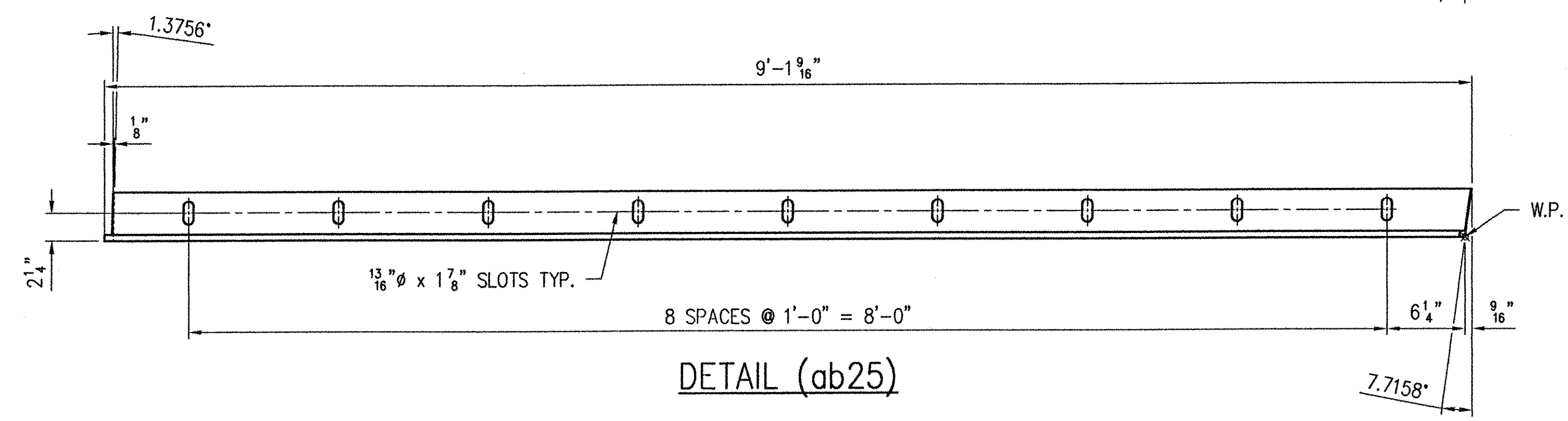
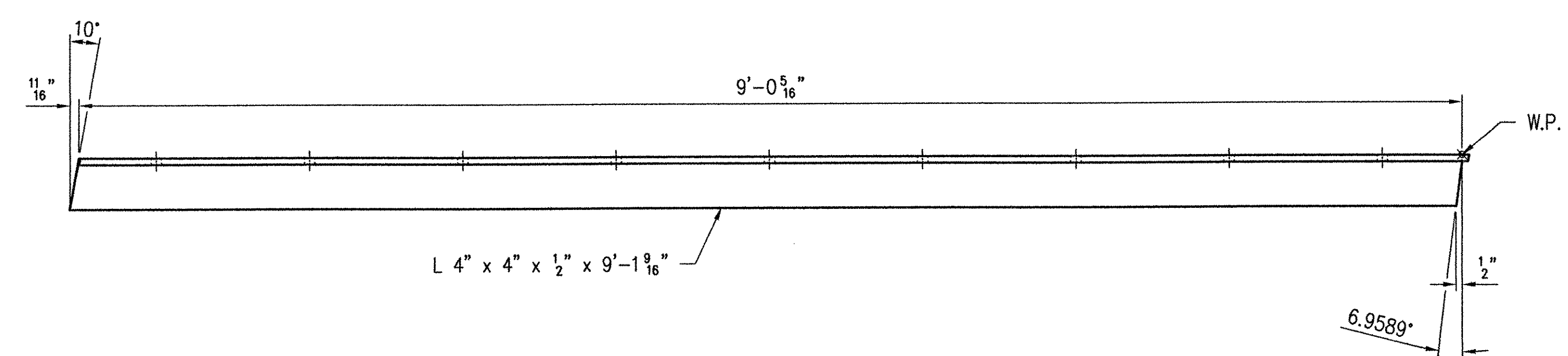
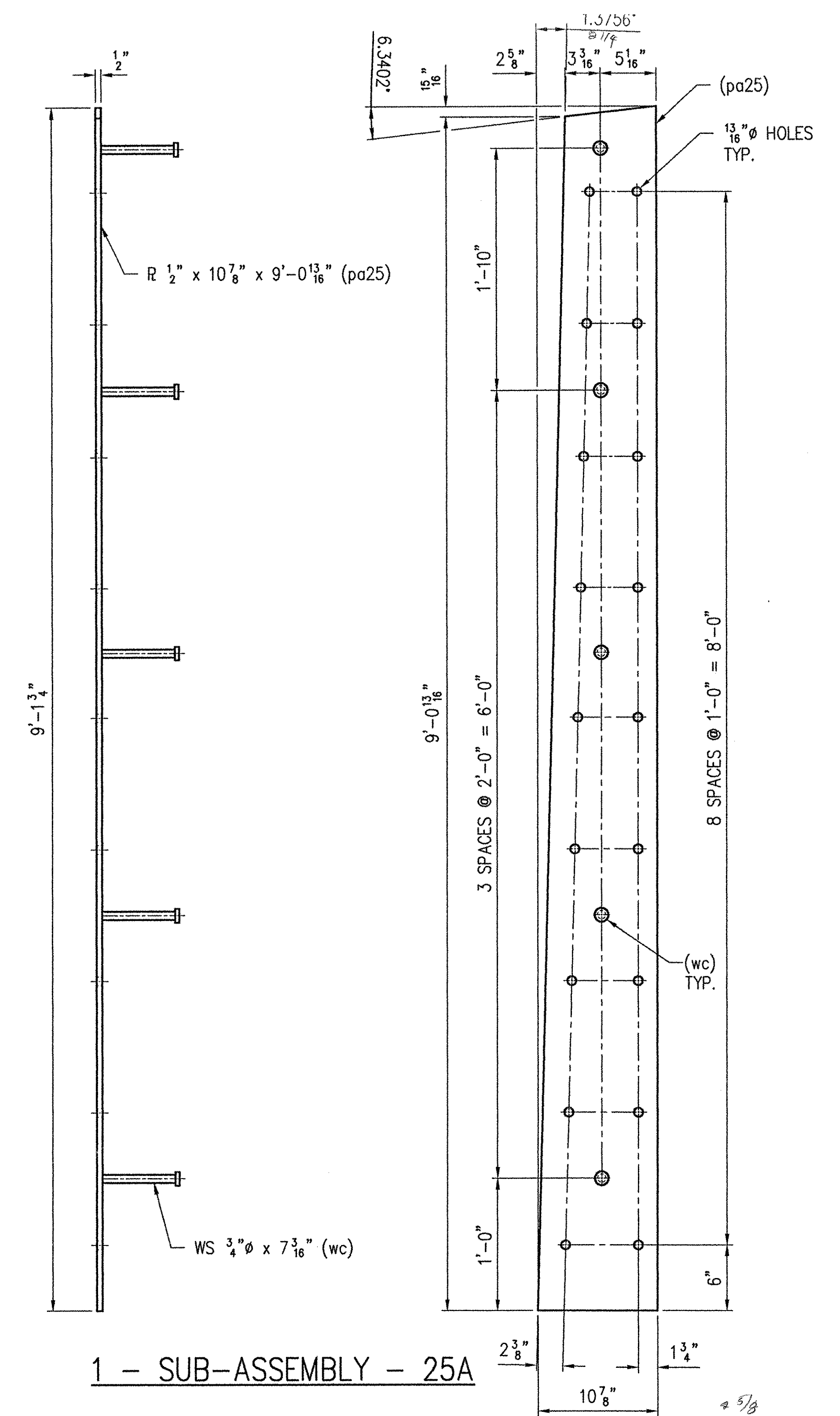
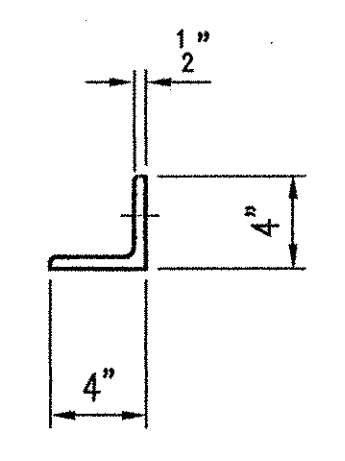
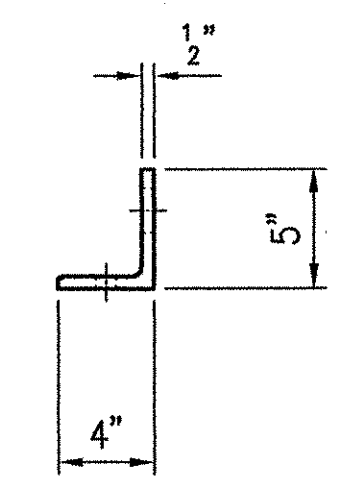


DETAIL (aa25)



DETAIL (ab25)



1 - SUB-ASSEMBLY - 25A

RECEIVED
 CHK'D BY: LJS OK'D BY:
 JAN 21 2002
 RESUBMIT APPROVED
 BY: OPW DATE: 1/24/02

SEE SHEET NO. 30 FOR GENERAL NOTES.
 WORK THIS SHEET WITH SHEET NO. 23, 24, 26 & 27.

REV.	DESCRIPTION	DATE
ANY AND ALL BACKCHARGES WILL BE REJECTED UNLESS WRITTEN CONSENT IS GIVEN BY LEWIS ENGINEERING COMPANY PRIOR TO ANY WORK PERFORMED FOR OUR ACCOUNT. SUCH REJECTION MEANS THAT INVOICES WILL NOT BE HONORED OR DEDUCTIONS FROM PAYMENT WILL BE CHARGED BACK		
LEWIS ENGINEERING COMPANY 4201 NOREX DRIVE - CHASKA, MINNESOTA 55318 - (952) 368-3000		
SHOP	PROJECT - ROYALTON / RTE. NO. TH 1, CL 1 BRIDGE NO. 3	
	STATE PROJECT - AC BRZ 1444(22)	
	FEDERAL PROJECT -	
APPROVAL	CUSTOMER - BECK & BELLUCCI, INC.	W.P. ch'k'd
	LOCATION - WINDSOR COUNTY, VT	Drawn By JMB
DIST.	DESCRIPTION - EXPANSION JOINT DETAILS	Ch'k'd. By TSF
	ABUTMENT NO. 1	Date: 12/20/01
CUST.		
FOR		
DATE		
PRINTS		
ISSUED	L.E.C. 25 OF 30	SHEET NO. 10 OF 15
		Job. No. : 2034.1042