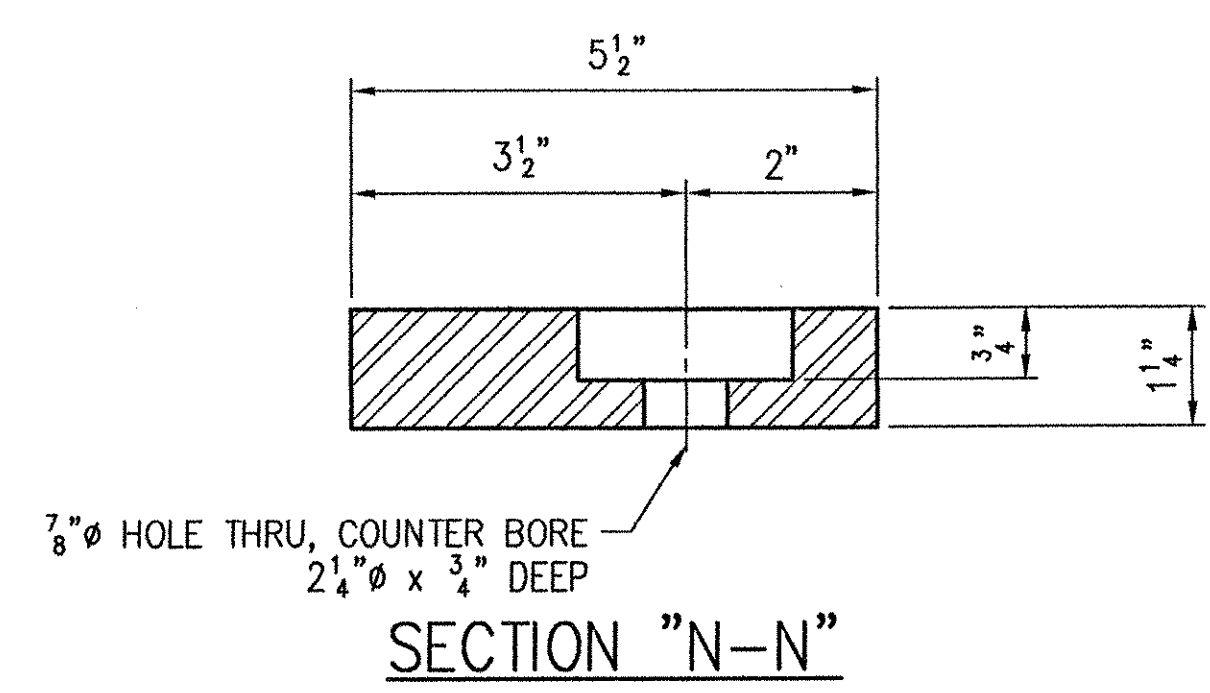
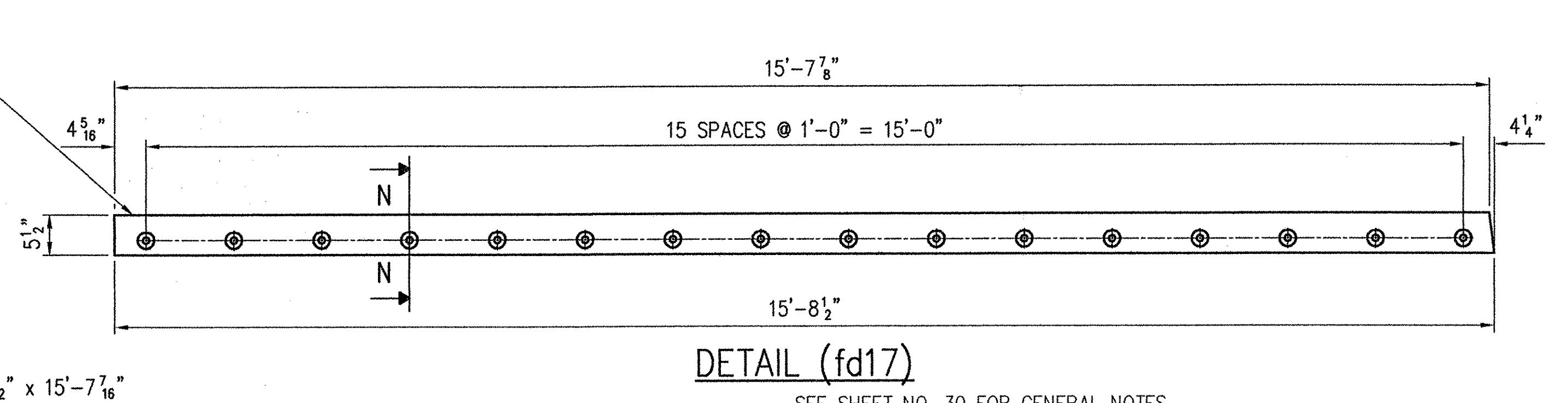
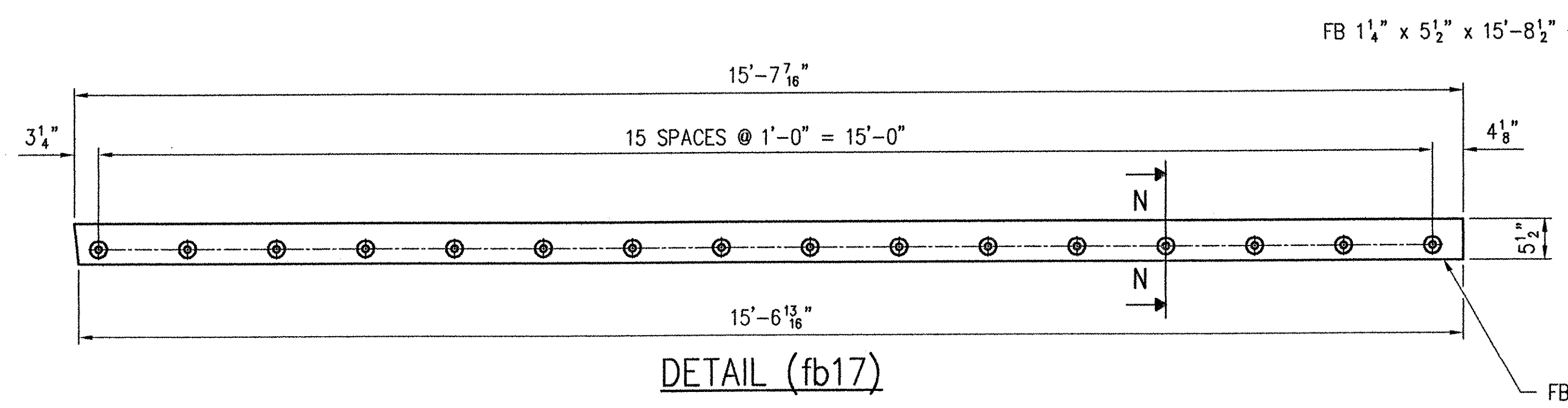
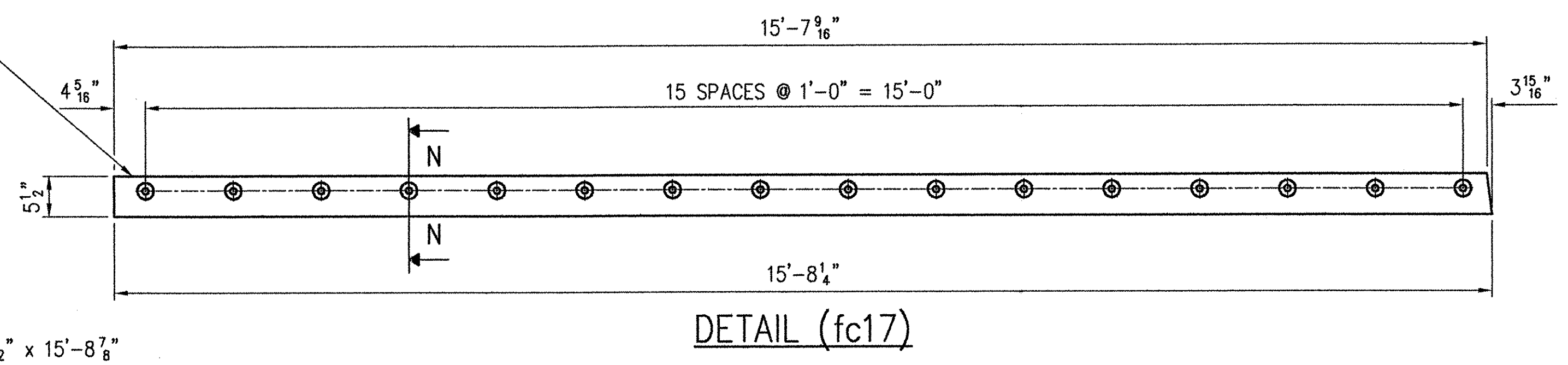
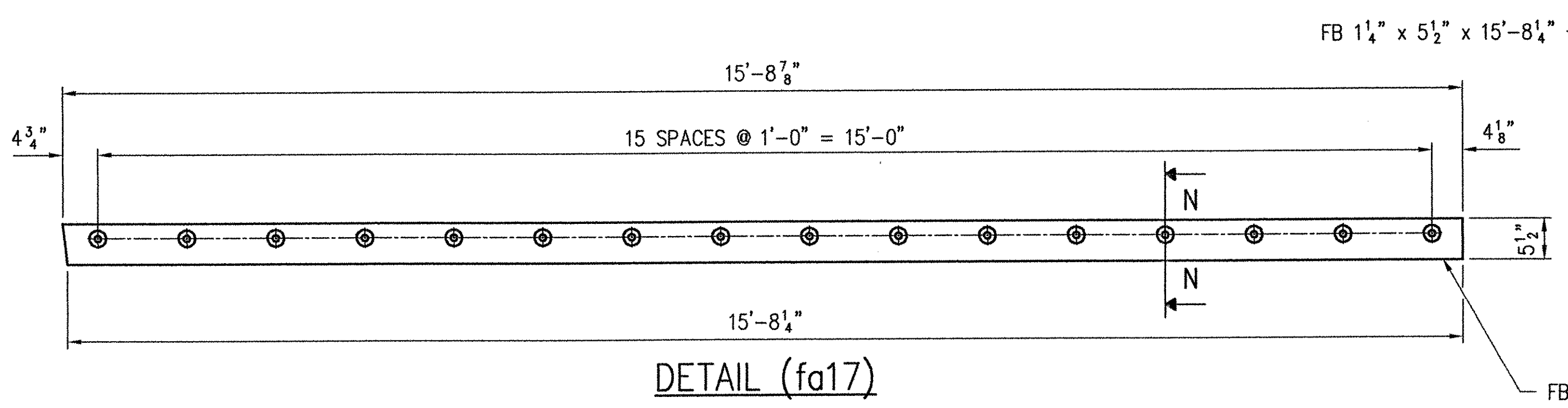


SHOP NOTE:  
COAT BOLT & FERRULE  
THREADS WITH "NEVER-  
SEIZE" GREASE.



SEE SHEET NO. 30 FOR GENERAL NOTES.  
WORK THIS SHEET WITH SHEET NO. 16.

△	GENERAL REVISION PER APPROVAL.	1/11/02	JMB
REV.	DESCRIPTION	DATE	INT.

ANY AND ALL BACKCHARGES WILL BE REJECTED UNLESS WRITTEN CONSENT IS GIVEN BY LEWIS ENGINEERING COMPANY PRIOR TO ANY WORK PERFORMED FOR OUR ACCOUNT. SUCH REJECTION MEANS THAT INVOICES WILL NOT BE HONORED OR DEDUCTIONS FROM PAYMENT WILL BE CHARGED BACK.

**LEWIS ENGINEERING COMPANY**  
4201 NOREX DRIVE - CHASKA, MINNESOTA 55318 - (952) 368-3000

SHOP	
APPROVAL	
DIST.	
CUST.	
FOR DATE	
PRINTS ISSUED	

PROJECT	ROYALTON / RTE. NO. TH 1, CL 1 BRIDGE NO. 3
STATE PROJECT	AC BRZ 1444(22)
FEDERAL PROJECT	
CUSTOMER	BECK & BELLUCCI, INC.
LOCATION	WINDSOR COUNTY, VT
DESCRIPTION	EXPANSION JOINT DETAILS ABUTMENT NO. 1
W.P. chkd	Orig
Drawn By	JMB
Chkd. By	TSF
Date:	12/20/01
LEC. 17 OF 30	SHEET NO. 2 OF 15
Job. No. : 2034.1042.1	

RECEIVED  
OK'D BY: [Signature] OK'D BY: [Signature]  
JAN 21 2002  
RESUBMIT APPROVED [Signature]  
BY: [Signature] DATE: 1/24/02