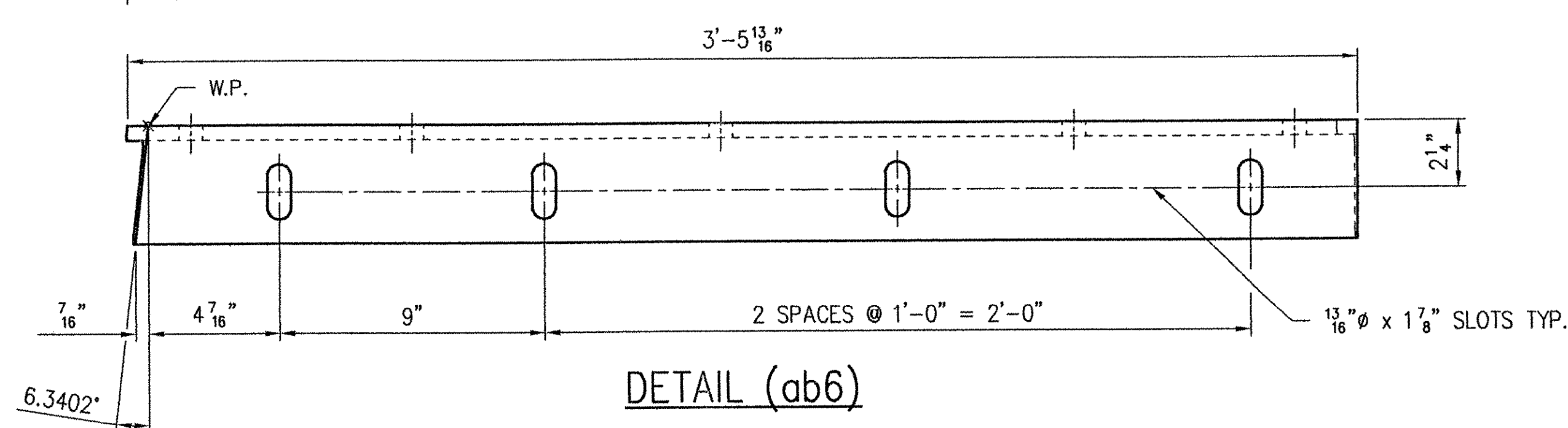
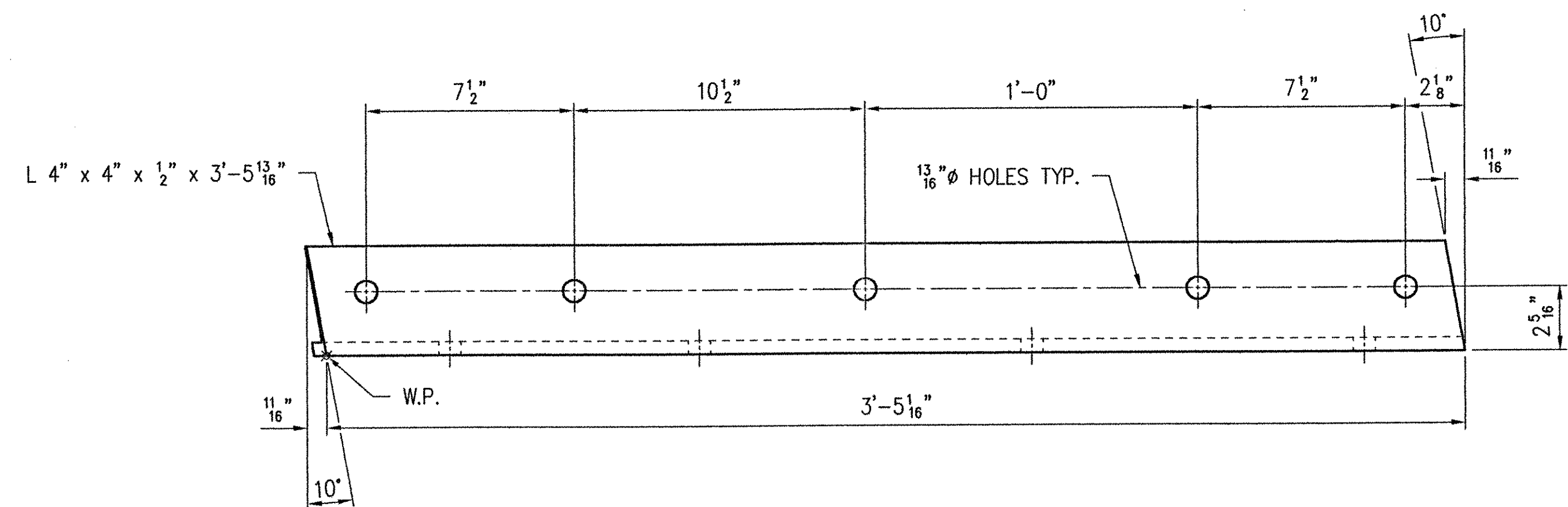
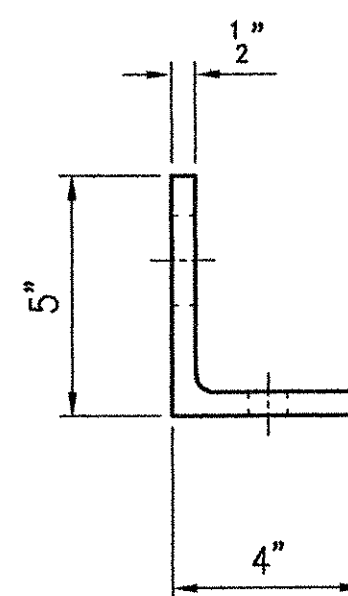
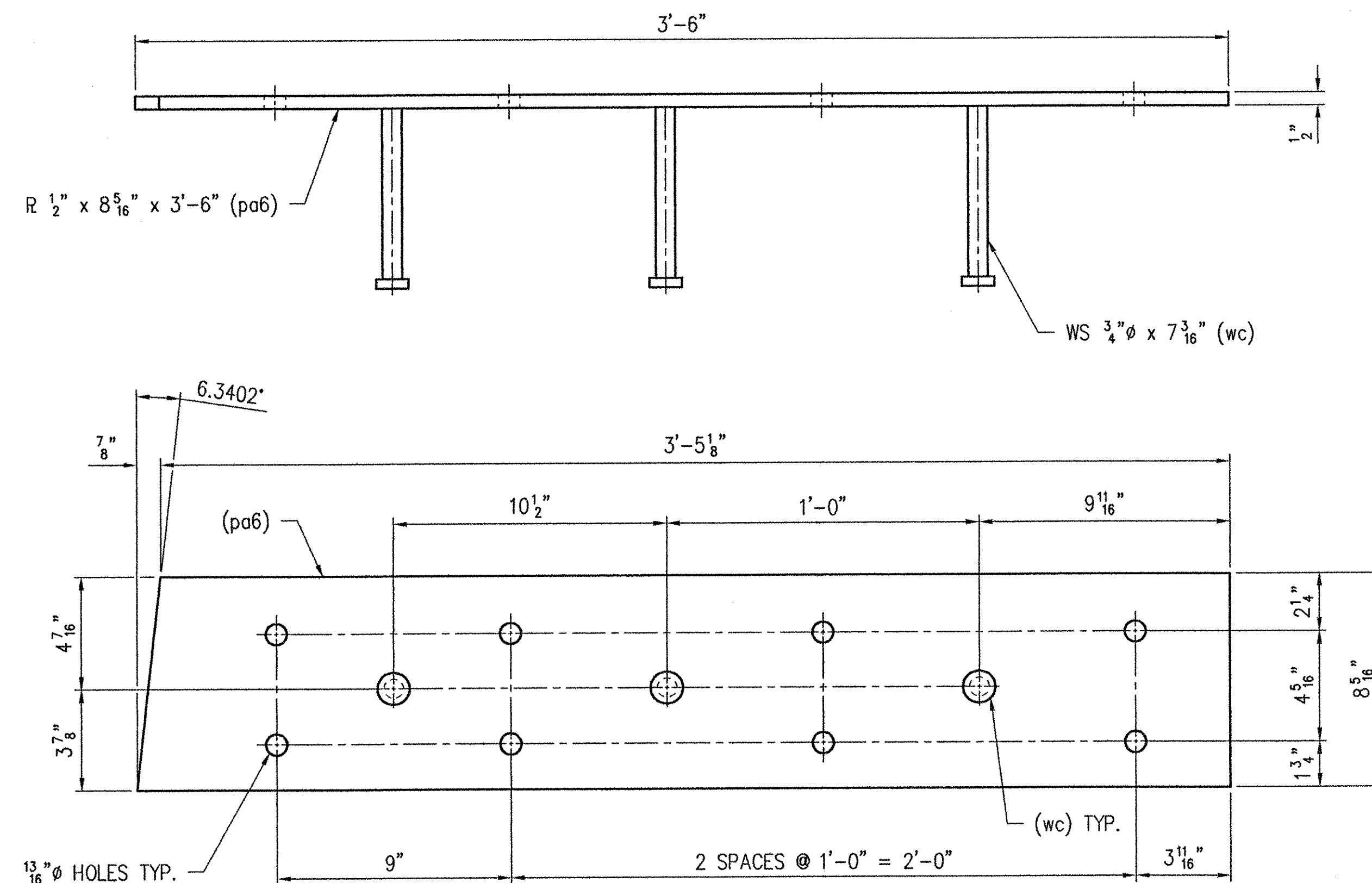
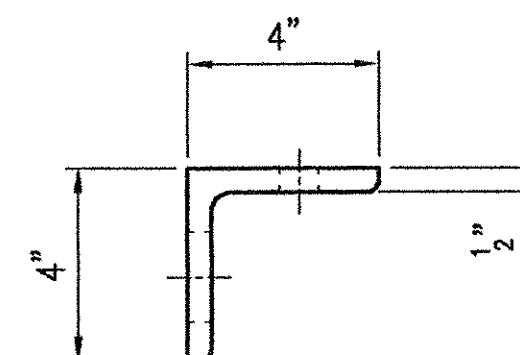


DETAIL (aa6)



DETAIL (ab6)



1 - SUB-ASSEMBLY - 6A

SEE SHEET NO. 15 FOR GENERAL NOTES.
WORK THIS SHEET WITH SHEET NO. 3, 4, 5 & 7.

REV.	DESCRIPTION	DATE	INT.
ANY AND ALL BACKCHARGES WILL BE REJECTED UNLESS WRITTEN CONSENT IS GIVEN BY LEWIS ENGINEERING COMPANY PRIOR TO ANY WORK PERFORMED FOR OUR ACCOUNT. SUCH REJECTION MEANS THAT INVOICES WILL NOT BE HONORED OR DEDUCTIONS FROM PAYMENT WILL BE CHARGED BACK.			
LEWIS ENGINEERING COMPANY 4201 NOREX DRIVE - CHASKA, MINNESOTA 55318 - (952) 368-3000			
PROJECT	ROYALTON / RTE. NO. TH 1, CL 1 BRIDGE NO. 3		
STATE PROJECT	AC BRZ 1444(22)		
FEDERAL PROJECT			
CUSTOMER	BECK & BELLUCCI, INC.		
LOCATION	WINDSOR COUNTY, VT		
DESCRIPTION	EXPANSION JOINT DETAILS ABUTMENT NO. 2		
FOR DATE			
PRINTS ISSUED			
L.E.C. 6 OF 30		SHEET NO. 6 OF 15	Job. No. : 2034.1042.1

RECEIVED
OK'D BY 1085 OK'D BY
JAN 11 2002
RESUBMIT APPROVED
BY CPW DATE 1/11/02

W.P. chkd
Drawn By JMB
Chkd. By TSF
Date: 12/5/01