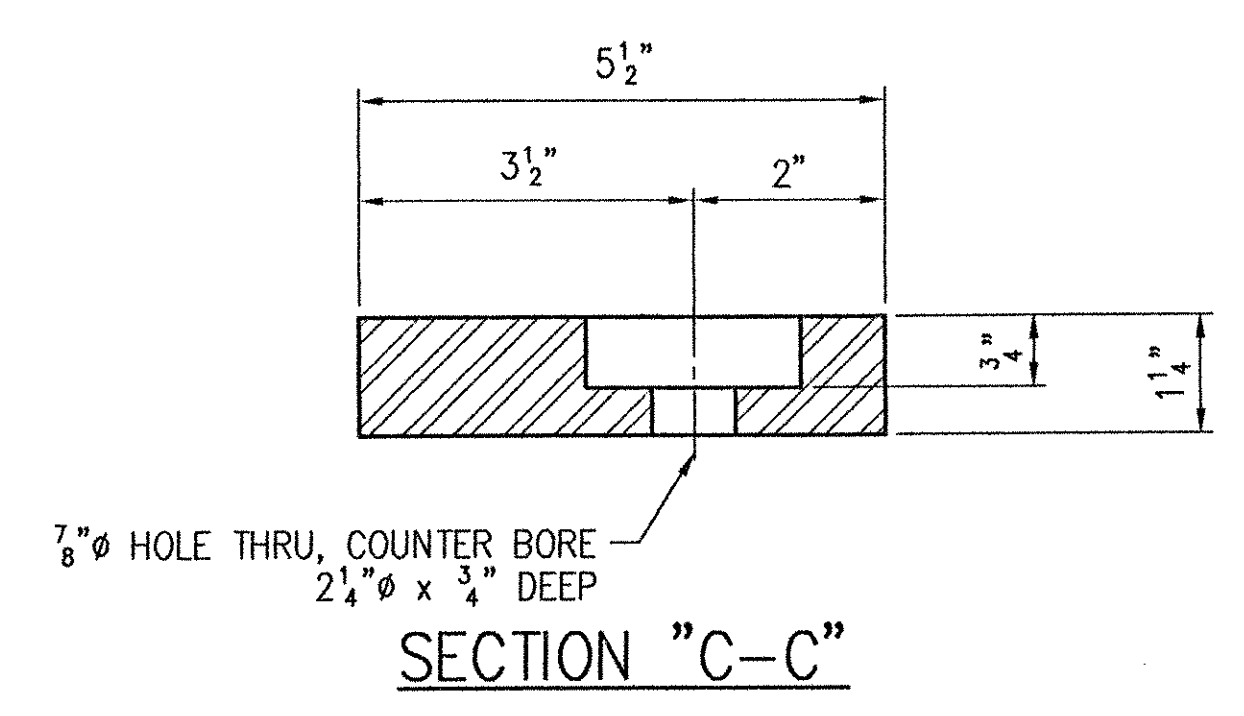
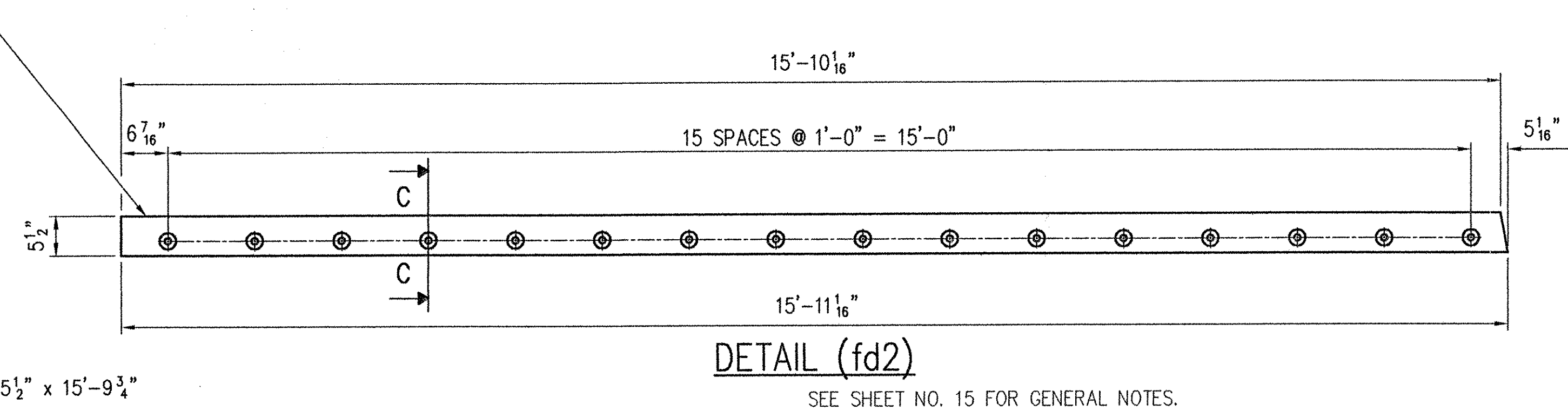
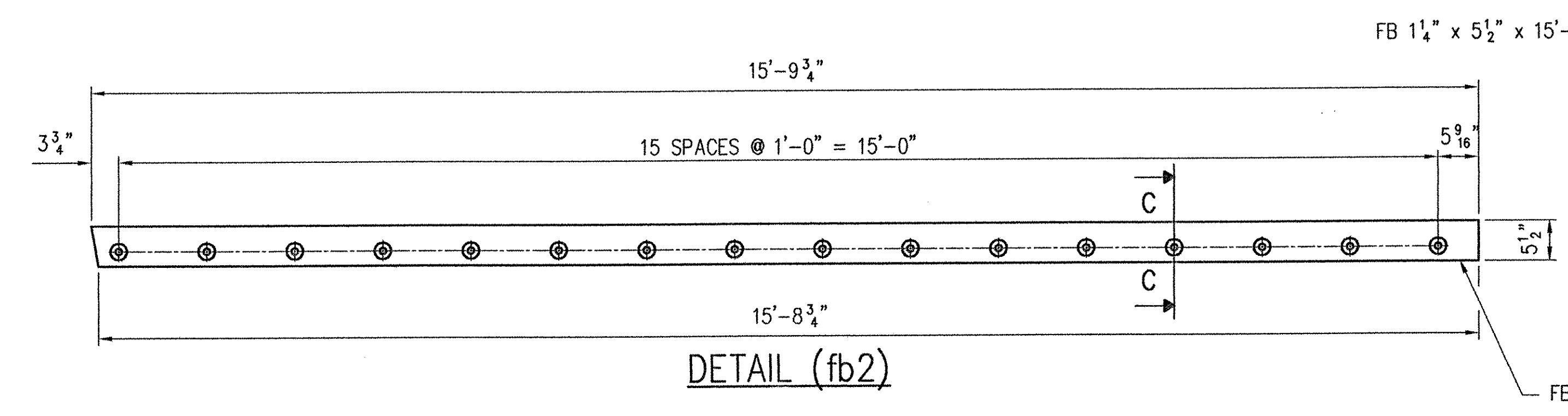
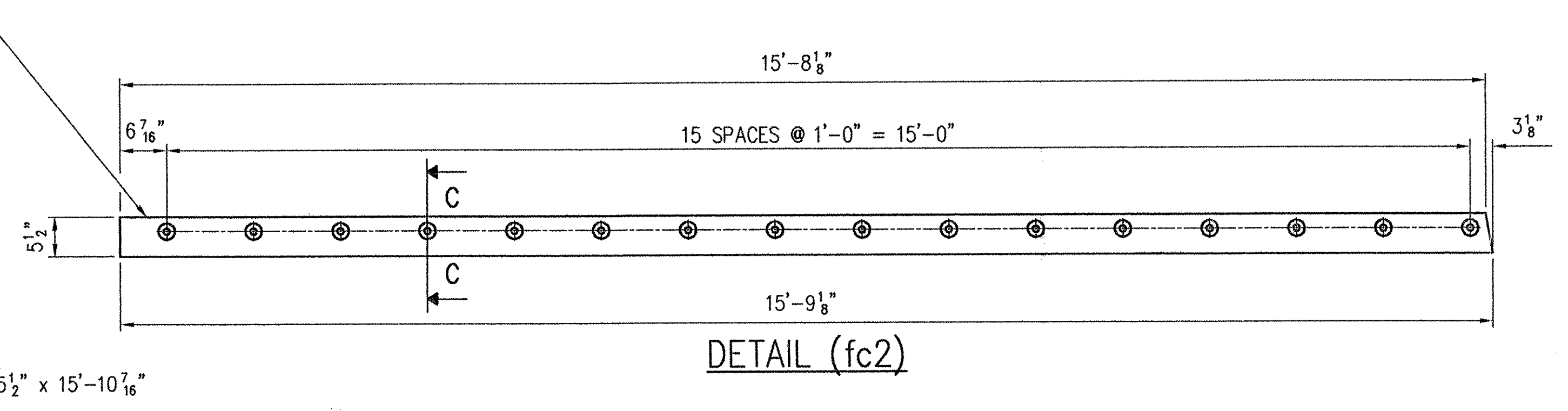
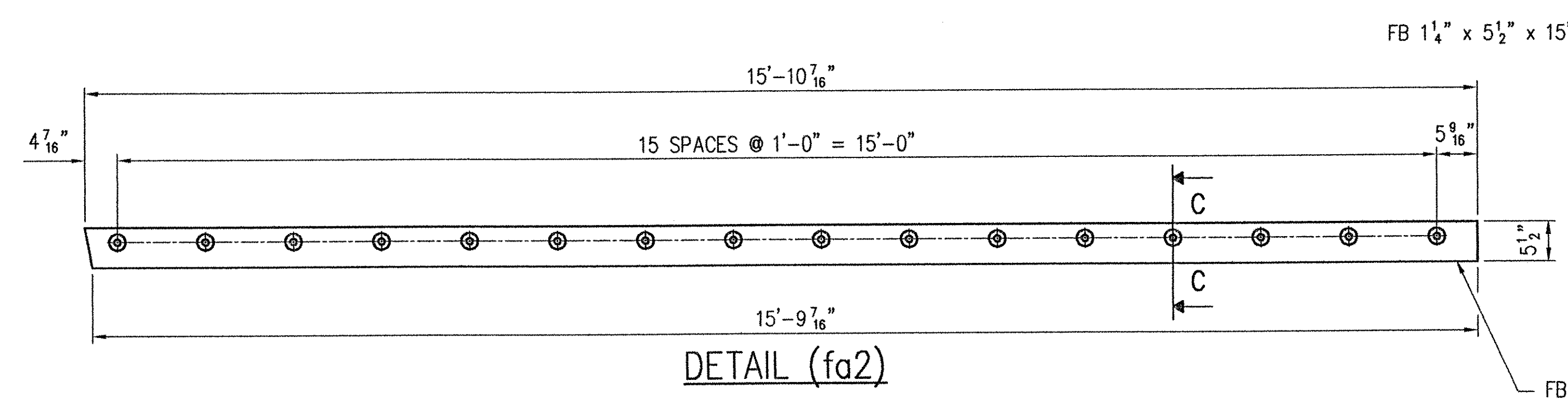


SHOP NOTE:  
COAT BOLT & FERRULE  
THREADS WITH "NEVER-  
SEIZE" GREASE.



SEE SHEET NO. 15 FOR GENERAL NOTES.  
WORK THIS SHEET WITH SHEET NO. 1.

REV.	DESCRIPTION	DATE	INT.
1	GENERAL REVISION PER APPROVAL	1/2/02	JMB

ANY AND ALL BACKCHARGES WILL BE REJECTED UNLESS WRITTEN CONSENT IS GIVEN BY LEWIS ENGINEERING COMPANY PRIOR TO ANY WORK PERFORMED FOR OUR ACCOUNT. SUCH REJECTION MEANS THAT INVOICES WILL NOT BE HONORED OR DEDUCTIONS FROM PAYMENT WILL BE CHARGED BACK.

**LEWIS ENGINEERING COMPANY**  
4201 NOREX DRIVE - CHASKA, MINNESOTA 55318 - (952) 368-3000

SHOP	PROJECT	ROYALTON / RTE. NO. TH 1, CL 1 BRIDGE NO. 3
APPROVAL	STATE PROJECT	AC BRZ 1444(22)
DIST.	FEDERAL PROJECT	
CUST.	CUSTOMER	BECK & BELLUCCI, INC.
FOR DATE PRINTS ISSUED	LOCATION	WINDSOR COUNTY, VT
	DESCRIPTION	EXPANSION JOINT DETAILS ABUTMENT NO. 2
	L.E.C. 2 OF 30	SHEET NO. 2 OF 15
		Job. No. : 2034.1042.1

RECEIVED  
CND BY WBS DND BY  
JAN 11 2002  
RESUBMIT BY CPW APPROVED DATE 1/11/02

Orig  
W.P. chkd  
Drawn By JMB  
Chkd. By TSF  
Date: 12/5/01