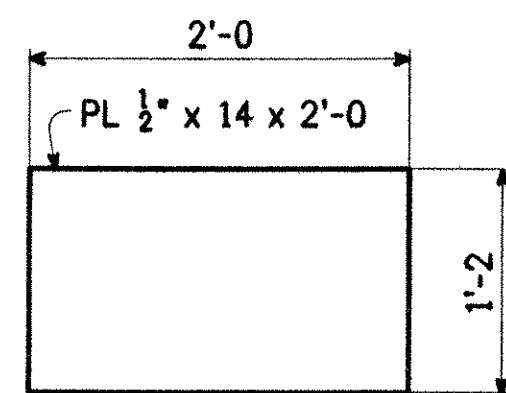
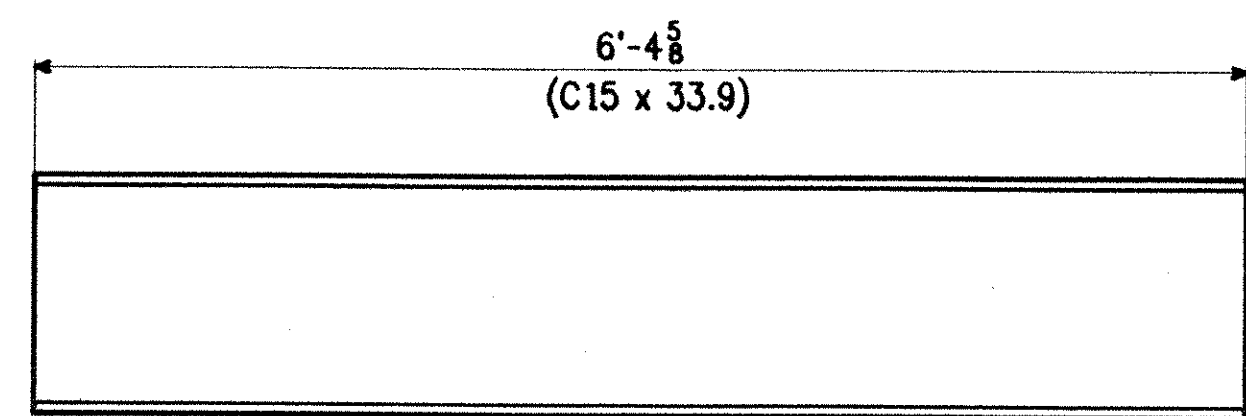


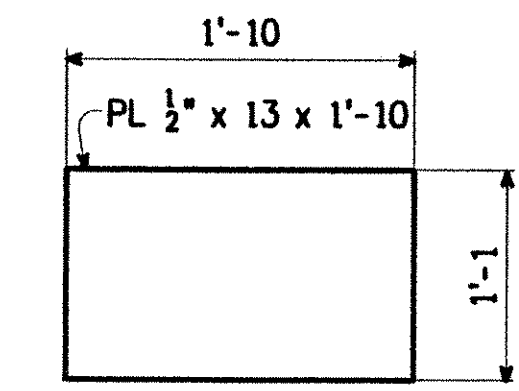
DETAIL OF p1
(8 REQ'D)
(ABUT. CF)



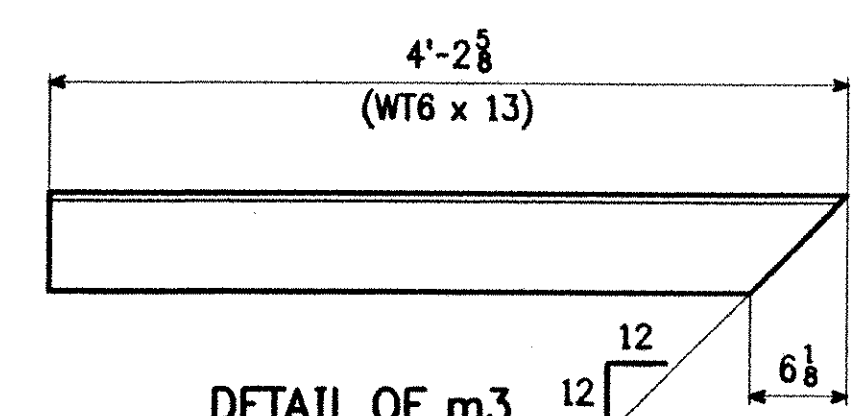
DETAIL OF p8
(4 REQ'D)
(PIER CF)



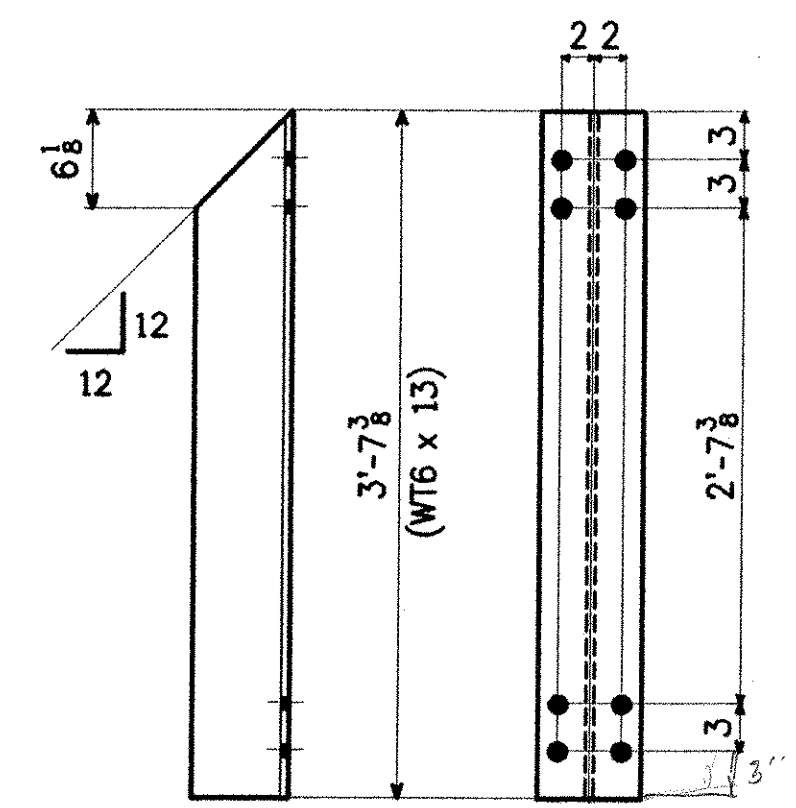
DETAIL OF m1
(16 REQ'D)
(ABUT. & PIER CF)



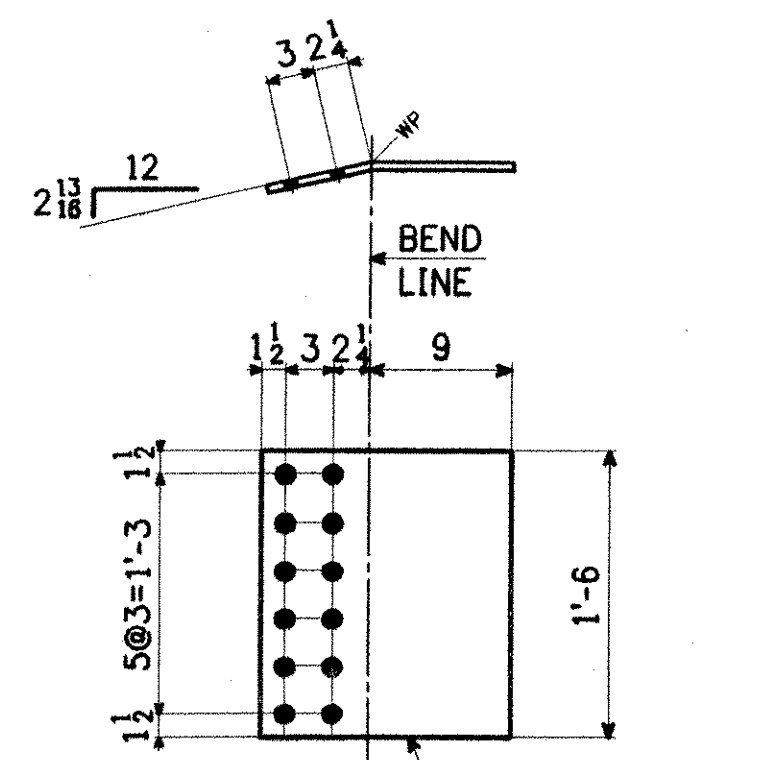
DETAIL OF p9
(56 REQ'D)
(INT. CF)



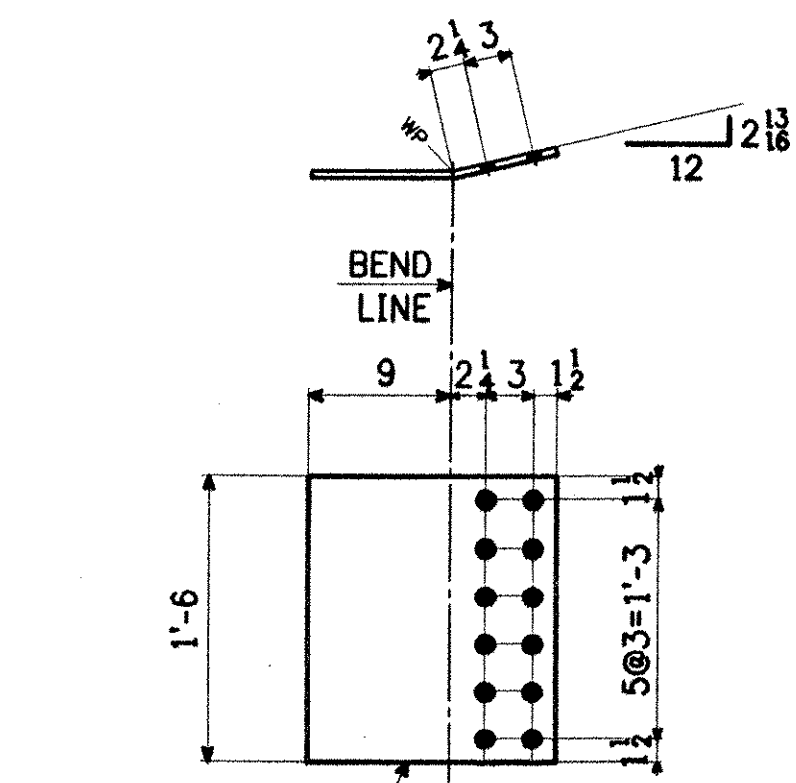
DETAIL OF m3
(26 REQ'D)
(BRKT)



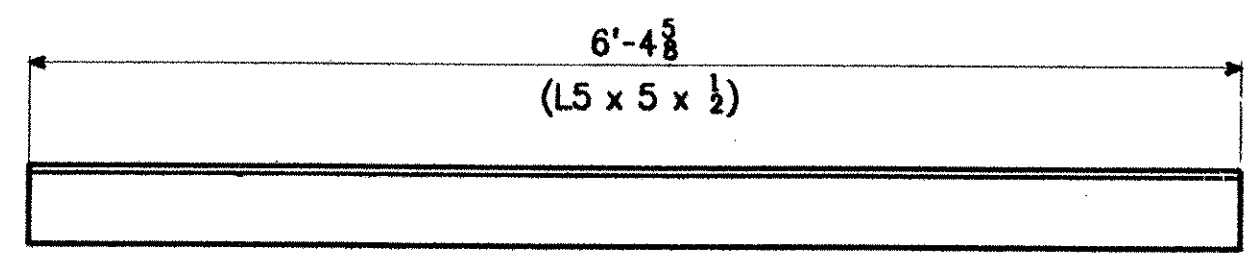
DETAIL OF m4
(26 REQ'D)
(BRKT)



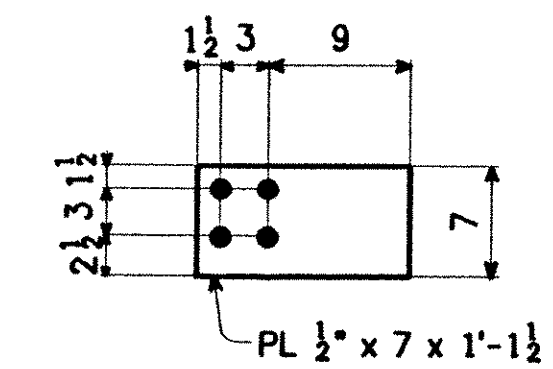
DETAIL OF p2
(12 REQ'D)
(ABUT. & PIER CF)



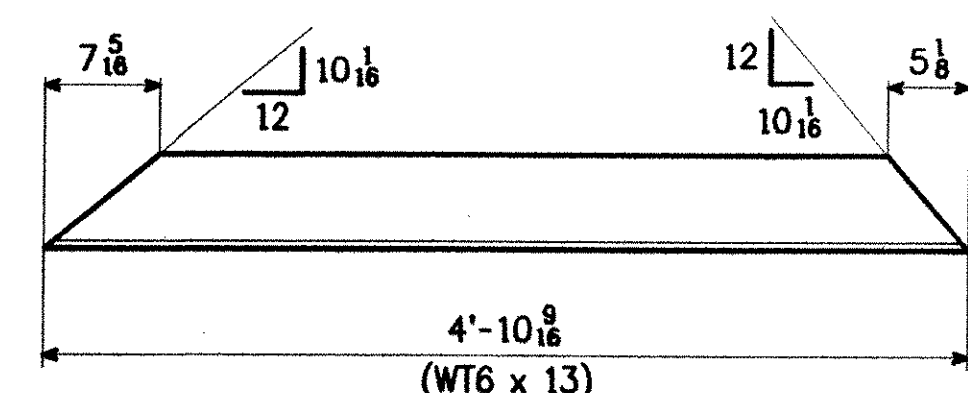
DETAIL OF p3
(12 REQ'D)
(ABUT. & PIER CF)



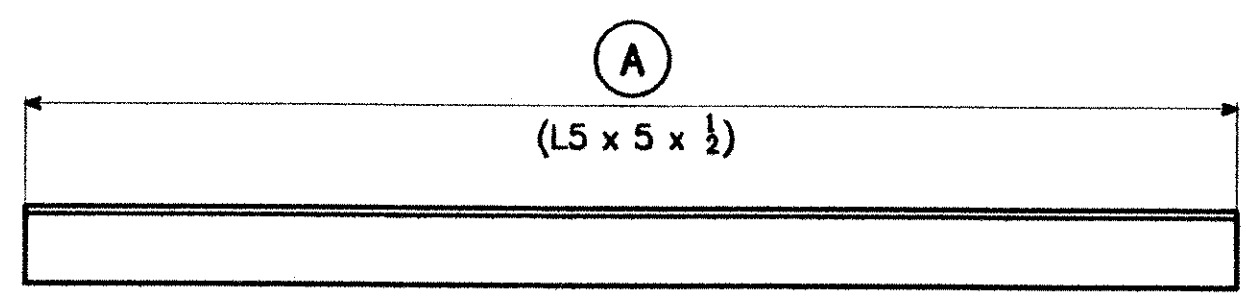
DETAIL OF a1
(8 REQ'D)
(ABUT. CF)



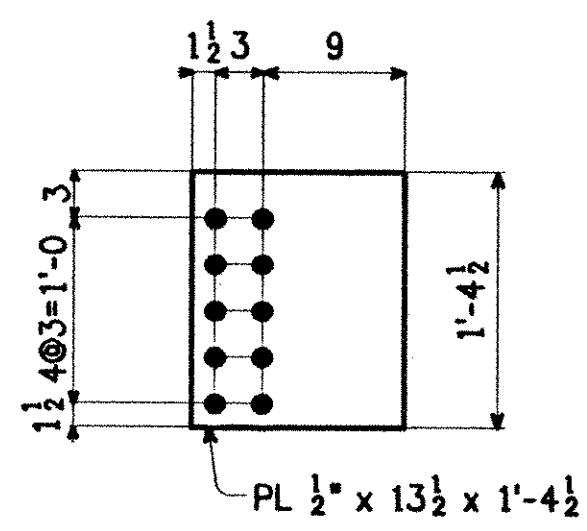
DETAIL OF p10
(112 REQ'D)
(INT. CF)



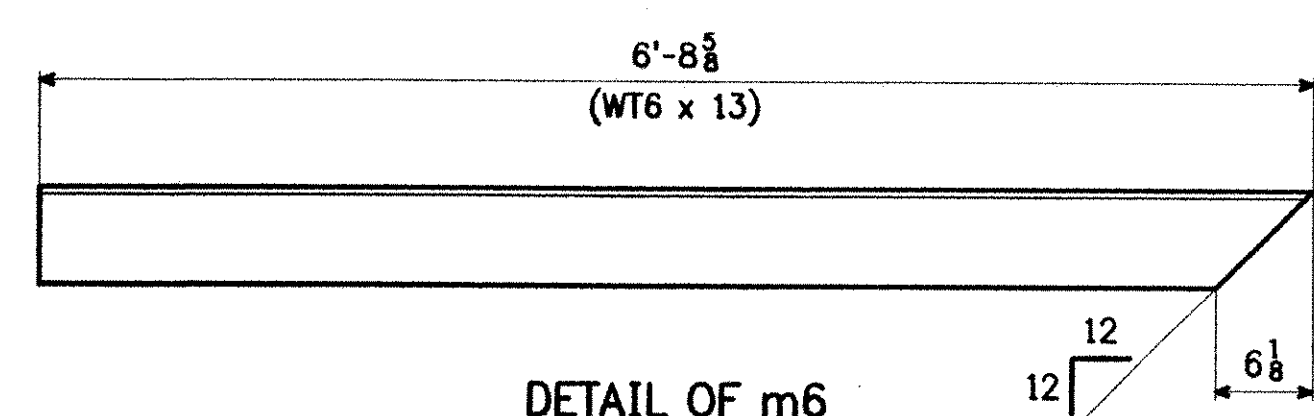
DETAIL OF m5
(26 REQ'D)
(BRKT)



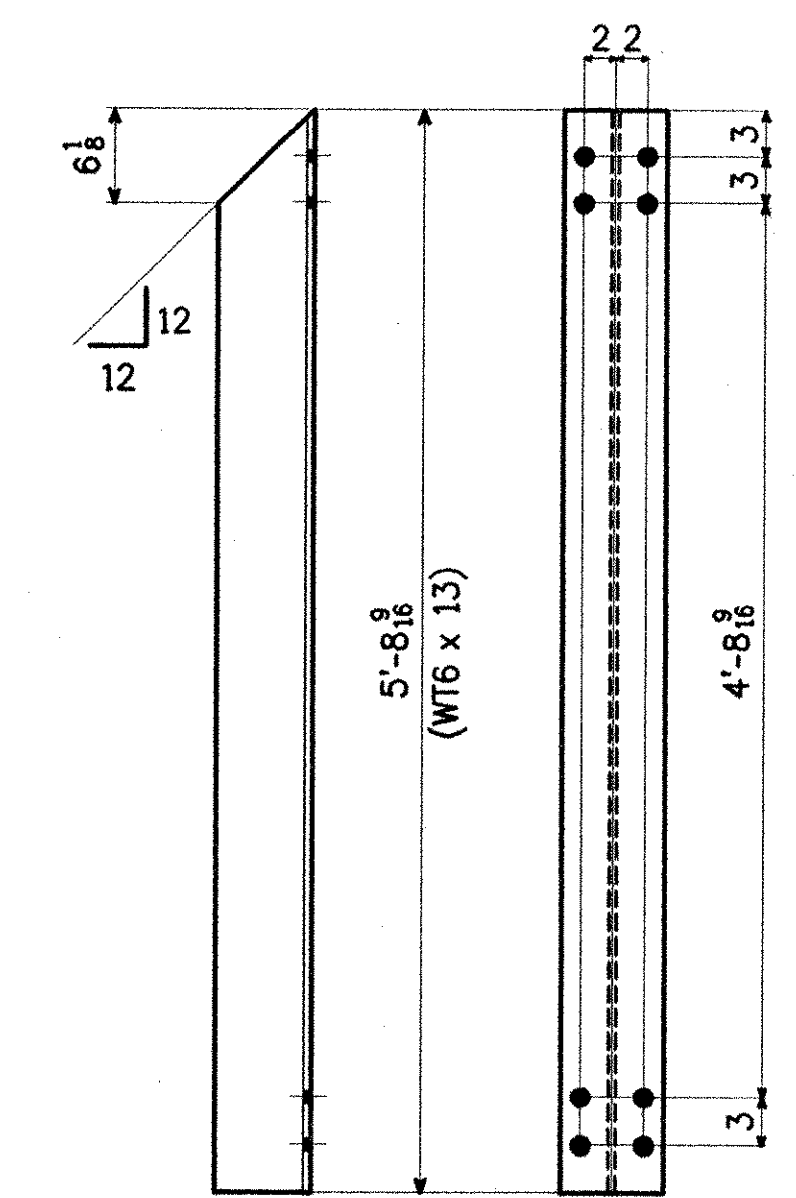
DIAGONALS
(ABUT., PIER & INT. CF)



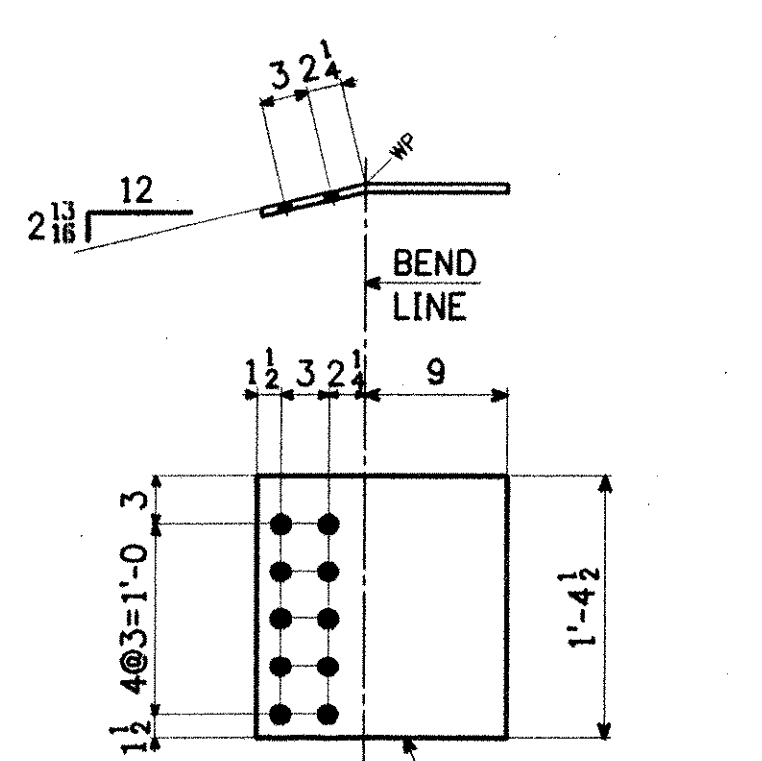
DETAIL OF p11
(112 REQ'D)
(INT. CF)



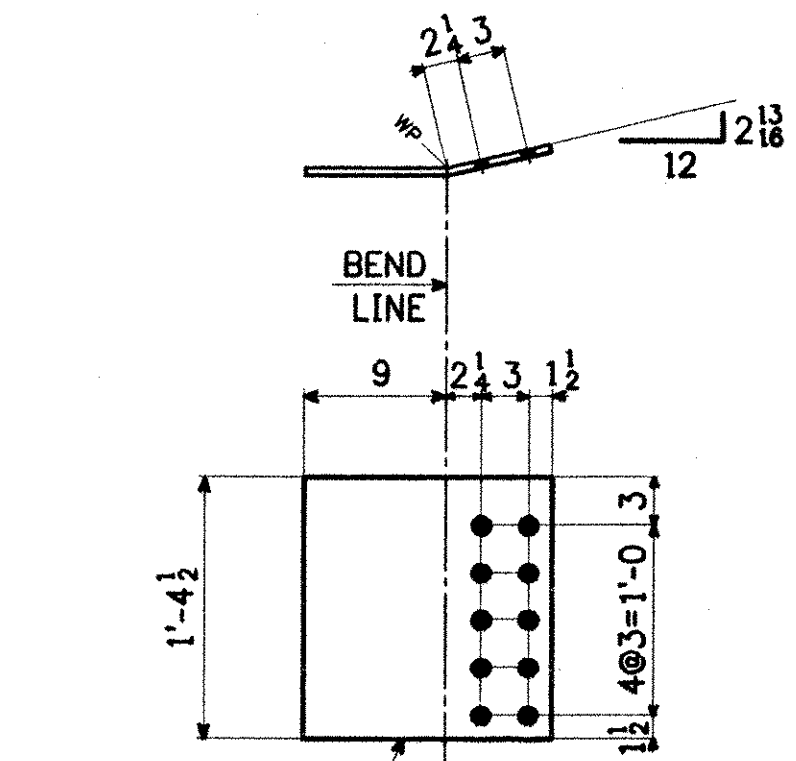
DETAIL OF m6
(4 REQ'D)
(BRKT)



DETAIL OF m7
(4 REQ'D)
(BRKT)



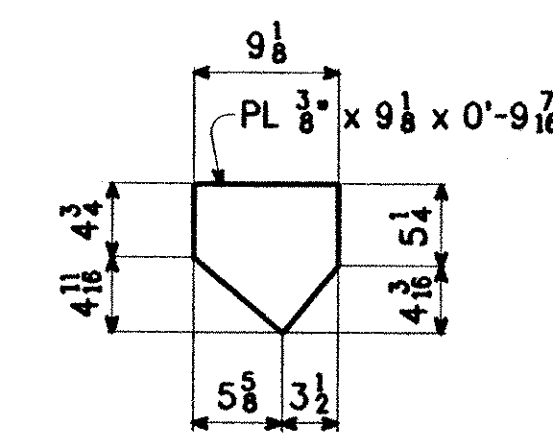
DETAIL OF p4
(8 REQ'D)
(ABUT. CF)



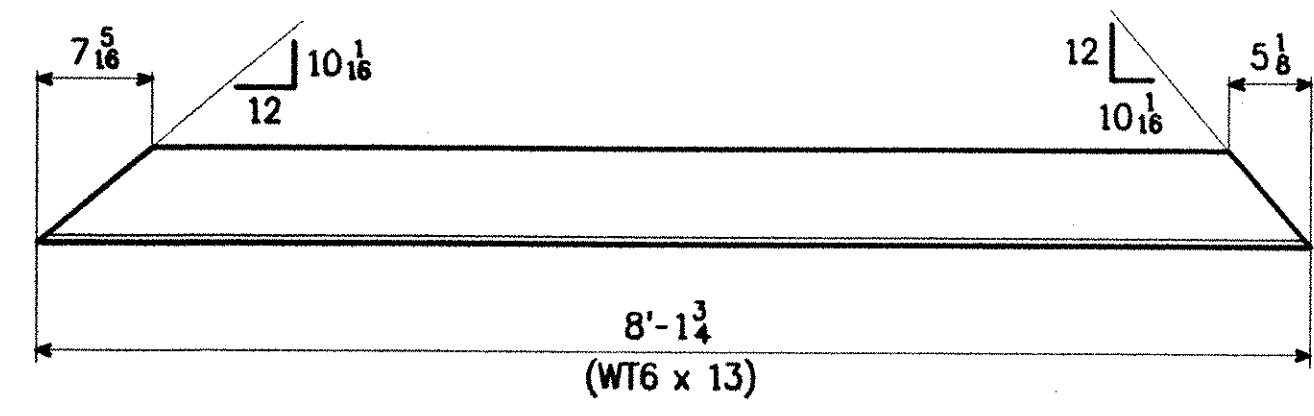
DETAIL OF p5
(8 REQ'D)
(ABUT. CF)

MARK	NO. REQ'D	(A)
ABT. a2	1	4'-2 3/8
ABT. a3	1	3'-11 5/8
ABT. a4	1	4'-1 13/16
ABT. a5	1	4'-0 1/4
ABT. a6	1	4'-0 9/16
ABT. a7	1	4'-1 1/4
ABT. a8	1	4'-0 3/8
ABT. a9	1	4'-1 13/16
ABT. a10	1	4'-2
ABT. a11	1	4'-0
ABT. a12	2	4'-2 3/8

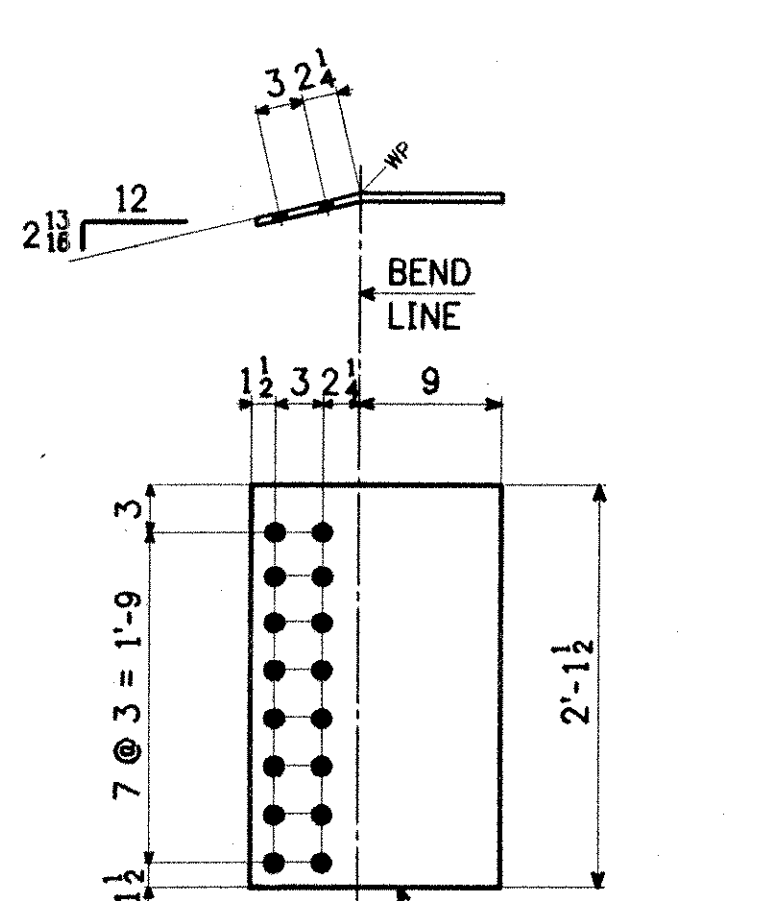
MARK	NO. REQ'D	(A)
ABT. a13	2	3'-11 11/16
ABT. a14	1	4'-0 5/8
ABT. a15	1	4'-1 3/8
PR. a16	1	5'-10 9/16
PR. a17	1	5'-7 3/8
PR. a18	1	5'-10 1/8
PR. a19	1	5'-8 3/8
PR. a20	1	5'-8 1/4
PR. a21	1	5'-9 1/4
INT. a22	96	4'-11 11/16
INT. a23	16	5'-7 3/8
a24	1	5'-10 5/8
a25	1	5'-8 1/8



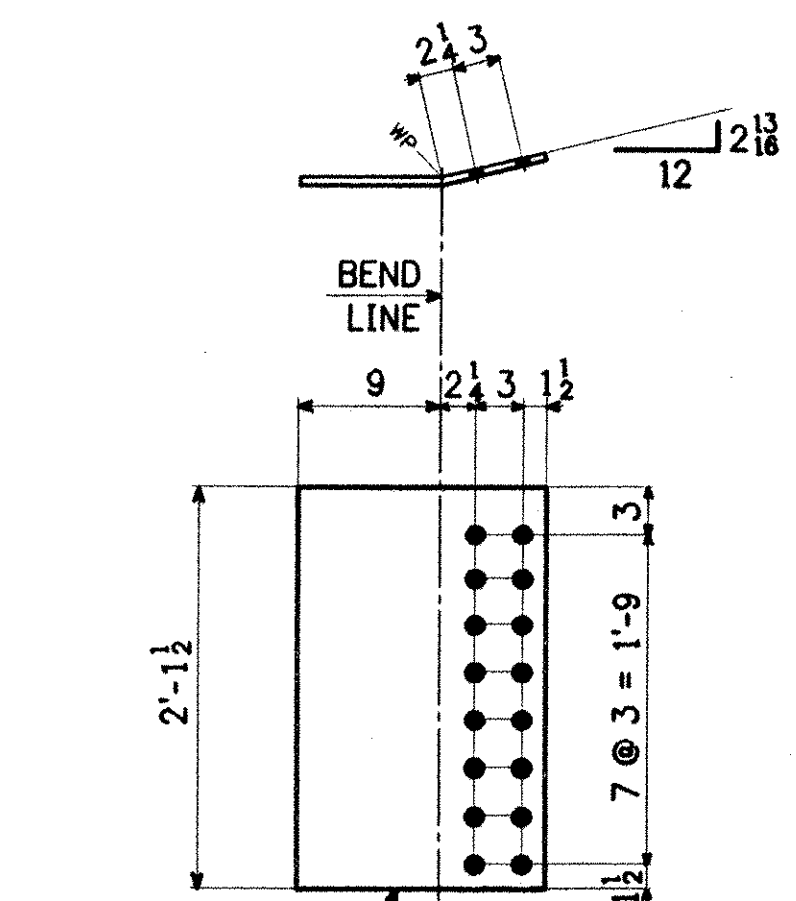
DETAIL OF p12
(60 REQ'D)
(BRACKET)



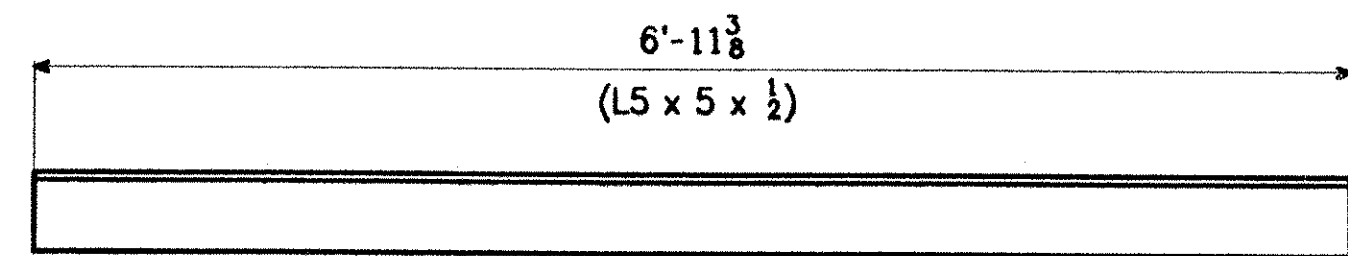
DETAIL OF m8
(4 REQ'D)
(BRKT)



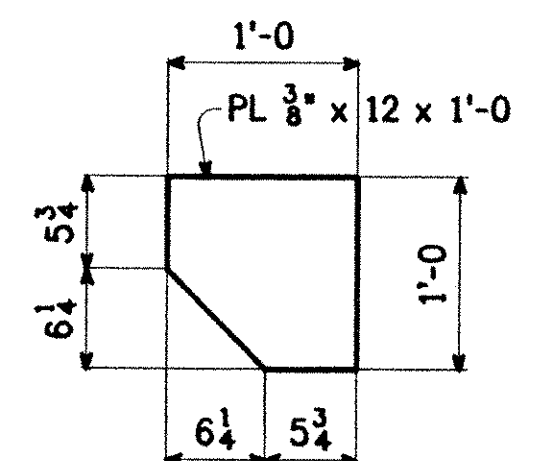
DETAIL OF p6
(4 REQ'D)
(PIER CF)



DETAIL OF p7
(4 REQ'D)
(PIER CF)

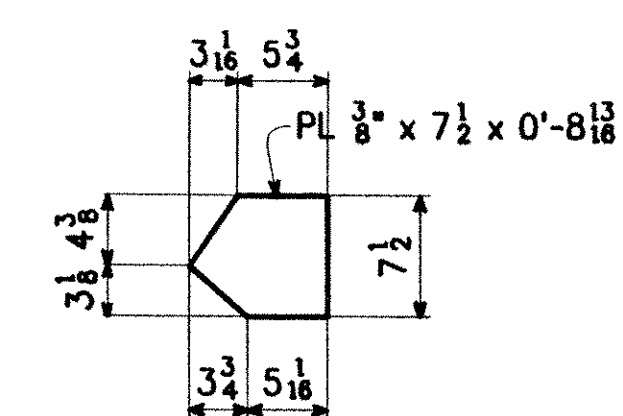


DETAIL OF a24
(112 REQ'D)
(INT. CF)

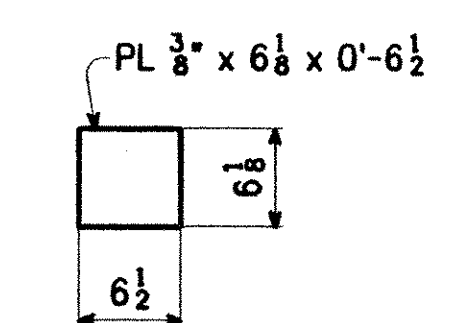


DETAIL OF p13
(60 REQ'D)
(BRACKET)

NOTE:
ALL HOLES TO BE 1 5/8" Ø



DETAIL OF p14
(60 REQ'D)
(BRACKET)



DETAIL OF p15
(60 REQ'D)
(BRACKET)

ITEM NO. 506.55	BR. NO. 3	PROJ. NO. BRZ 1444(22)
TITLE: CROSSFRAME STANDARDS FOR APPROVAL		
APPROVED: _____		
PRINT DIST.	4-7-01	APPR.
ORIG.	7-13-01	FAB.
	8-24-01	APP
JOB: T.H. 1 OVER THE WHITE RIVER ROYALTON, VERMONT		
CUSTOMER: BECK & BELLUCCI, INC.		
DESIGNER: VERMONT AGENCY OF TRANSPORTATION		
CHECKED	TS	3/01
DRAWN	AV	3/01
WORK ORDER NO.	DRAWING NO.	REV.
15873	20-1	A

RECEIVED
CHK'D BY WJS OK'D BY _____
AUG 27 2001
RESUBMIT BY CPW DATE 8/28/01 APPROVED _____

OK