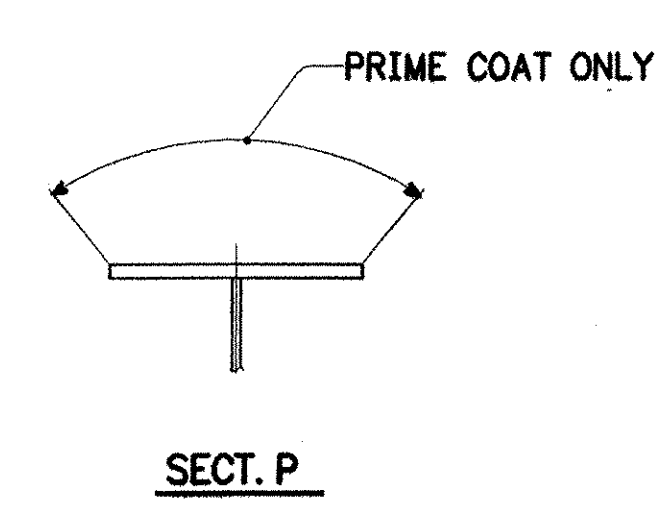
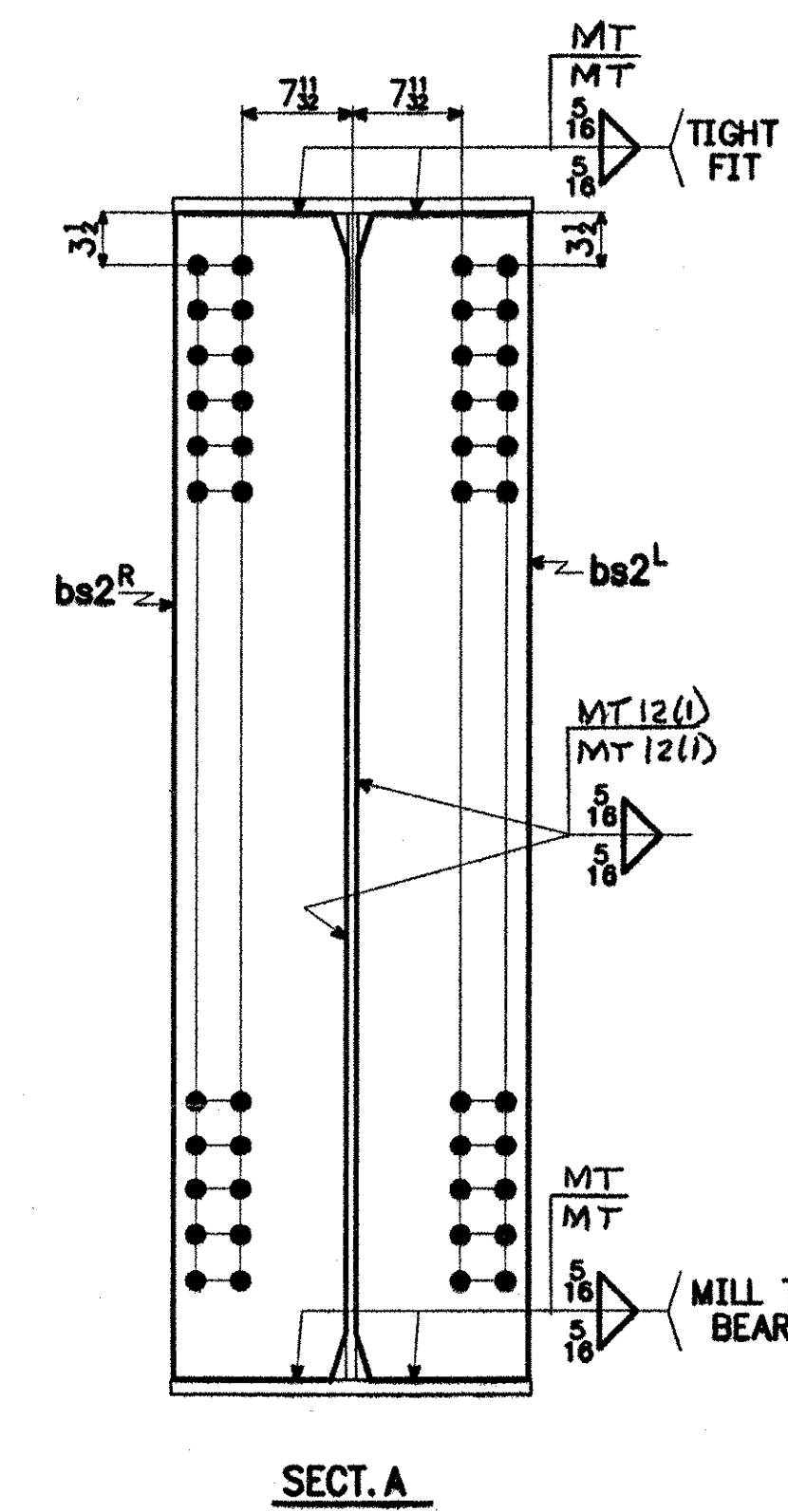


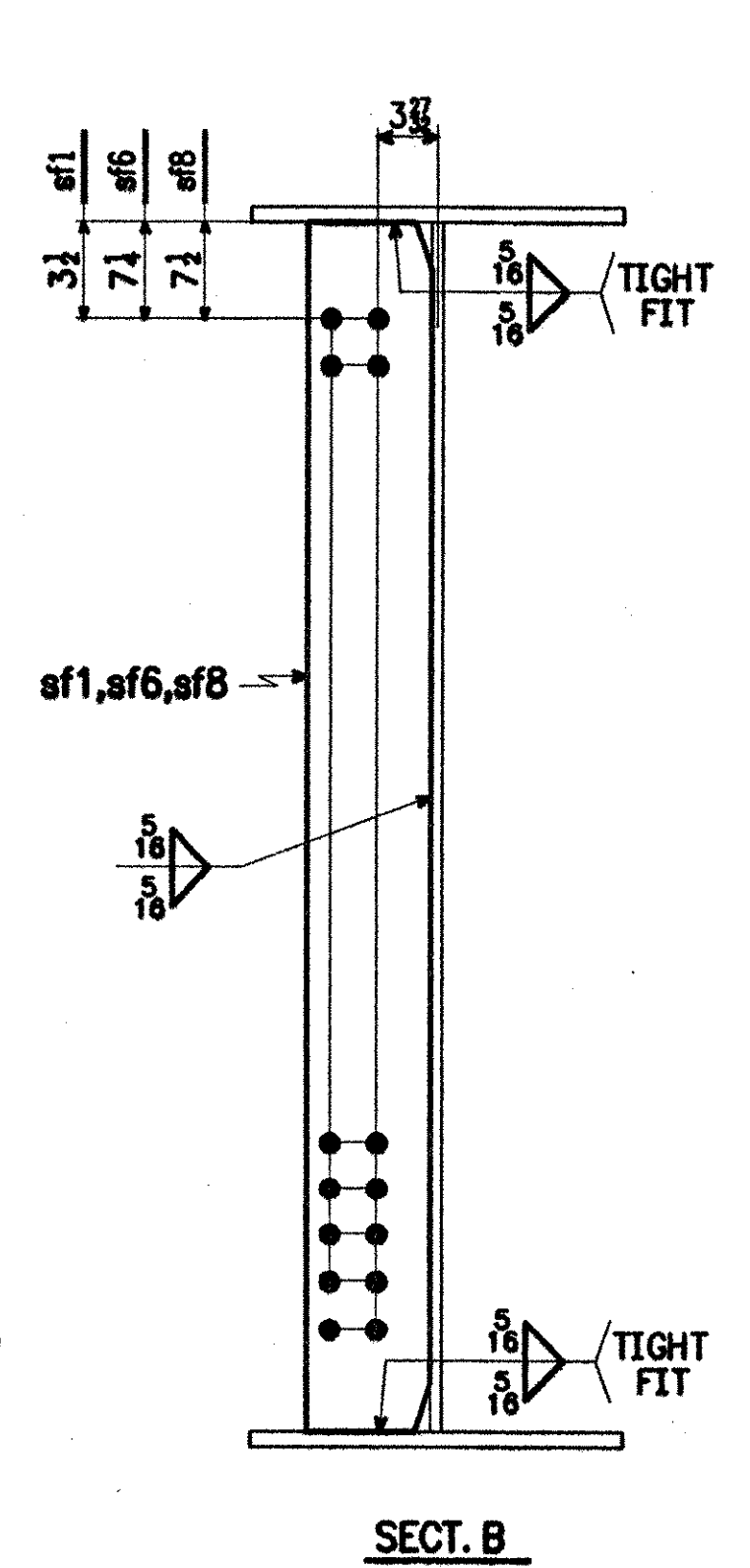
SECTION D
*PRIME COAT ONLY BOTT. OF BOTT. FLG. AND EDGES



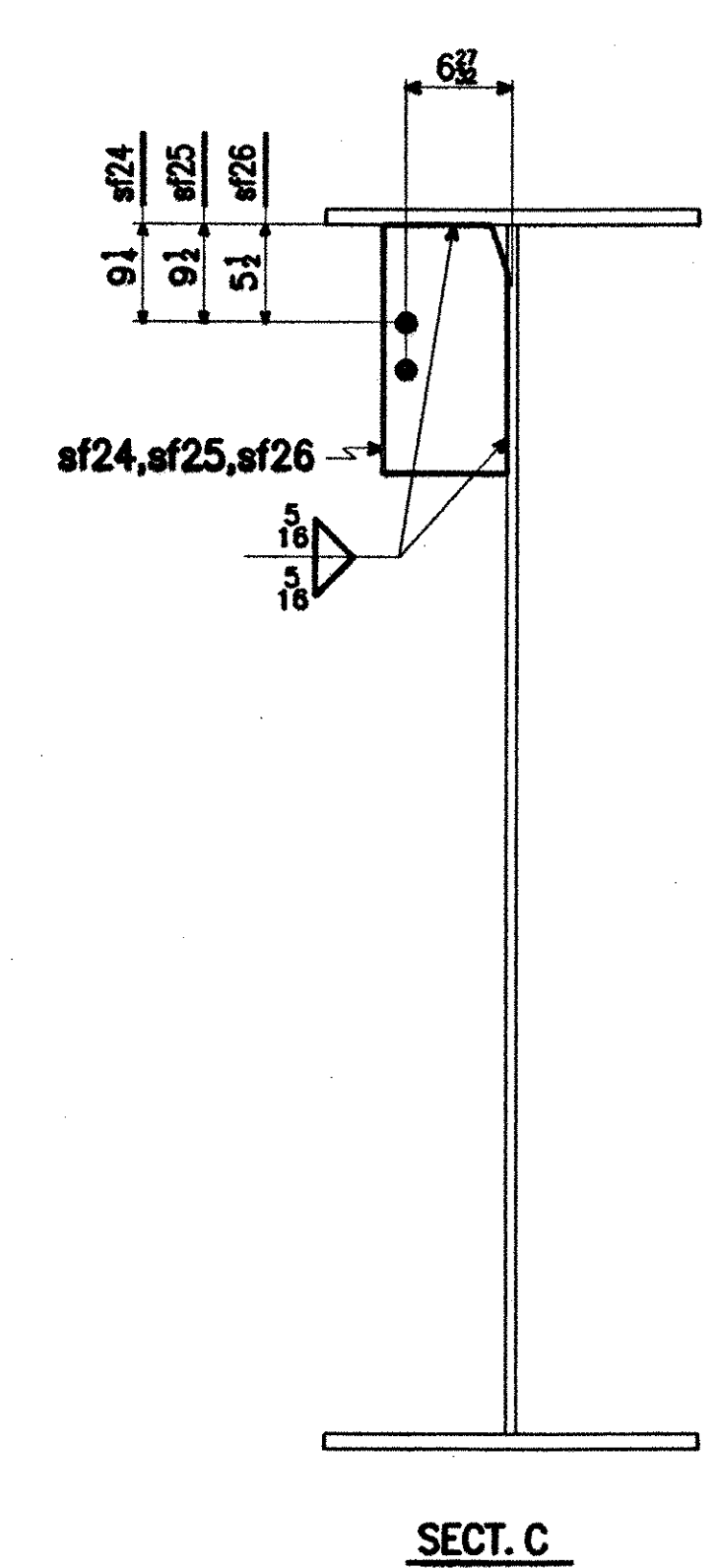
SECTION P
PRIME COAT ONLY



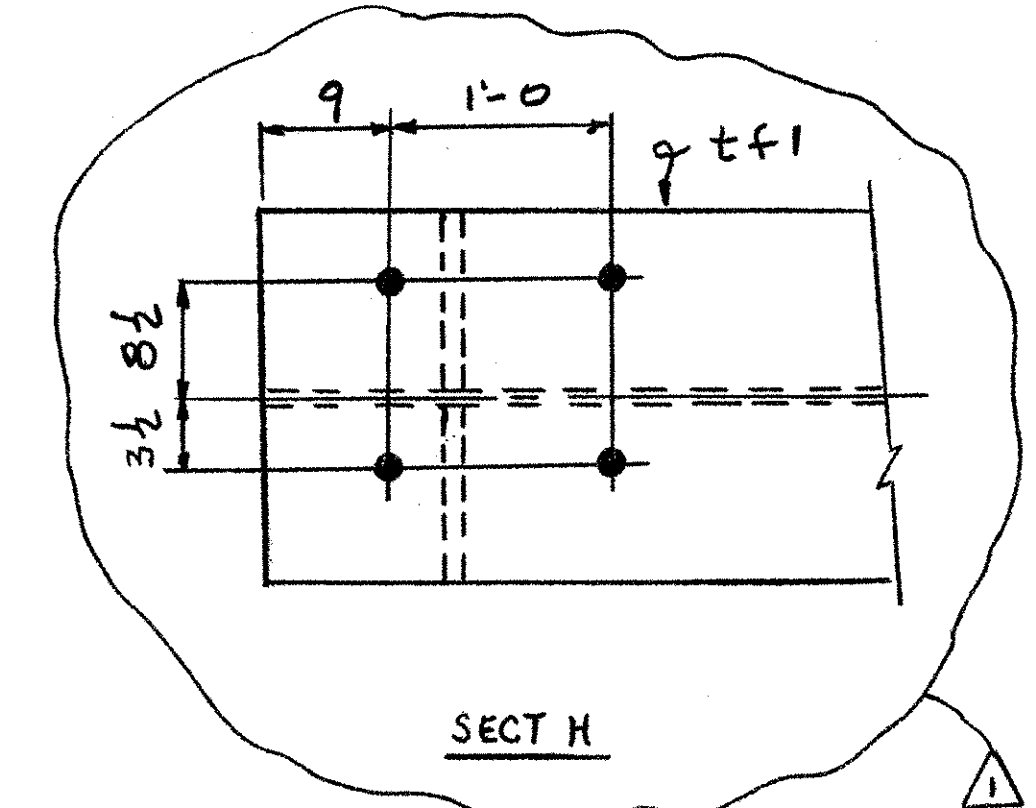
SECTION A



SECTION B



SECTION C



SECTION H

1 ~ GIRDER ~ G4A
GIRDER

- NOTES:**
- FOR GENERAL NOTES, SEE SHT. GN1.
 - FOR GIRDER CAMBER DIAGRAM, SEE DWG. 12-2.
 - FOR GIRDER STANDARD DETAILS, SEE DWG. 12-9.
 - FOR FIELD SPLICE DETAIL, SEE DWG. 12-10.

RECEIVED
CND BY LWS OK'D BY
DEC 27 2001
RESUBMIT APPROVED BY APW DATE 11/02

- FLG, WEB & EXT DIM 12-17-01 AV
- PAINT NOTE 11-19-01 JCM
- SECT H 9-11-01 JCM

SHIP MARK		BILL OF MATERIAL				WORK ORDER NO.	DRAWING NO.	REV.
						15873	12-14	3
NO.	MARK	SHAPE	LENGTH	ITEM NO.	WT.	REMARKS		
G4A								
GIRDER								
1	tf1	PL 1" x 24	55'-0 1/8	3/15	4494	CVN		
1	tf2	PL 1" x 24	77'-6 1/8	3/14	6333	CVN		
1	bf1	PL 1" x 24	54'-11 1/8	3/15	4490	CVN		
1	bf2	PL 1" x 24	77'-6 1/8	3/14	6332	CVN		
1	wp1	PL 1/2 x 78	53'-1 1/8	3/13		CVN		
1	wp2	PL 1/2 x 78	79'-6 1/8	3/12	24185	CVN		
1	bs2 ^L	PL 1 1/2 x 11 1/2	6'-6 1/2	3/11	318	M1E		
1	bs2 ^R	PL 1 1/2 x 11 1/2	6'-6 1/2	3/11	318	M1E		
5	sf1	PL 1/2 x 8	6'-6	3/10	442			
2	sf6	PL 1/2 x 8	6'-6	3/10	177			
3	sf8	PL 1/2 x 8	6'-6	3/10	265			
7	sf24	PL 1/2 x 8	1'-4	3/8	137			
5	sf25	PL 1/2 x 8	1'-4	3/8	91			
12	sf26	PL 1/2 x 8	1'-4	3/8	218			
2	f1	PL 3/8 x 24	3'-4 1/2	3/8	345	CVN		
4	f2	PL 3/8 x 10	3'-4 1/2	3/8	287	CVN		
2	f3	PL 1 1/4 x 24	1'-9 1/8	3/12	368			
2	ws1	PL 3/8 x 72 1/2	1'-7 1/2	3/8	501	CVN		
						49291	#	

STEEL: ASTM A709-36 A709-50 A709-50W Unless Noted

WELDING ELECTRODE: E70 See Welding Proc. None

HOLES: 13/16 15/16 1 1/16 Unless Noted As Noted None

PAINT: None Galv. After Fab. As Noted SEE SHT GN1

SPECIAL PAINT:

SPECIAL CLEANING: Blast Clean SSPC SP10 None

ITEM NO. 506.55 BR. NO. 3 PROJ. NO. BRZ 1444(22)

TITLE: GIRDER ~ G4A

APPROVED: 9-5-01
PRINT DIST.
5 4-7-01 APPR.
ORIG. 9-5-01 FAB.
5 7-13-01 APP
5 8-24-01 APP
5 9-12-01 APP
12 9-12-01 FAB
5 11-19-01 APP
11 11-19-01 FAB
5 12-13-01 APP
11 12-13-01 FAB

FOR APPROVAL

CUSTOMER: BECK & BELLUCCI, INC.

DESIGNER: VERMONT AGENCY OF TRANSPORTATION

WORK ORDER NO. 15873 DRAWING NO. 12-14 REV. 3

REVISER: AV