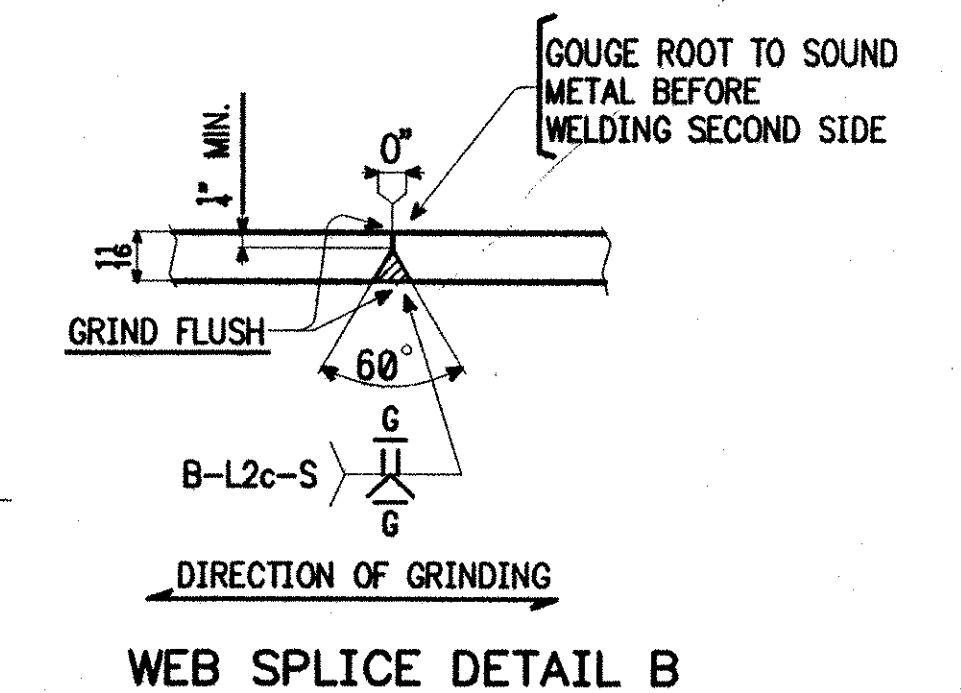
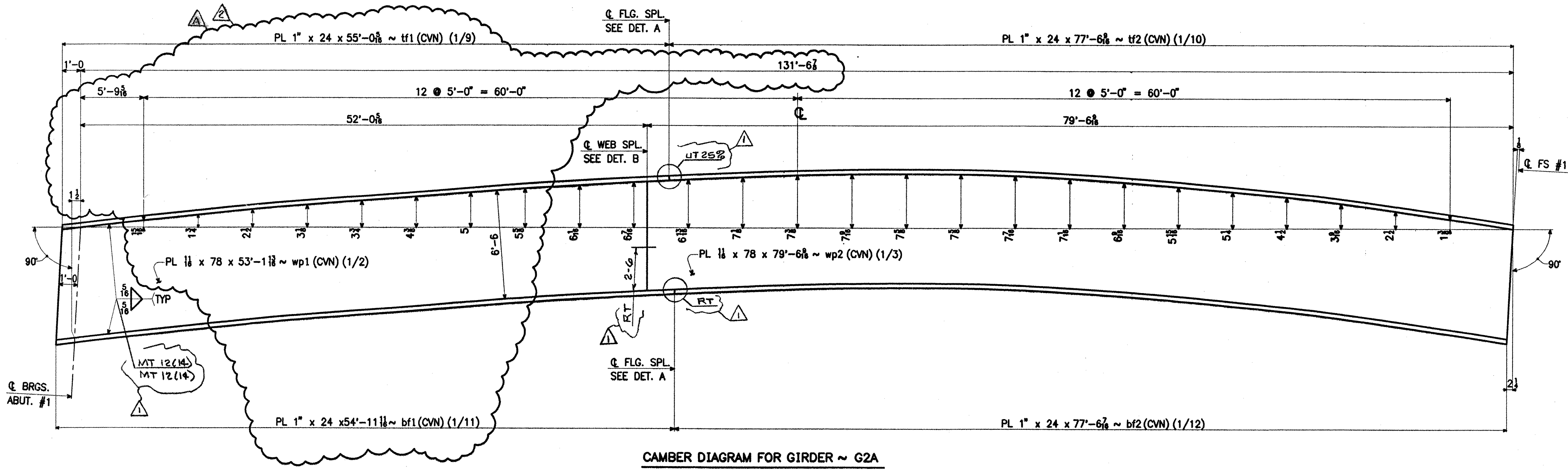
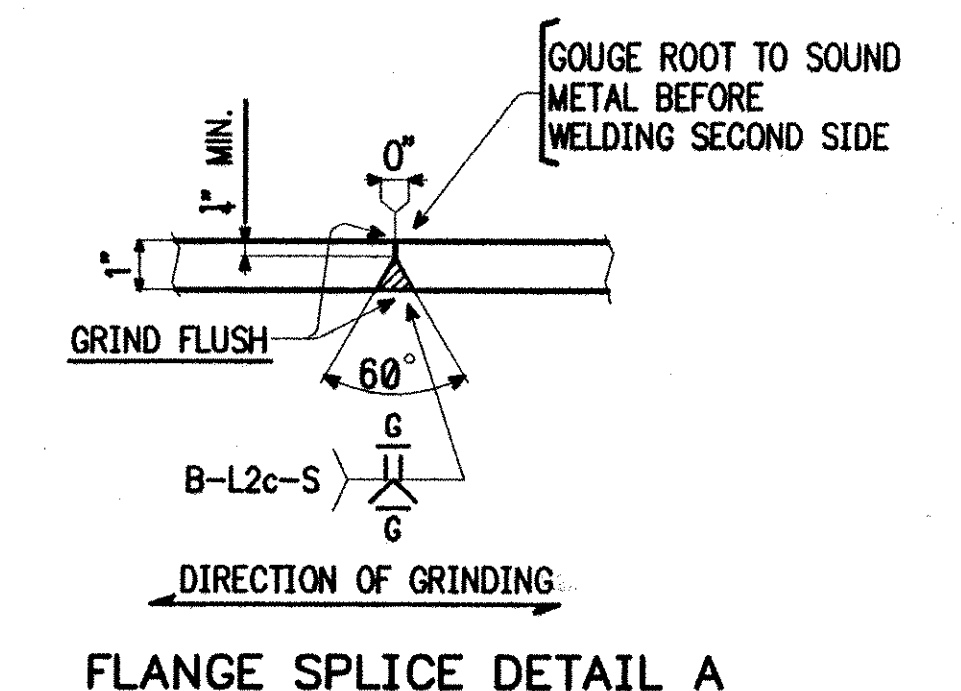
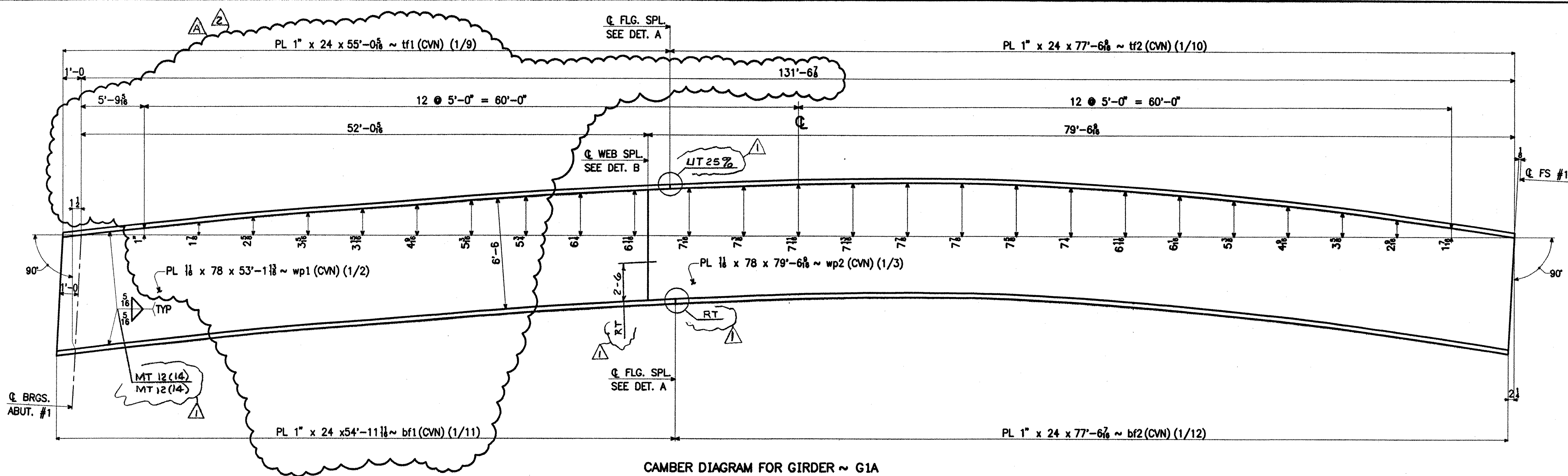


WORK ORDER NO.	DRAWING NO.	REV.
15873	12-1	△



RECEIVED
 CND BY WAS OK'D BY
 DEC 27 2001
 RESUBMIT APPROVED
 BY opw DATE 1/6/02

- NOTES:
 1. MATERIAL: ASTM A709-50W
 2. CVN DENOTES CHARPY V-NOTCH TESTING REQUIRED.

- △ FLG & WEB 12-17-01 AV
 △ NDT 8-23-01 JCM
 △ APPL COMMENTS 6-21-01 AV

ITEM NO. 506.55	BR. NO. 3	PROJ. NO. BRZ 1444(22)
TITLE: CAMBER DIAGRAMS		
APPROVED: 9-5-01	PRINT DIST.	
5 4-7-01 APPR.	5 4-7-01 APPR.	
ORIG. 6-21-01 FAB.	ORIG. 6-21-01 FAB.	
5 7-13-01 APP	5 7-13-01 APP	
5 8-24-01 APP	5 8-24-01 APP	
12 8-24-01 FAB	12 8-24-01 FAB	
5 12-18-01 APP	5 12-18-01 APP	
11 12-18-01 FAB	11 12-18-01 FAB	
National Eastern Corporation Plainville, Connecticut		
JOB: T.H. 1 OVER THE WHITE RIVER ROYALTON, VERMONT		
CUSTOMER: BECK & BELLUCCI, INC.		
DESIGNER: VERMONT AGENCY OF TRANSPORTATION		
CHECKED TS 3/01	WORK ORDER NO. 15873	DRAWING NO. 12-1
DRAWN AV 3/01		REV. △

FOR APPROVAL
 REVISED