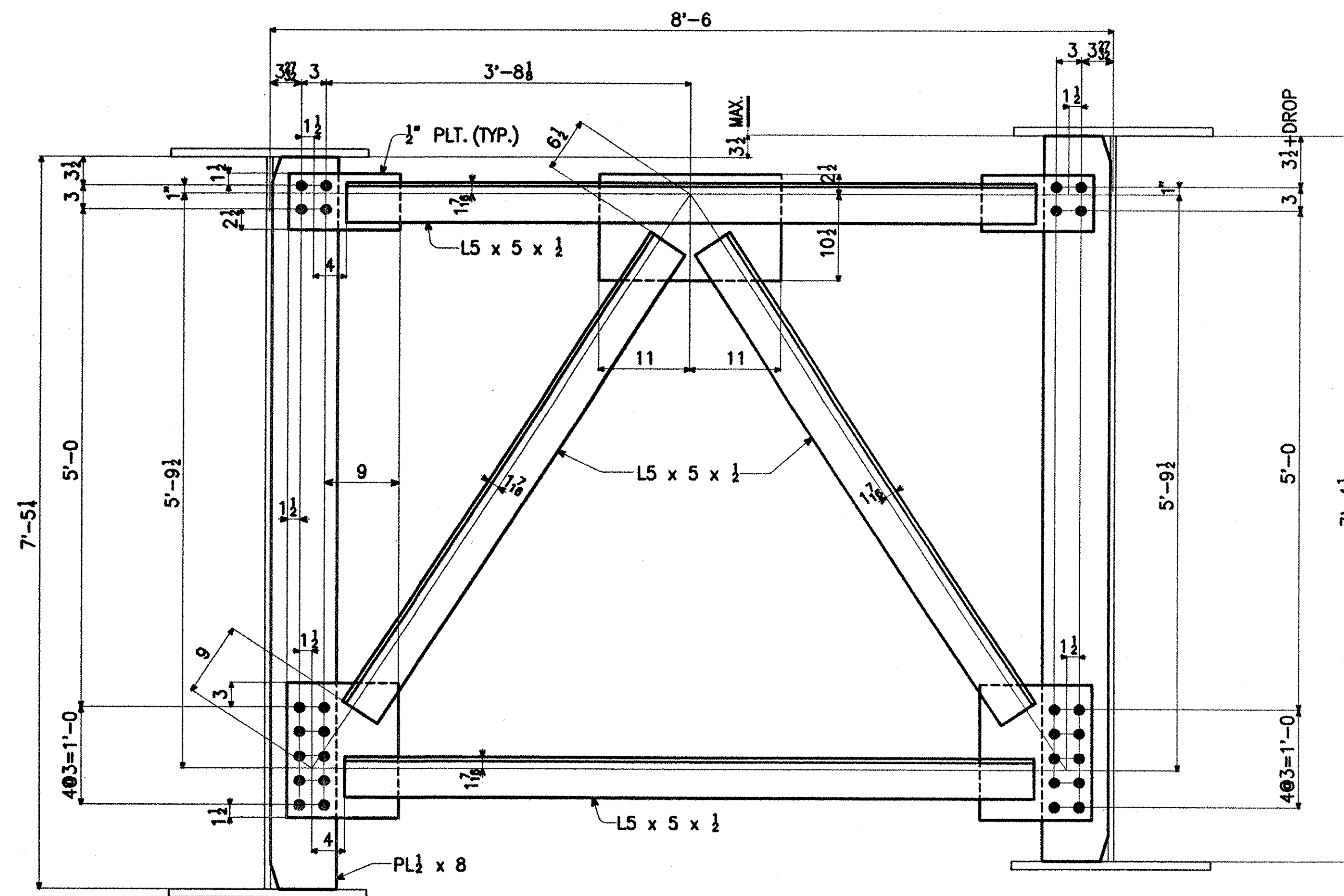
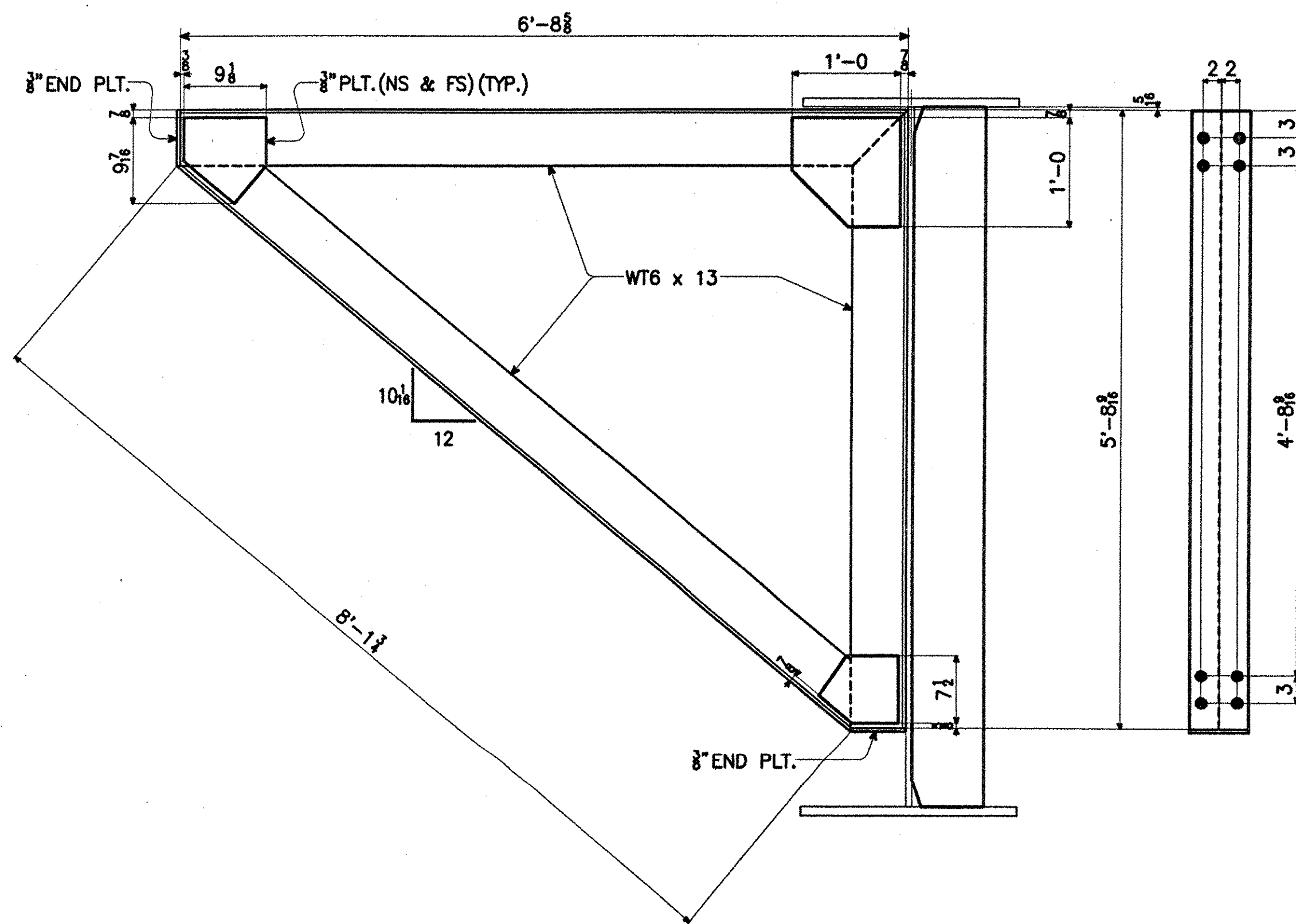


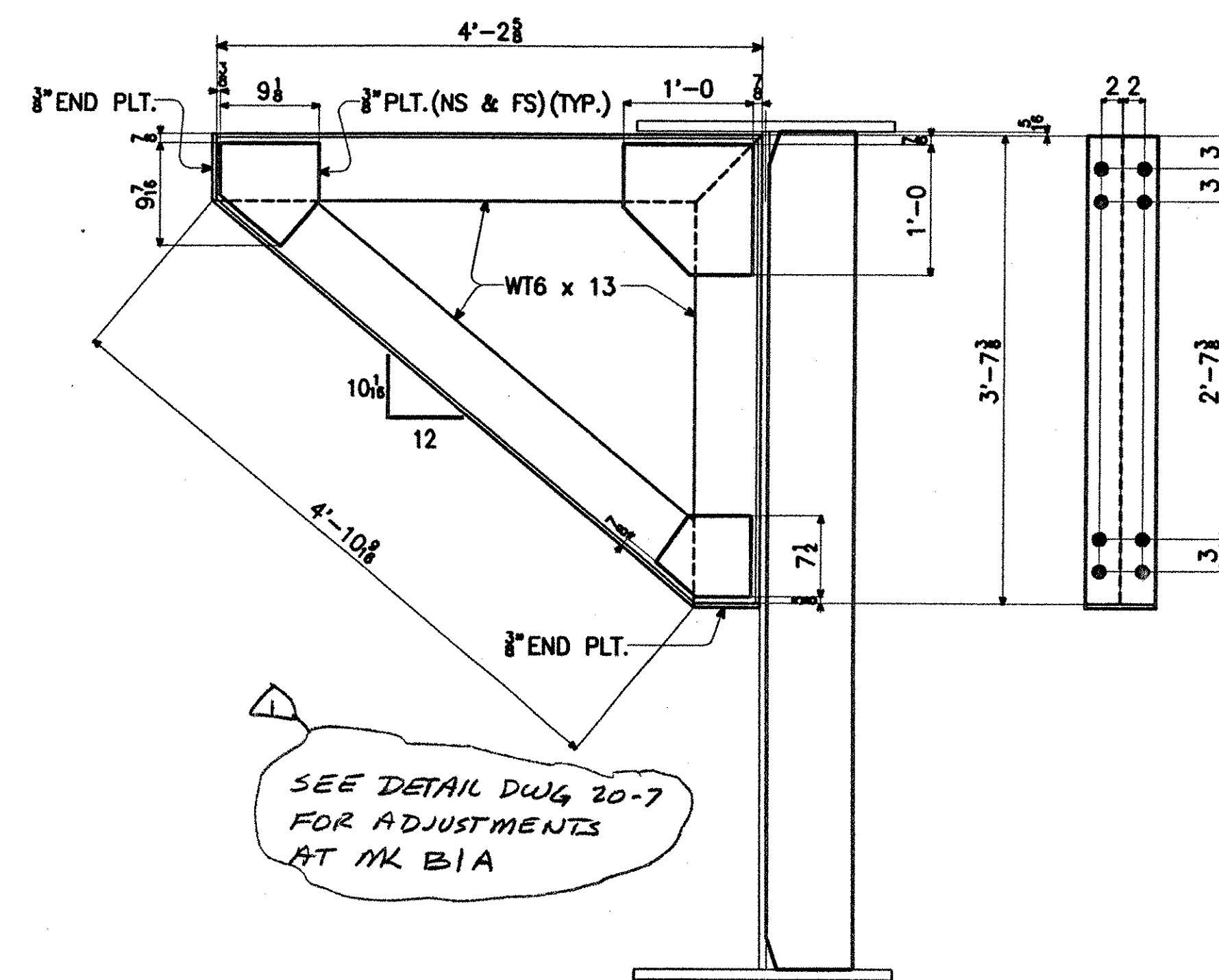
INT. CROSSFRAME LAYOUT



INT. CROSSFRAME LAYOUT



SIDEWALK BRACKET LAYOUT
(NEAREST BEARING POINTS)



SIDEWALK BRACKET LAYOUT
(INTERMEDIATE POINTS)

RECEIVED
 CK'D BY CPW OK'D BY _____
 JAN 30 2002
 RESUBMIT _____ APPROVED X
 BY CPW DATE 2/11/02

Δ MK BIA 1-28-02 JCM

ITEM NO. 506.55	BR. NO. 3	PROJ. NO. BRZ 1444(22)
TITLE: LAYOUTS		
APPROVED: 9-5-01	PRINT DIST.	
5 4-7-01	APPR.	 National Eastern Corporation Plainville, Connecticut JOB: T.H. 1 OVER THE WHITE RIVER ROYALTON, VERMONT CUSTOMER: BECK & BELLUCCI, INC. DESIGNER: VERMONT AGENCY OF TRANSPORTATION
5 9-5-01	FAB.	
5 7-13-01	APP	
5 8-24-01	APP	
5 1-28-02	APP	
11 1-28-02	FAB	
CHECKED TS 3/01	DRAWN AV 3/01	WORK ORDER NO. 15873
		DRAWING NO. WS4
		REV. 1

7-14-02

REVISED
 FOR APPROVAL