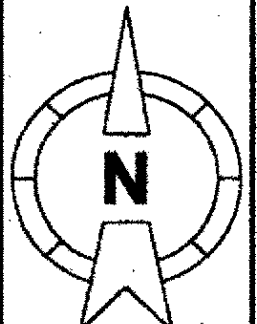
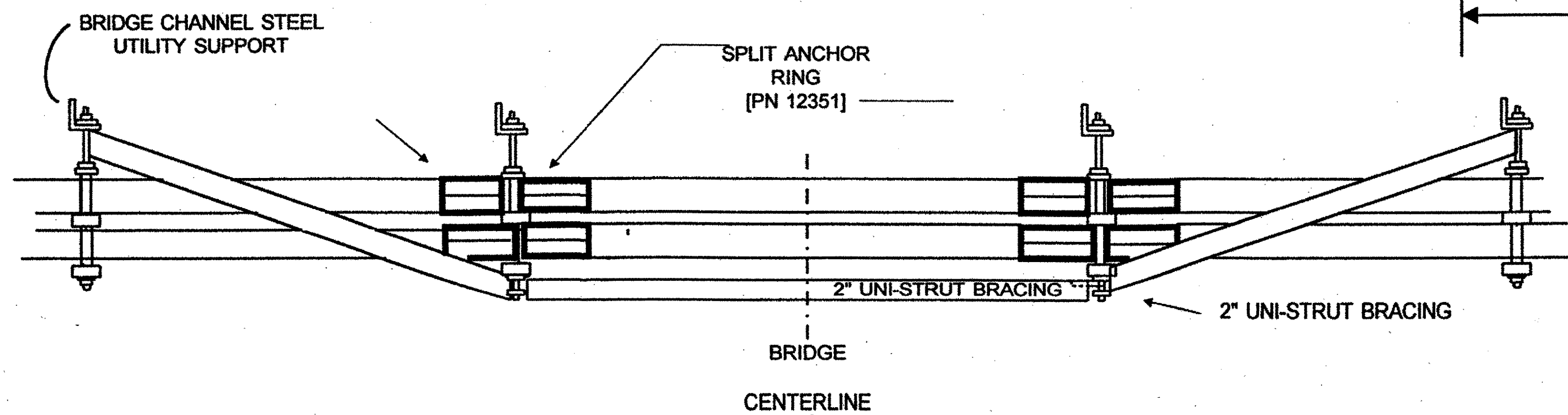
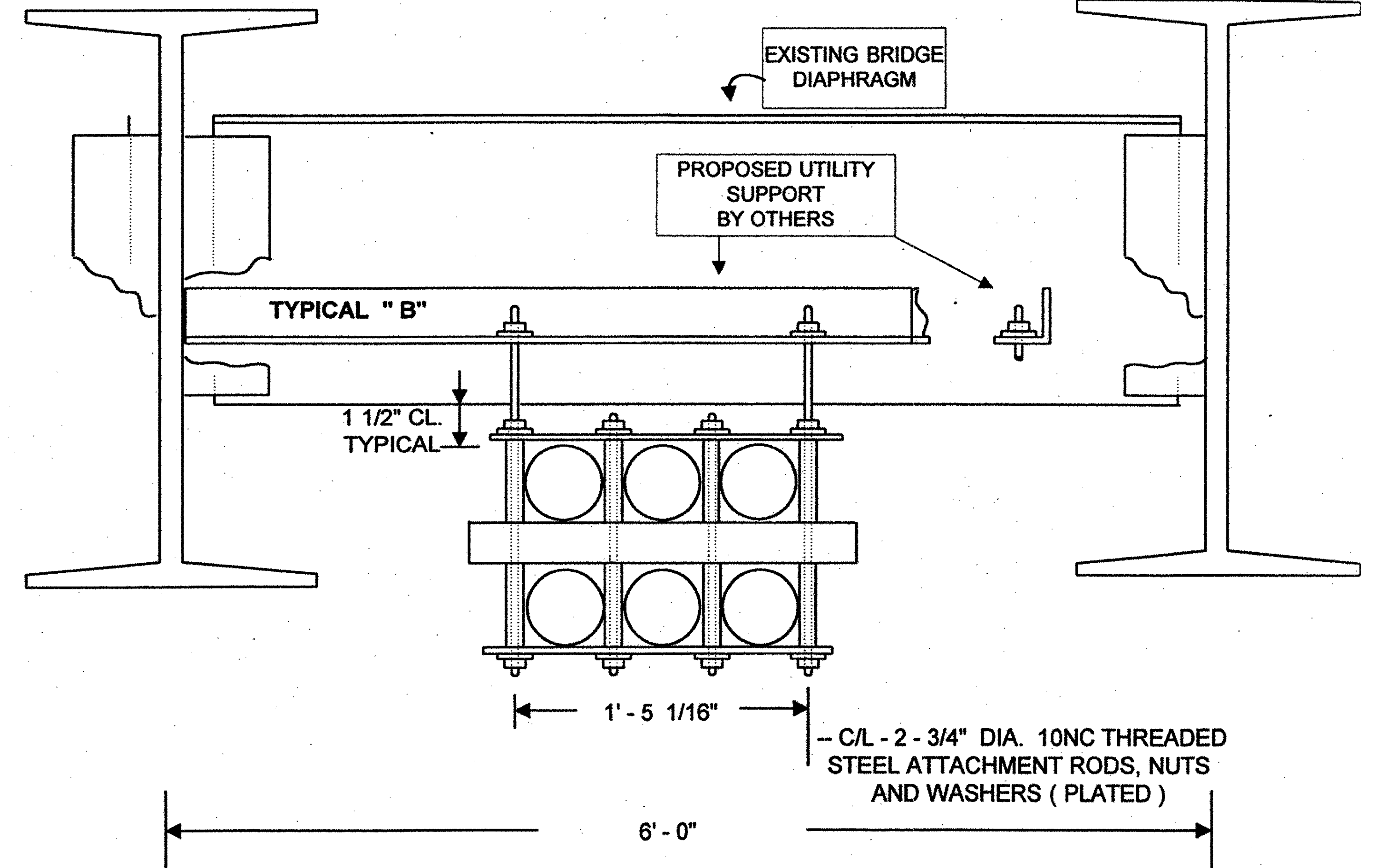
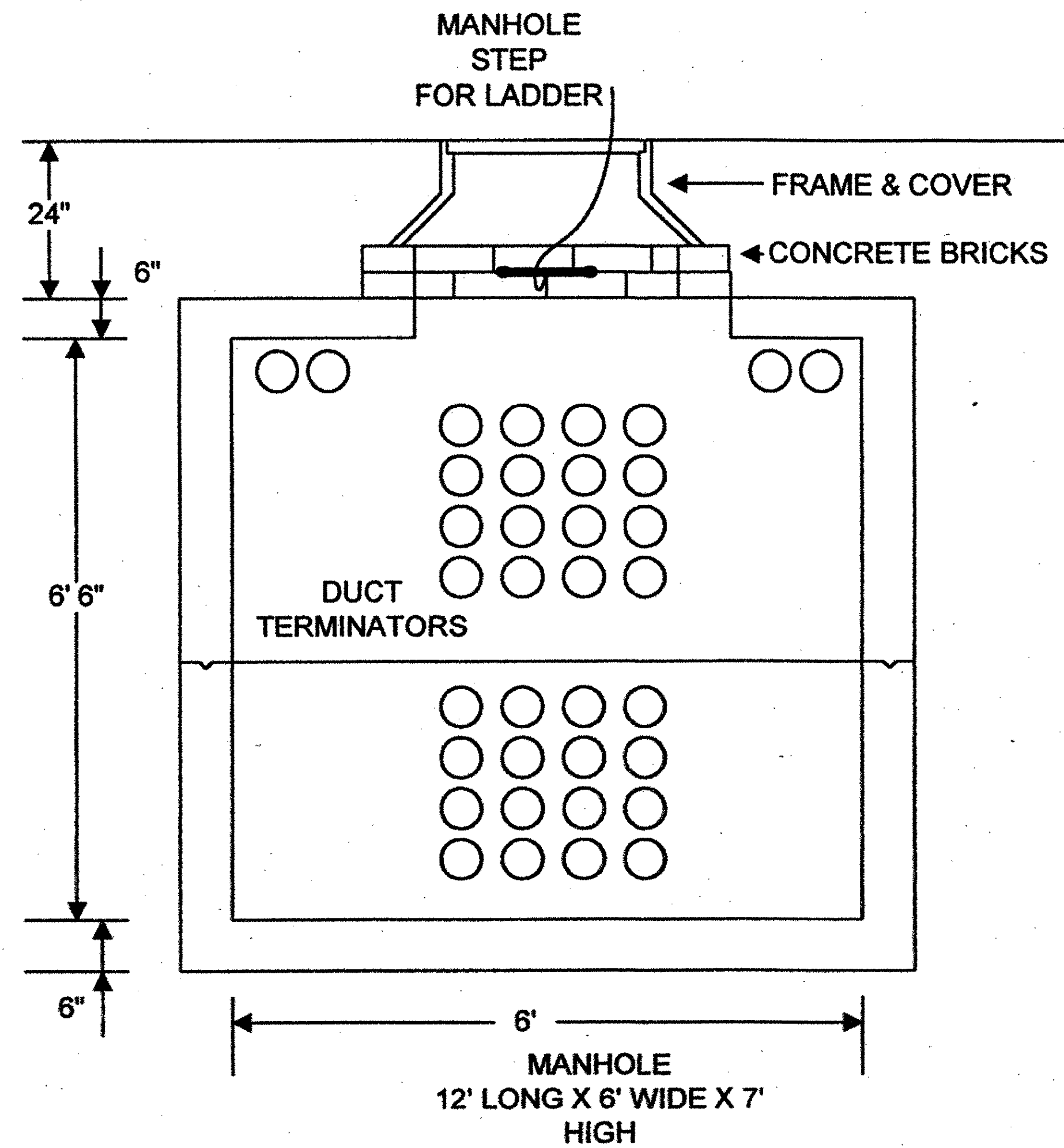


WORK ORDER

Notice: Not for Use/disclosure outside of BELL ATLANTIC without written agreement

BELL ATLANTIC

	SAFETY NOTES: BRIDGE CONSTRUCTION TRAFFIC		MOD/REV NO.	DATE	EWO NO.	
	SIGNATURE				PRINT 9 OF	
	DATE		INPUT			PREPARED BY: J. BRIAN GRESL
	PRE CT YES <input type="checkbox"/> NO <input checked="" type="checkbox"/>		UNDERGROUND			C.O. /EXCHANGE NAME: SOUTH ROYALTON
PRIMARY VOLTAGE TO GROUND 7.2 KV MGN SYSTEM		BLOCK (NYT)			C.O. /EXCHANGE CODE: 4875	
CABLE PRESS.	UNDER PRESS. YES <input type="checkbox"/> NO <input checked="" type="checkbox"/>	CONDUIT			MUNICIPALITY: SOUTH ROYALTON	
TRANSMISSION	28GA LIMIT YES <input type="checkbox"/> NO <input checked="" type="checkbox"/>	AMT. BRIDGE TAP	INPUT	KF	MANHOLE LOCATION MH# NA	



6/23/00

RECEIVED
 JUN 26 2000
 UTILITIES
 Sheet 90 of 118