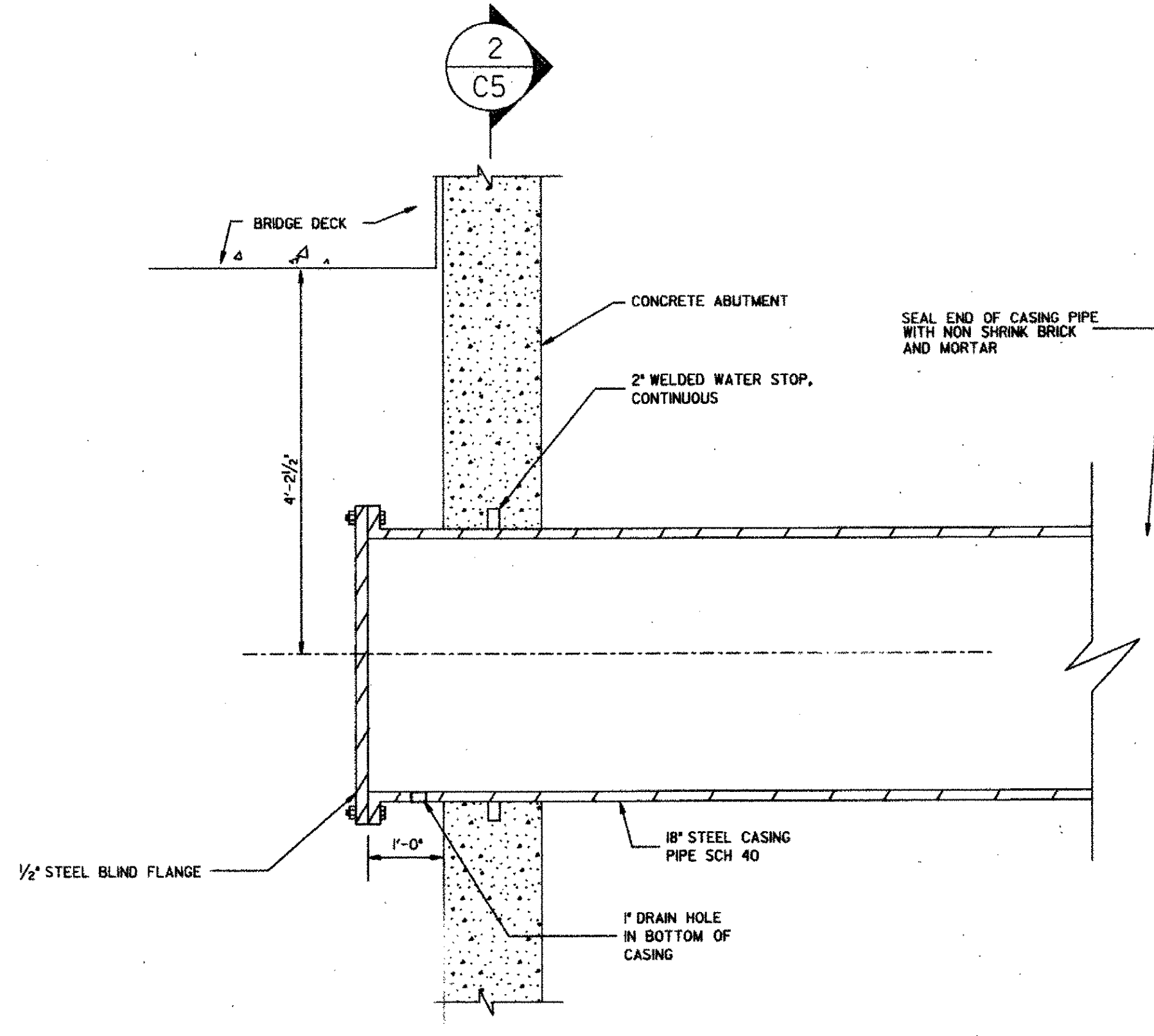
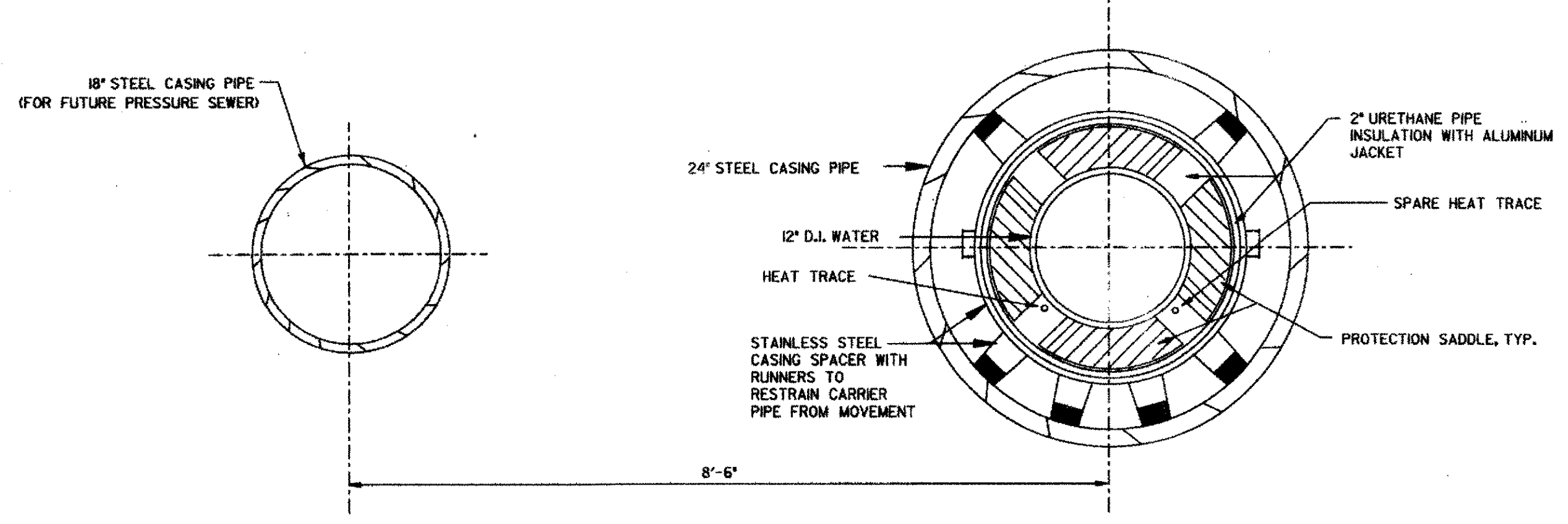


3
C5 EXPANSION JOINT AND WATER MAIN SUPPORT DETAIL
 NOT TO SCALE TYPICAL BOTH ENDS OF BRIDGE



4
C5 PRESSURE SEWER SLEEVE DETAIL
 NOT TO SCALE TYPICAL BOTH ENDS OF BRIDGE



2
C5 SECTION
 NOT TO SCALE

NOTE:
 INSTALL 3 STAINLESS STEEL SPACERS INSIDE
 STEEL CASING PIPE PER LENGTH OF
 DUCTILE IRON PIPE AT BOTH ENDS
 OF THE BRIDGE

NOTE:
 INFORMATION ON THIS SHEET SHOULD ONLY BE
 CONSIDERED TO REPRESENT WATER MAIN, PRESSURE
 SEWER, AND APPURTENANCES. OTHER INFORMATION
 SHOWING STRUCTURAL ITEMS, STORM SEWER, AND
 SANITARY SEWER IS SHOWN ONLY FOR RELATIVE
 RELATIONSHIPS ONLY. THIS INFORMATION SHOULD BE
 OBTAINED FROM OTHER DRAWINGS.

PROJECT: ROYALTON	PROJECT NO. : BRZ 1444(22)
DESIGN FILE NAME: <i>zusc\stt\891099\81099bdr.dwg</i>	PLOT DATE: 01 JULY 98
IPARM FILE NAME: <i>zstc\89\99\81099idwl</i>	SURVEY DATE: 9/29
SURVEYED BY: B. GILMA	DRAWN BY:
SQUAD LEADER: C.P. WILUAMS	SHEET: 81 of 118
UTILITY SUPPORT DETAILS	

REV.	DESCRIPTION	BY	DATE
1	DELETE SEWER	BLB	5-2-00
2	BAY LOCATIONS PER VT AOT	EET	5-26-00
3	CORRECTED SCALE	BLB	6-8-00

TOWN OF ROYALTON AND ROYALTON FIRE DISTRICT No. 1
 WHITE RIVER BRIDGE UTILITY CROSSINGS
UTILITY SUPPORT DETAILS
 SOUTH ROYALTON VERMONT

Project No. 6170051	Project Manager A. T. RICE
Drawn By M. A. M. / L. A. W.	Checked By A. T. RICE
Scale AS SHOWN	Approved <i>[Signature]</i>
Date APRIL 2000	