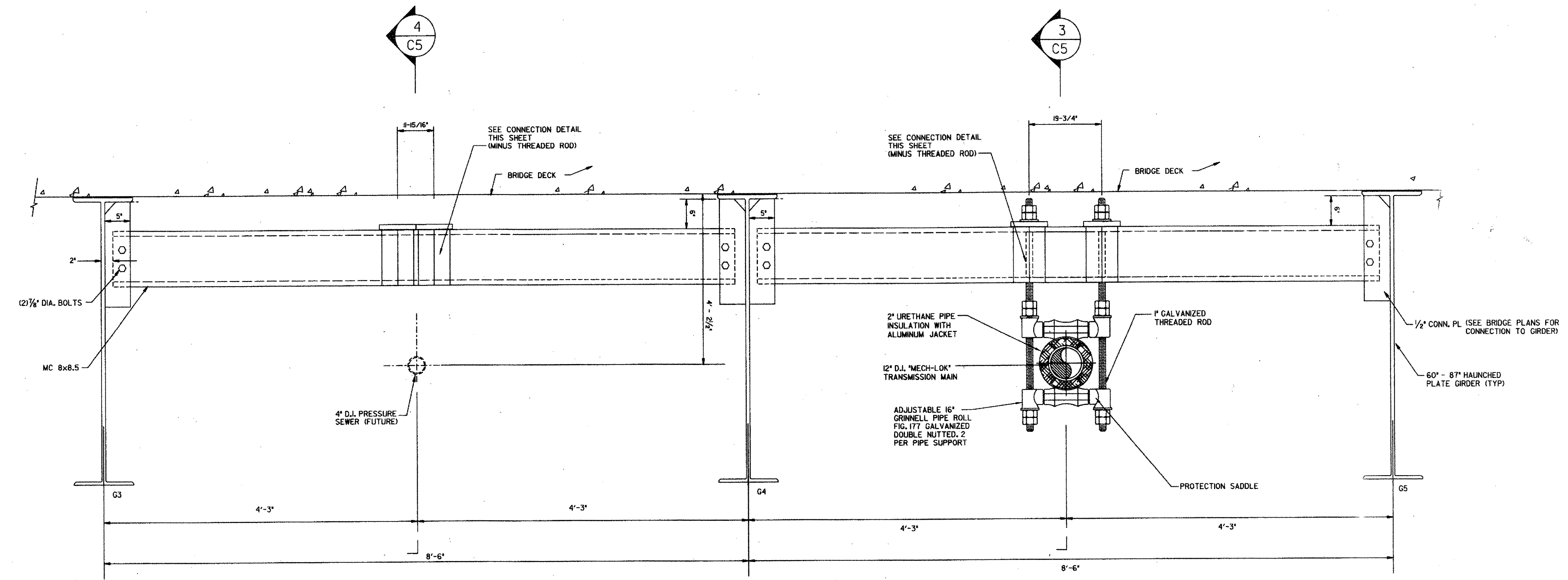


REV.	DESCRIPTION	BY	DATE
1	DELETE SEWER	BLB	5-26-00
2	BAY LOCATIONS PER VT AOT	BLB	6-8-00
3	CORRECTED SCALE	BLB	5-26-00

TOWN OF ROYALTON AND ROYALTON FIRE DISTRICT No. 1
 WHITE RIVER BRIDGE UTILITY CROSSINGS
**UTILITY LOCATIONS
 UNDER BRIDGE**
 SOUTH ROYALTON VERMONT

Project No.	6170051
Proj. Manager	A. T. RICE
Proj. Designer	R. N. GOODWIN
Drawn By	M.A.M./A.W.
Checked By	A. T. RICE
Scale	AS SHOWN
Approved	<i>[Signature]</i>
Date	APRIL 2000

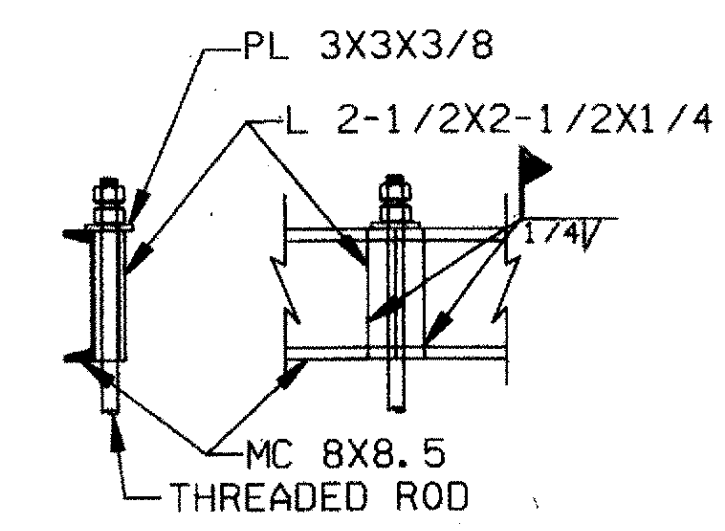
Sheet 4 of 6
 6170051



I SECTION
 NOT TO SCALE

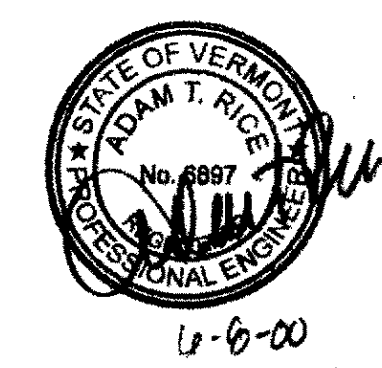
NOTE:
 PIPE ALIGNMENT GUIDES TO BE INSTALLED AT THE BELL AND MID LENGTH OF EACH PIECE OF PIPE NOT TO EXCEED 10.0' O.C., ALONG THE BRIDGE CROSSING. FOR PIPE ALIGNMENT GUIDE LOCATIONS SEE PROFILE ON SHEET C3.

SEE STATE PLANS FOR BRIDGE TYPICAL SECTION.



CONNECTION DETAIL
 NOT TO SCALE

NOTE:
 INFORMATION ON THIS SHEET SHOULD ONLY BE CONSTRUED TO REPRESENT WATER MAIN, PRESSURE SEWER, AND APPURTENANCES. OTHER INFORMATION SHOWING STRUCTURAL ITEMS, STORM SEWER, AND SANITARY SEWER IS SHOWN ONLY FOR RELATIVE RELATIONSHIPS ONLY. THIS INFORMATION SHOULD BE OBTAINED FROM OTHER DRAWINGS.



PROJECT:	ROYALTON	PROJECT NO.:	BRZ 1444(22)
DESIGN FILE NAME:	zusc\stc\891099\81099bdc.dwg	PLOT DATE:	01 JULY 98
IPARM FILE NAME:	zstc\891099\81099jdl.l	SURVEY DATE:	9/29
SURVEYED BY:	B. GILMAN	DRAWN BY:	
SQUAD LEADER:	C.P. WILAMS	SHEET:	80 OF 118
12\"/>			