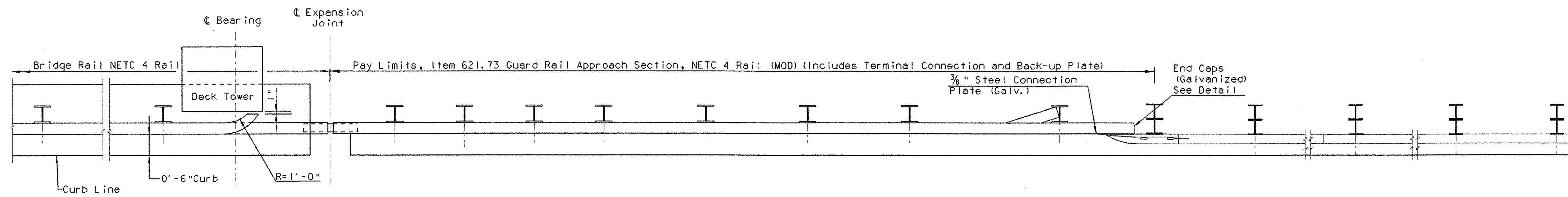
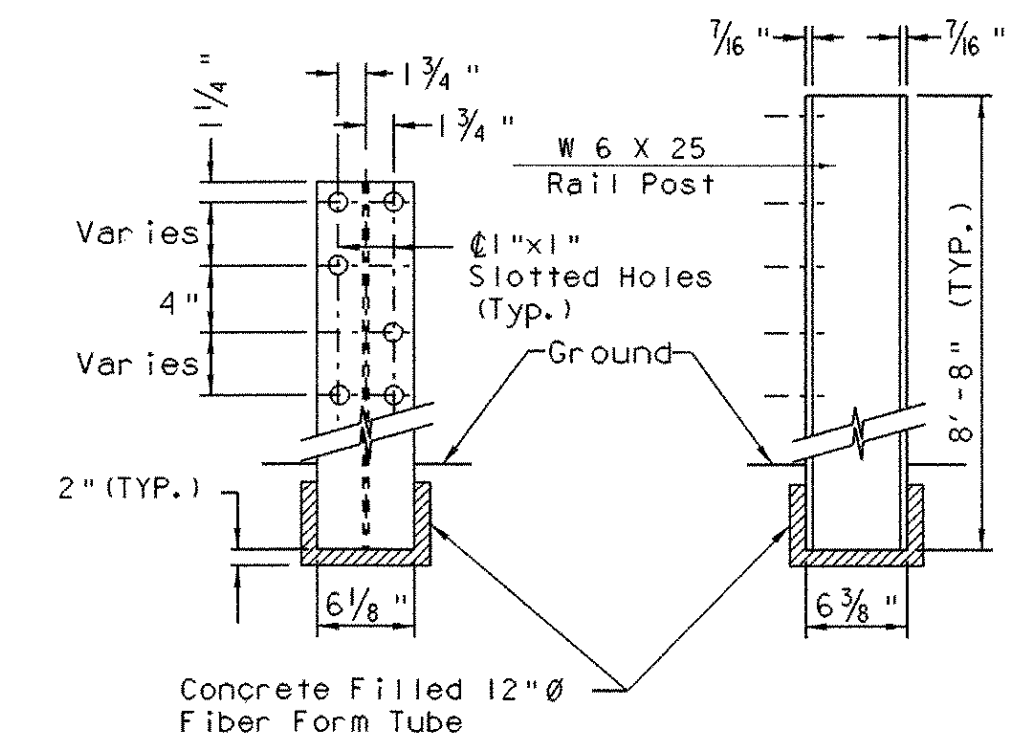


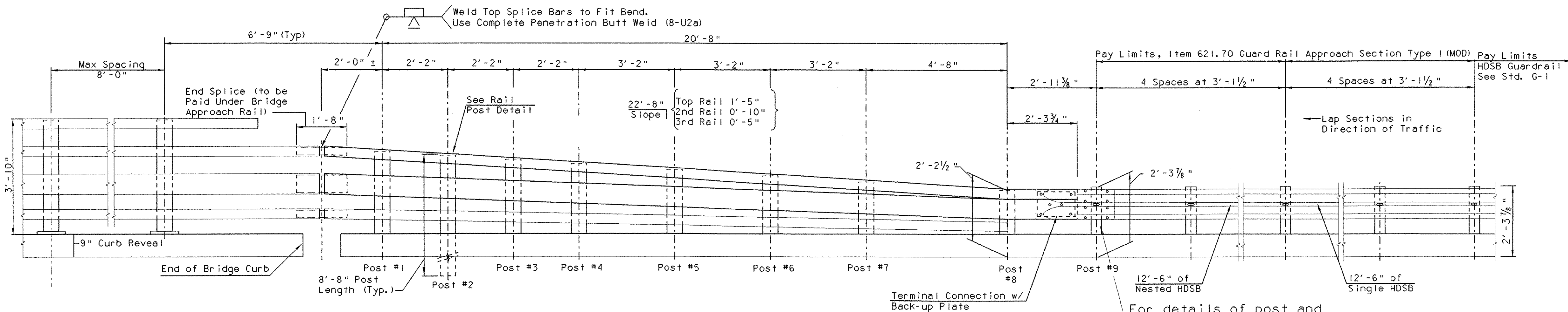
NETC 4 RAIL DETAILS



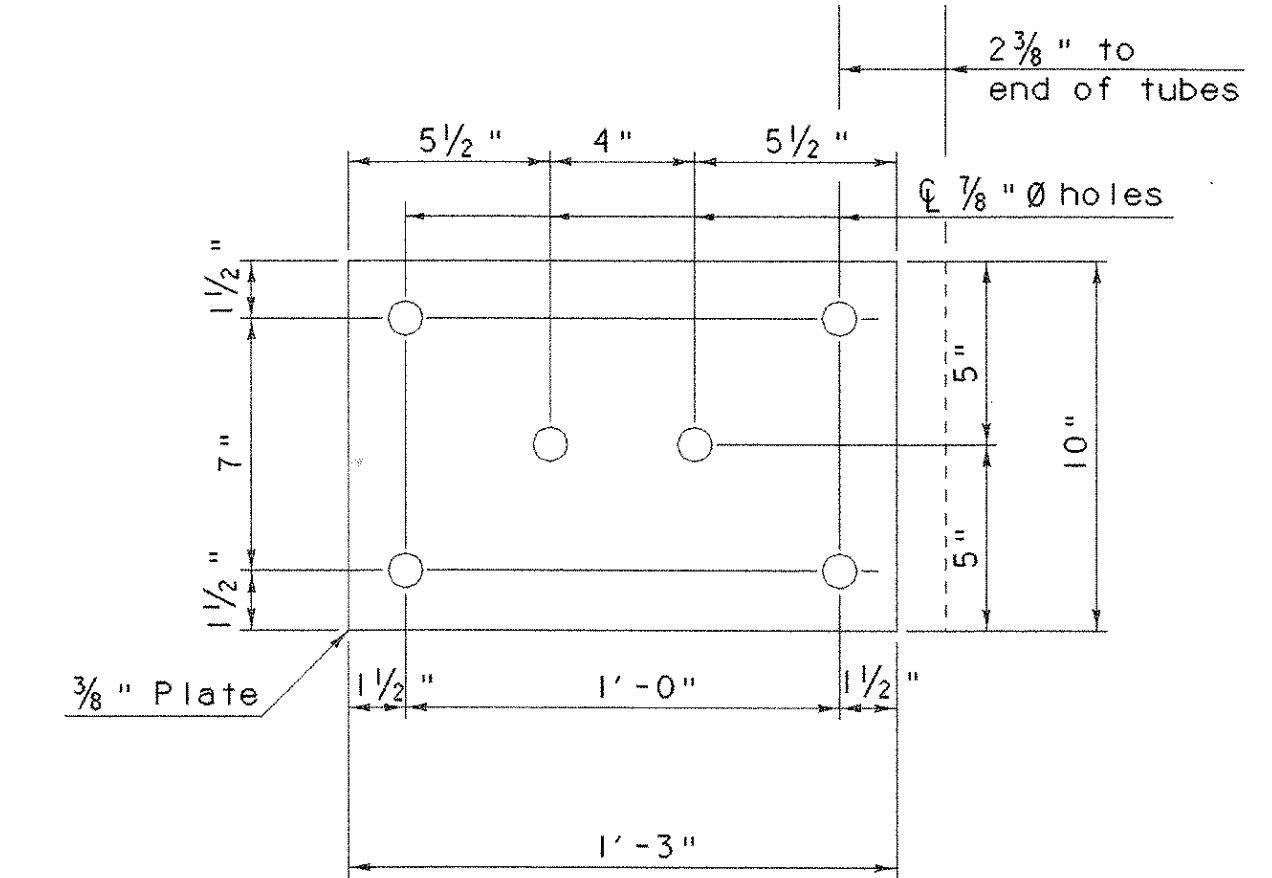
PLAN VIEW - APPROACH RAIL
SCALE: 1/2" = 1'-0"



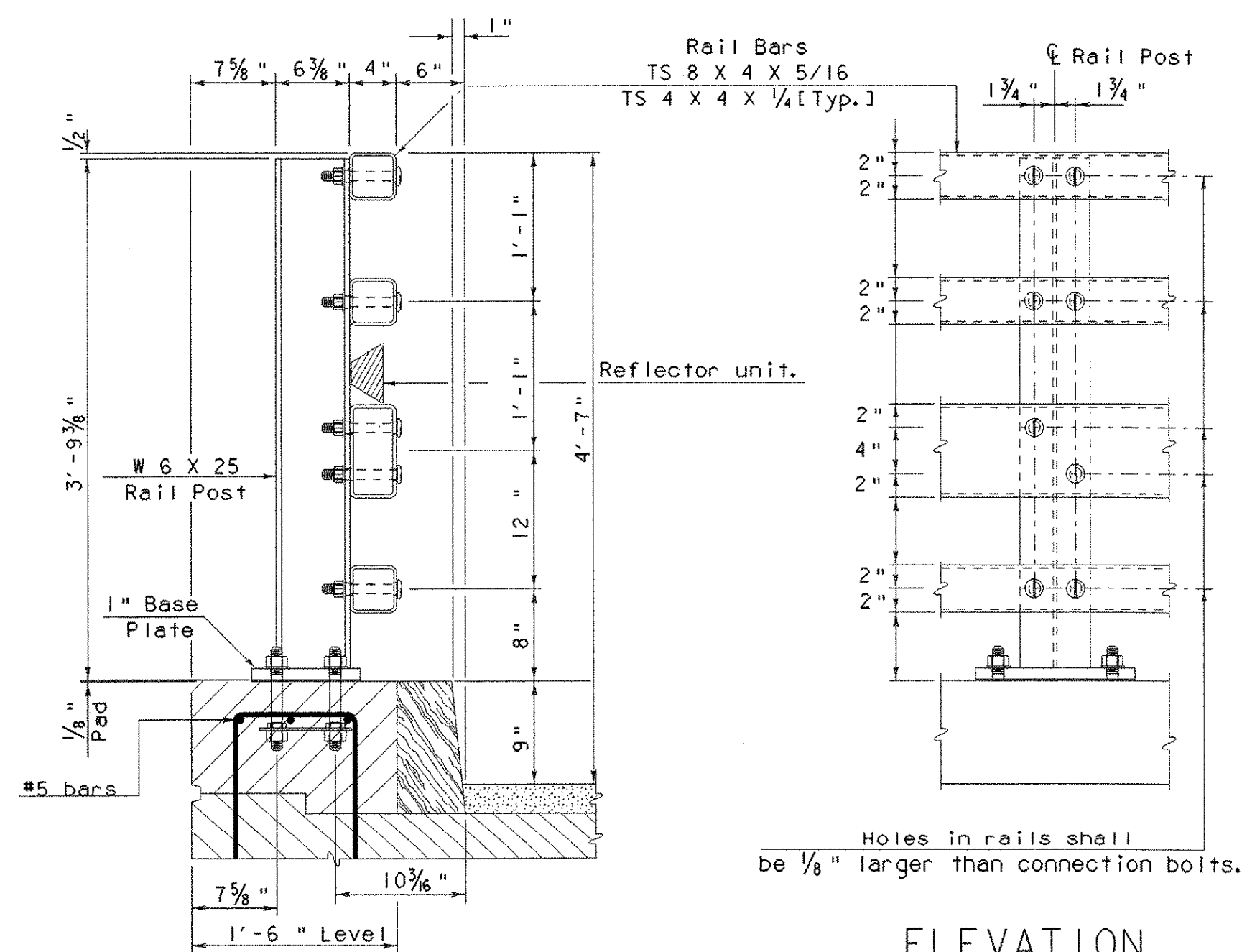
RAIL POST
SCALE: 1" = 1'-0"



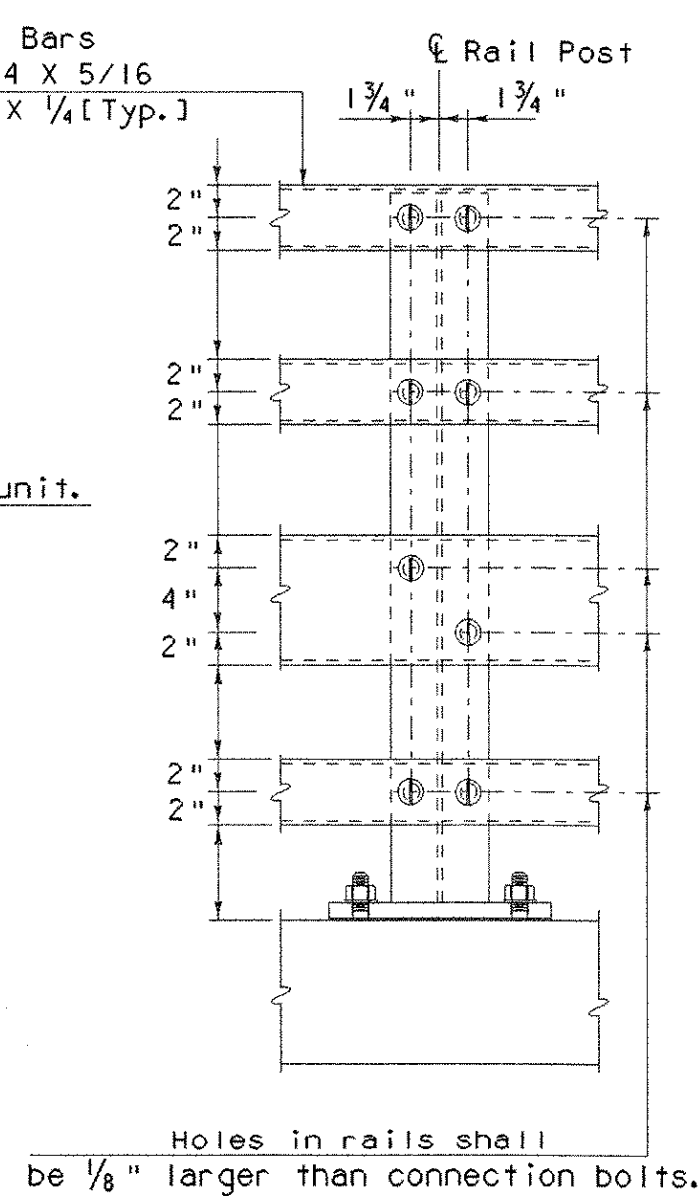
ELEVATION VIEW - APPROACH RAIL
SCALE: 1/2" = 1'-0"



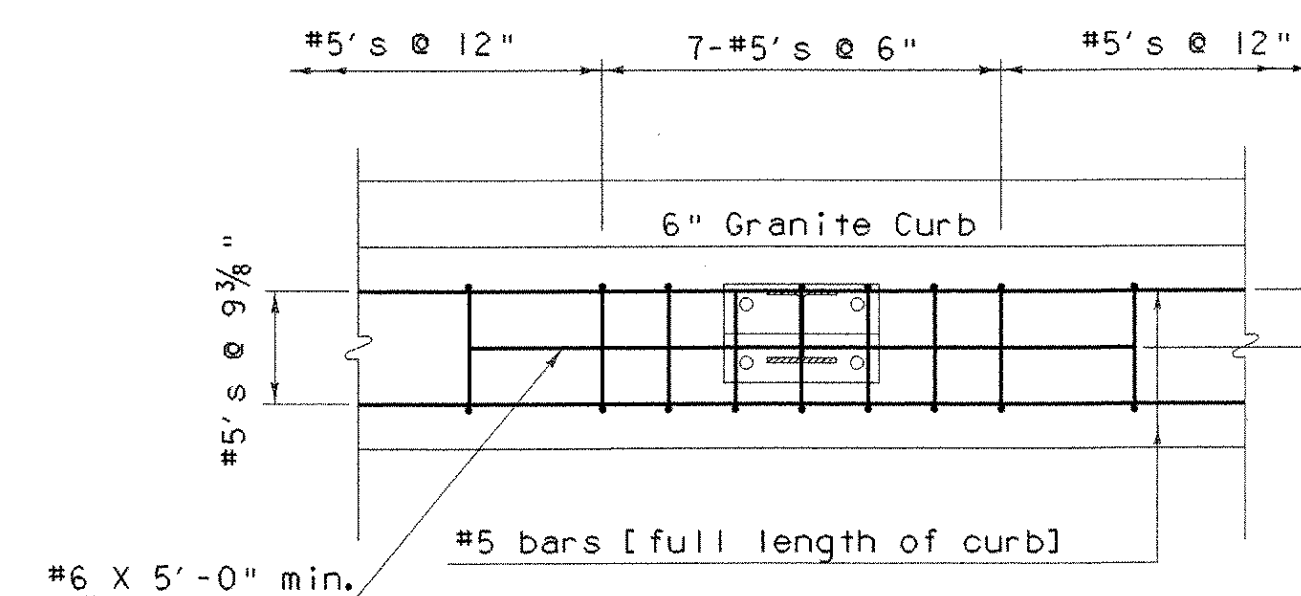
BACK - UP PLATE



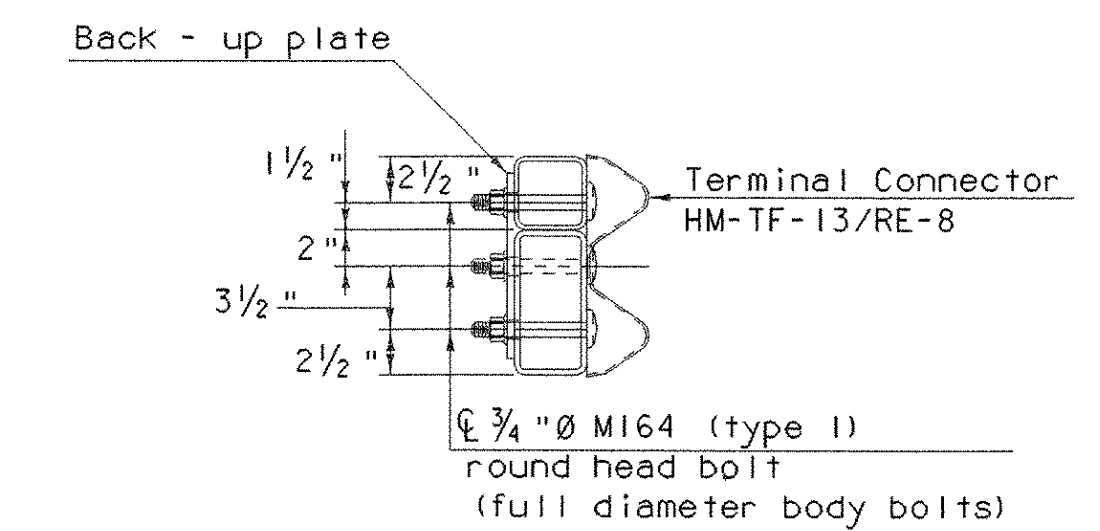
TYPICAL SECTION
[Curb Side Only]



ELEVATION
[Curb Side Only]



CURB REINFORCING PLAN
[Curb Side Only]



SECTION THROUGH
GUARD RAIL CONNECTION
AT TERMINAL CONNECTOR

Note:

1. Refer to detail sheets 72 & 73 for additional details, notes and materials specifications.

PROJECT NAME:	ROYALTON BRZ 1444 (22)		
PROJECT NUMBER:			
FILE NAME:	89j099/structures/sj099rail.dgn	PLOT DATE:	25-SEP-2000
IPARM NAME:	sj099netc3.i	DRAWN BY:	P. R. ROWE
PROJECT LEADER:	C. P. WILLIAMS	CHECKED BY:	W. B. SYMONDS
DESIGNED BY:	W. B. SYMONDS		
NETC 4 RAIL DETAILS			SHEET 74 OF 118