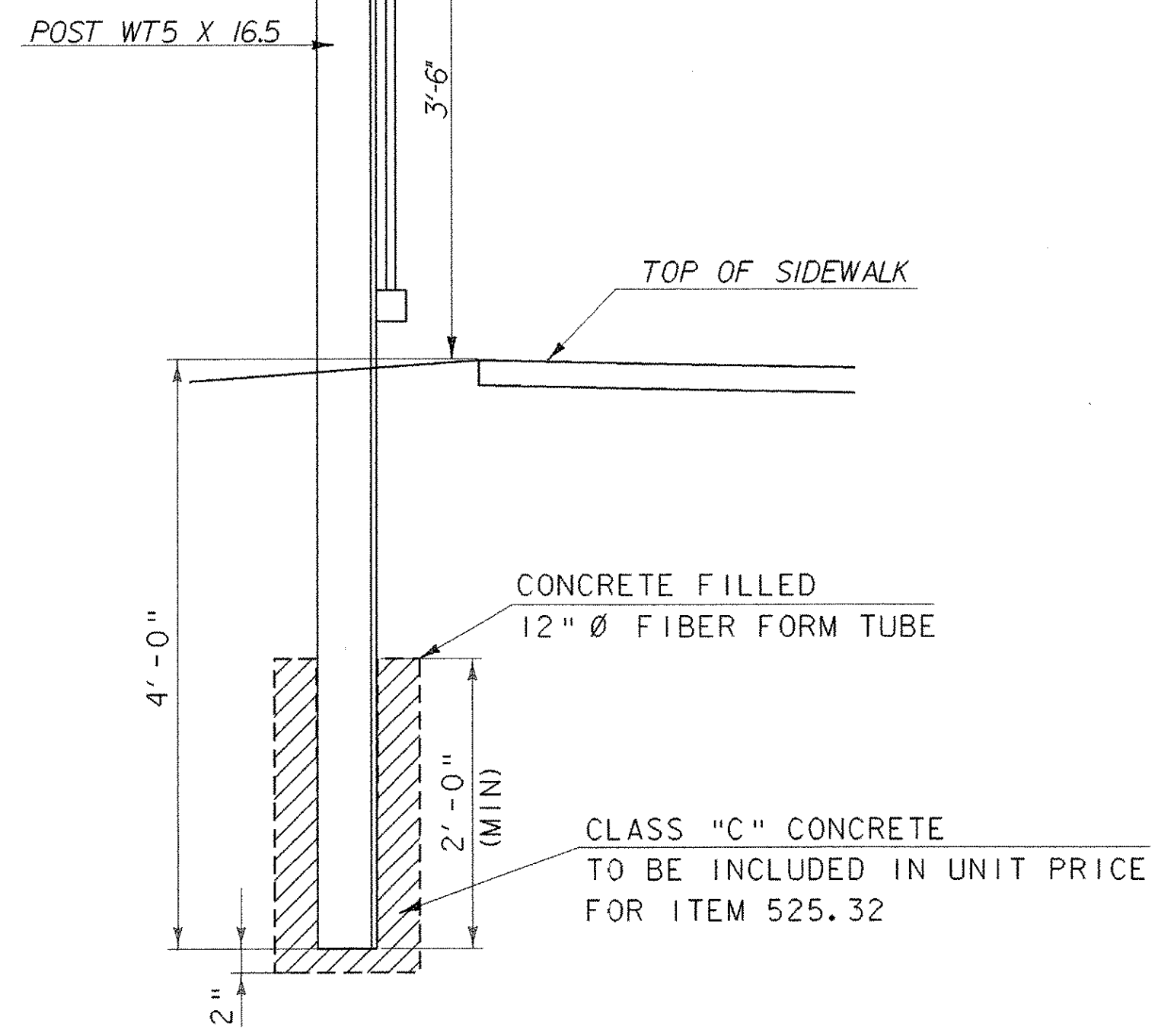
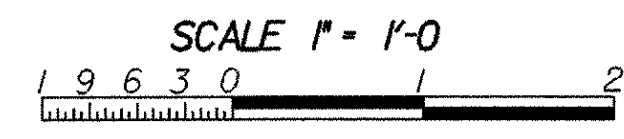


GRIND ALL SHARP CORNERS
1/8" RADIUS MINIMUM

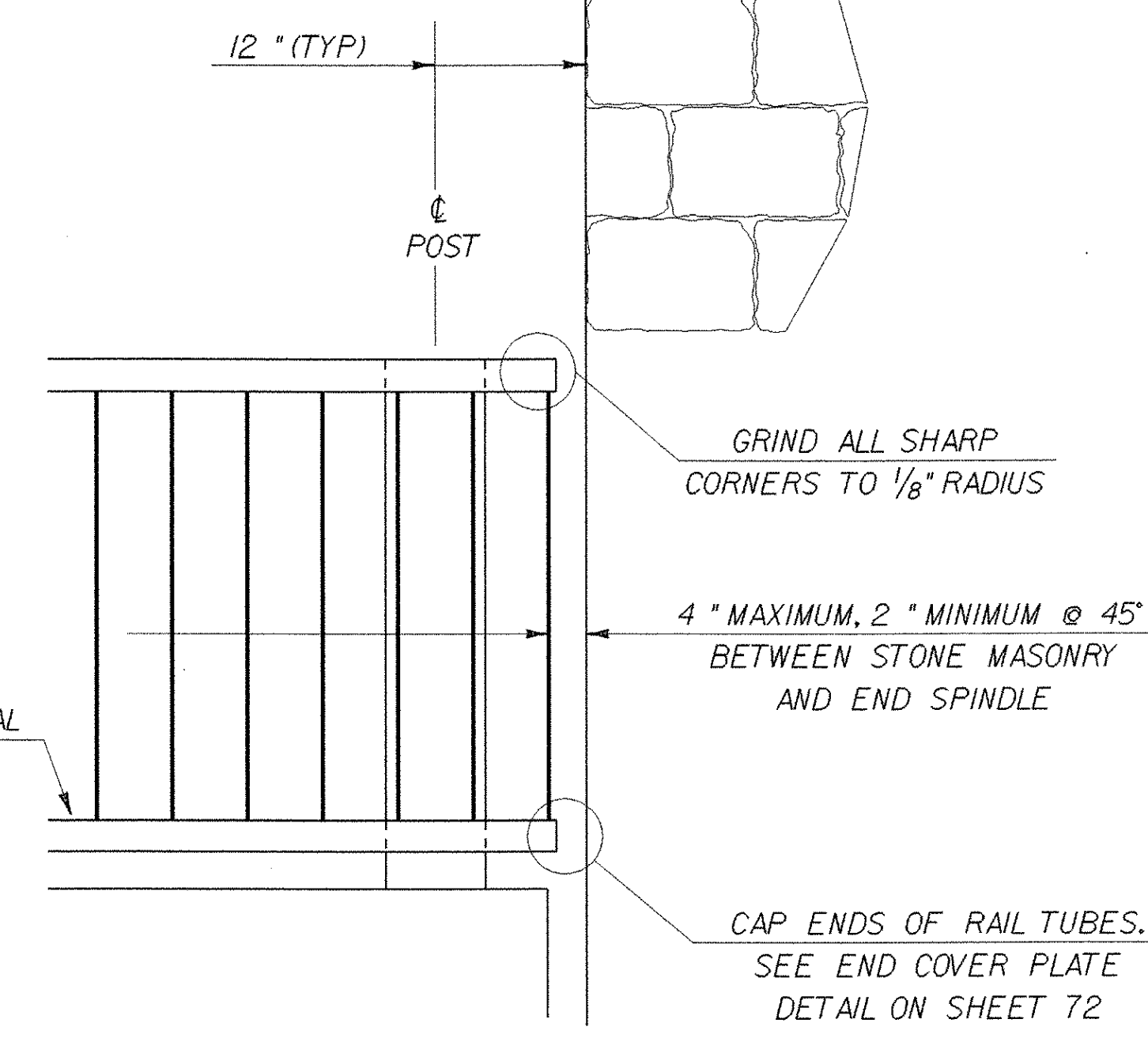


**PEDESTRIAN RAIL
APPROACH SECTION**

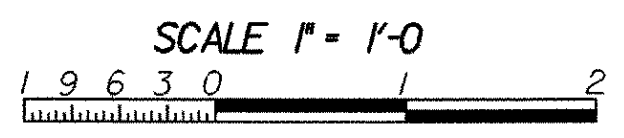
(POSTS INSTALLED IN SOIL)



FACE OF SUBSTRUCTURE
TOWER



**PEDESTRIAN RAIL
TERMINATION @ TOWER**



PEDESTRIAN RAIL NOTES

1. All work and materials shall conform to the provisions of Section 525 - Railings of the Standard Specifications for Construction.
2. The pedestrian railing approach end section shall be installed on both approaches.
3. Rail posts shall be set normal to grade.
4. All bolts in the pedestrian railing shall be high-strength and shall conform to AASHTO M164/M164M, type I specification.
5. Splices between pedestrian railing panels shall occur at the centerline of a rail post.
7. Rail posts anchoring nuts shall be tightened to a snug fit and given an additional 1/8 turn.
8. All railing parts shall be galvanized after fabrication in accordance with subsection 506.15, as modified by the special provisions.
9. The tubing and posts shall meet the requirements of section 732 of the Standard Specifications for Construction.
10. A rail post shall be placed within 1' of all unsupported railing panel ends.
11. Holes in rails for rail bar attachment may be field drilled. The holes shall be coated with an approved zinc rich paint.
12. Any bending of rail shall be by shop procedure only.
13. The fabricator shall submit shop drawings including welding procedures to the Structures Section for approval in accordance with the provision of 506.04, shop drawings. All welding shall conform with section 506.10.
14. Pedestrian railing shall be paid for under item 525.32 "Bridge Railing - Galv. Box Beam / Pedestrian (mod)". This shall include both pedestrian railing mounted on bridge and approach railing.

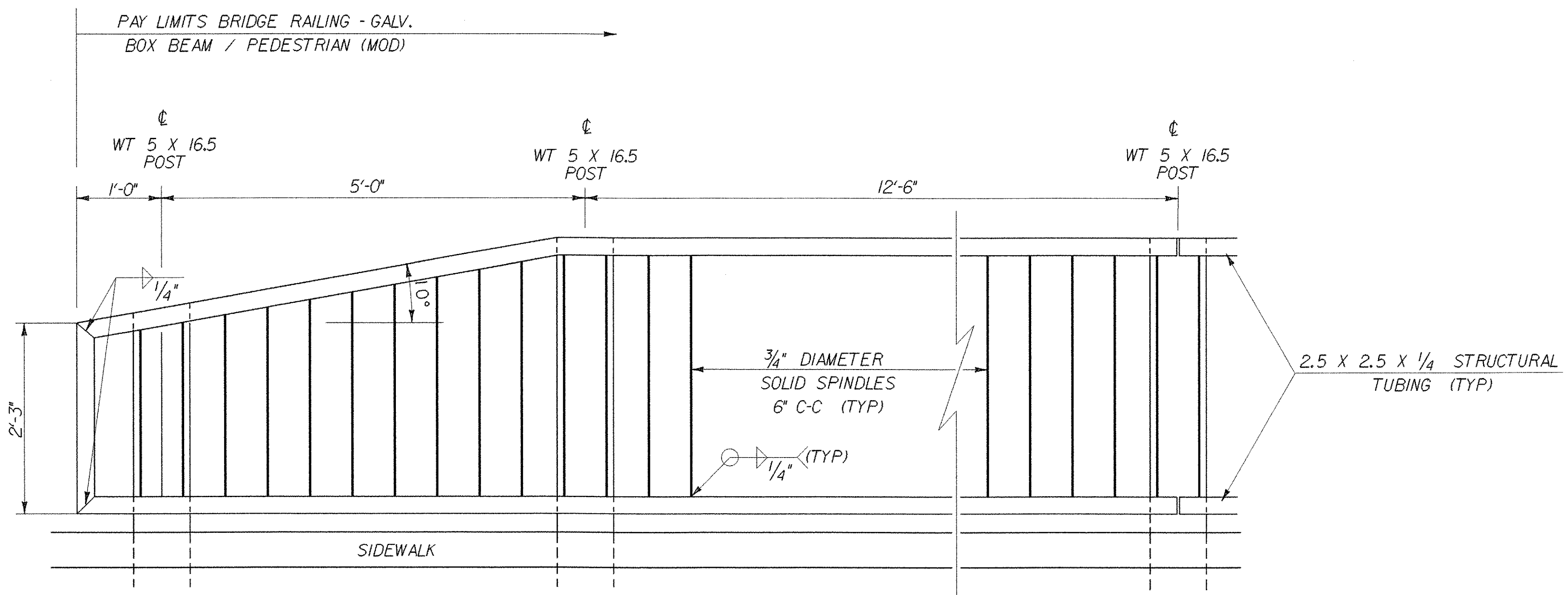
MATERIALS

Rail bars.....ASTM A500, Grade B
 Rail posts and other shapes.....ASTM A709/A709M, Grade 50
 Anchor studs.....ASTM A449
 All other bolts [unless noted].....AASHTO M164, TYPE I

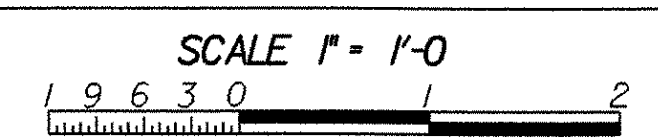
Nuts for AASHTO M164 bolts shall comply with AASHTO M291. Nuts for anchor studs shall comply with ASTM A563.

Washers shall comply with AASHTO M293 (ASTM F436) specification.

1/8" pad shall comply with standard specification subsection 731.01 or 731.02.



PEDESTRIAN RAIL APPROACH END SECTION



PROJECT NAME:	ROYALTON BRZ 1444 (22)
PROJECT NUMBER:	
FILE NAME:	89j099/structures/sj099rail.dgn
IPARM NAME:	sj099ped2.i
PROJECT LEADER:	C.P. WILLIAMS
DESIGNED BY:	W. B. SYMONDS
PEDESTRIAN RAIL APPROACH DETAILS	SHEET 71 OF 118
PLOT DATE:	26-SEP-2000
DRAWN BY:	P.R. ROWE
CHECKED BY:	W. B. SYMONDS