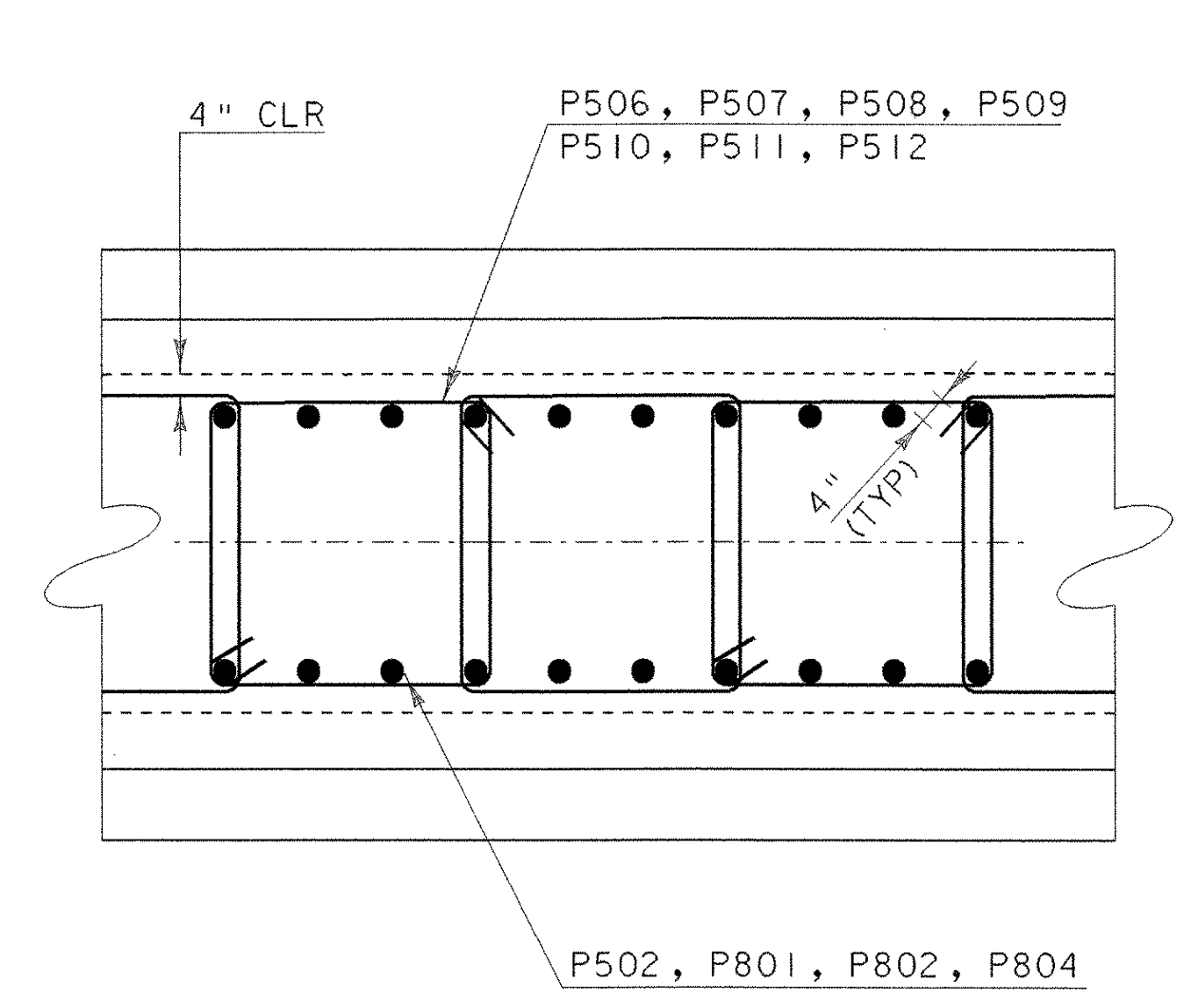


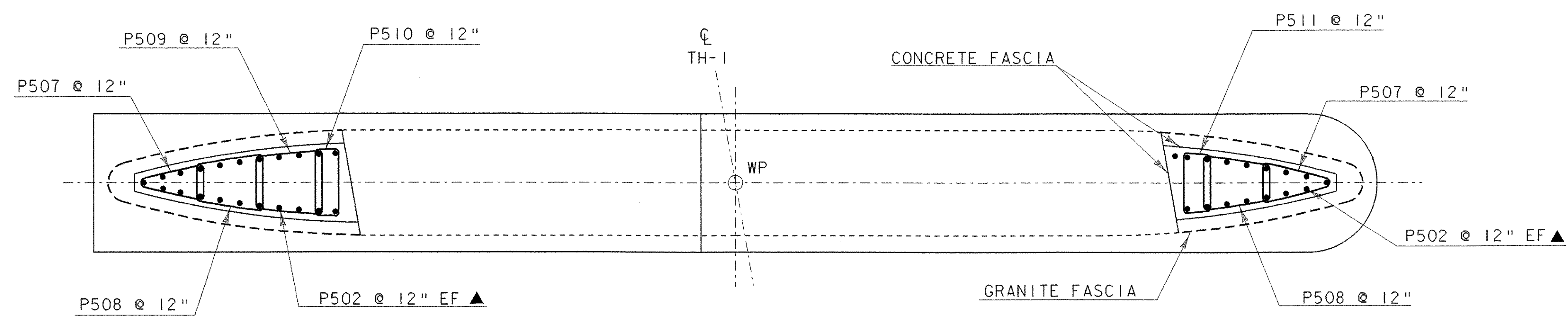
PIER SECTION A-A

SCALE 1/4" = 1'-0"  
 1 0 2 4 6



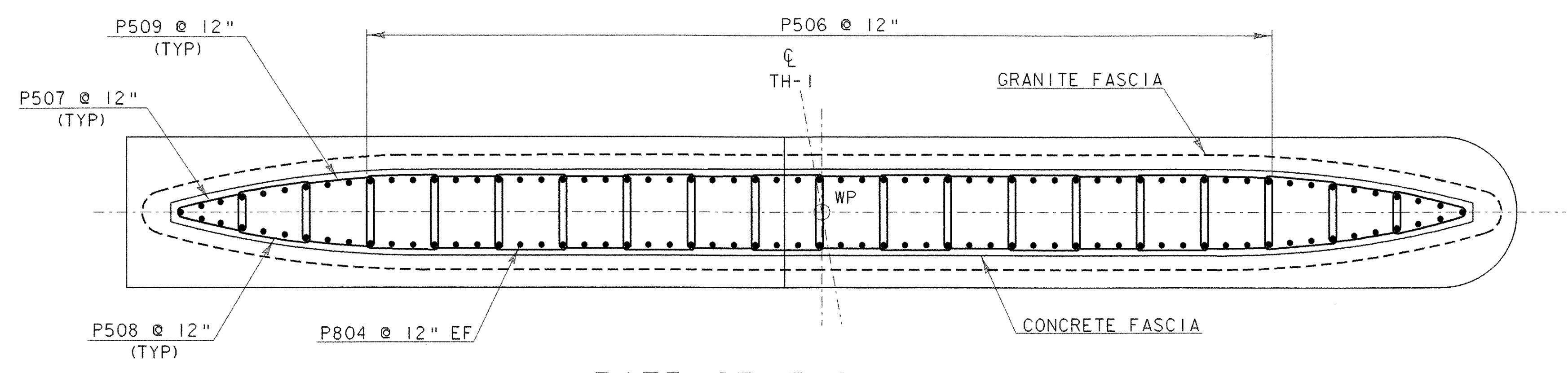
TYPICAL TIE DETAIL

SCALE 1/2" = 1'-0"  
 1 0 1 2



PIER SECTION B-B

SCALE 1/4" = 1'-0"  
 1 0 2 4 6



PIER SECTION C-C

SCALE 1/4" = 1'-0"  
 1 0 2 4 6

← FLOW

NOTE:  
 NF = NEAR FACE  
 FF = FAR FACE  
 EF = EACH FACE  
 ▲ = CUT TO FIT IN FIELD  
 PC = POINT OF CURVATURE  
 C. J. = CONSTRUCTION JOINT  
 ALL LAP SPLICES NOT  
 DETAILED SHALL BE 2'-2"

PROJECT NAME:	ROYALTON BRZ 1444 (22)
PROJECT NUMBER:	
FILE NAME: 89j099/structures/sj099pier.dgn	PLOT DATE: 25-SEP-2000
IPARM NAME: sj099piersections.i	DRAWN BY: D.G. BASSETT
PROJECT LEADER: C.P. WILLIAMS	CHECKED BY: W.B. SYMONDS
DESIGNED BY: W.B. SYMONDS	SHEET 65 OF 118
PIER SECTIONS	