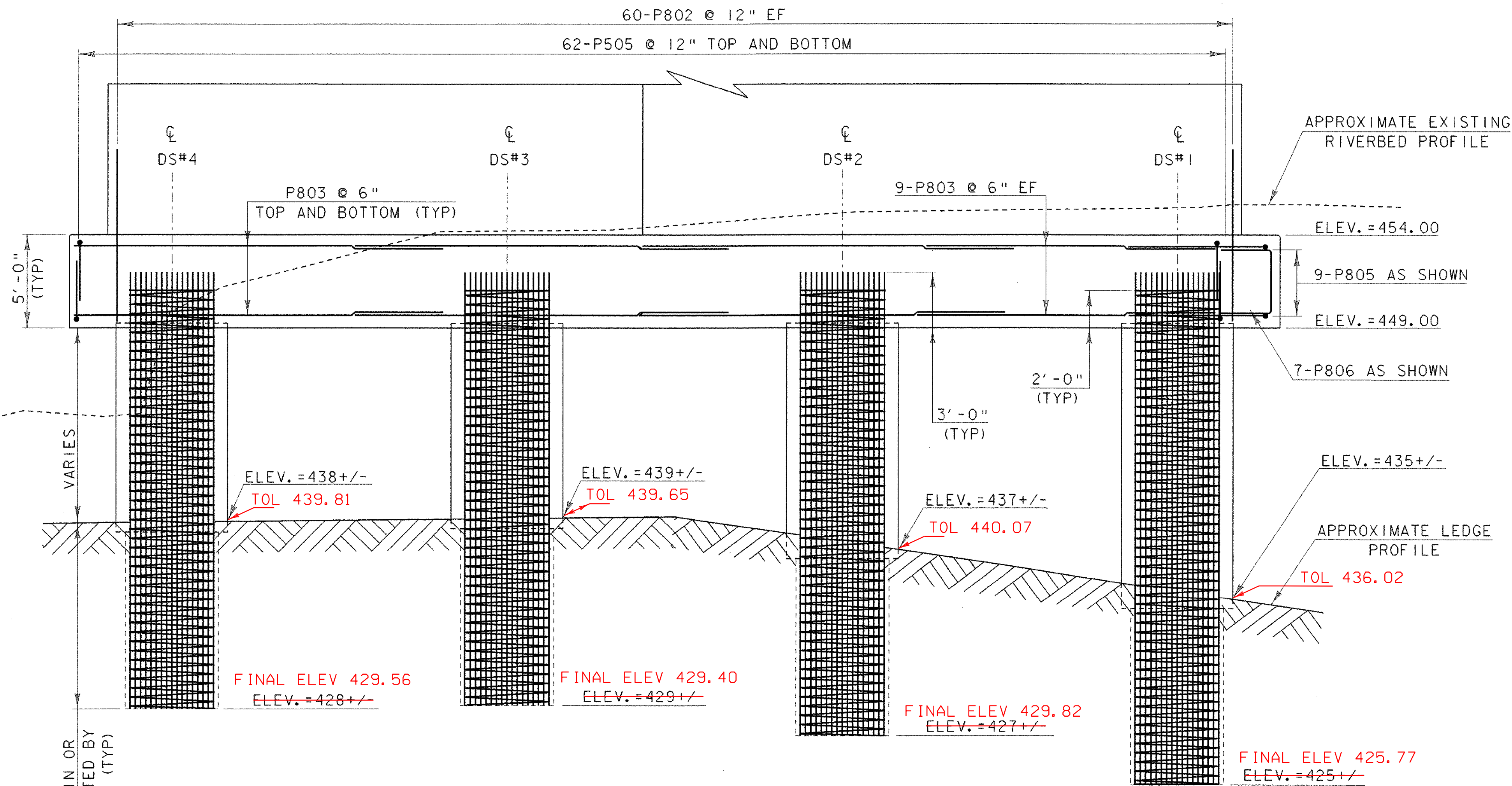


DRILLED SHAFT AND PIER FOOTING REINFORCING PLAN

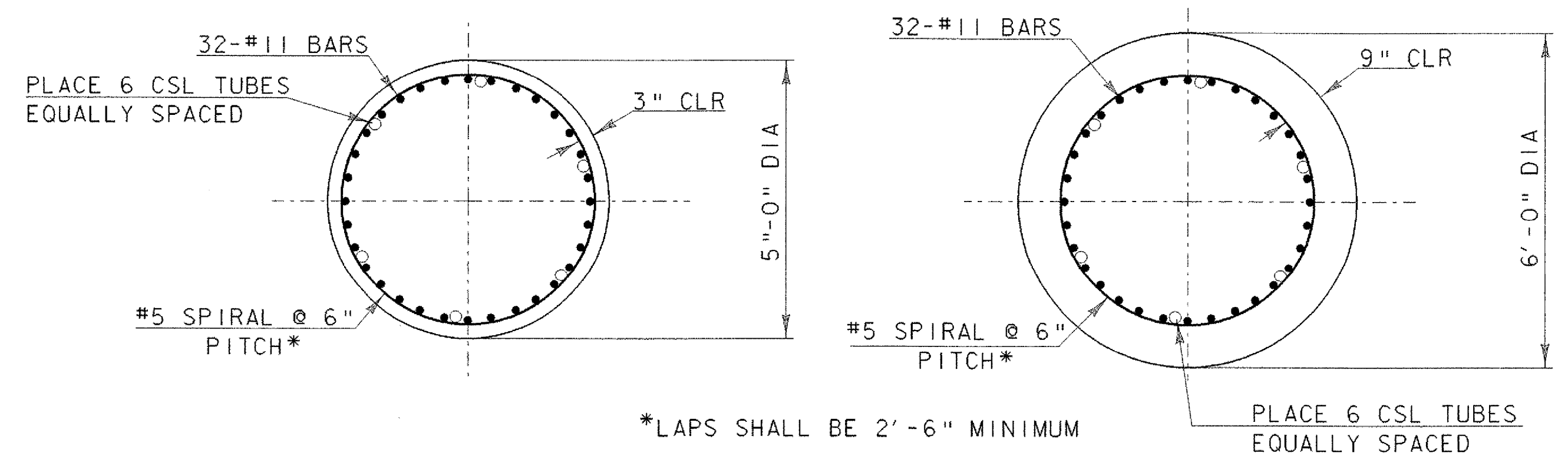
FLOW

SCALE 1/4" = 1'-0"  
1 0 2 4 6



DRILLED SHAFT AND PIER FOOTING REINFORCING ELEVATION

SCALE 1/4" = 1'-0"  
1 0 2 4 6

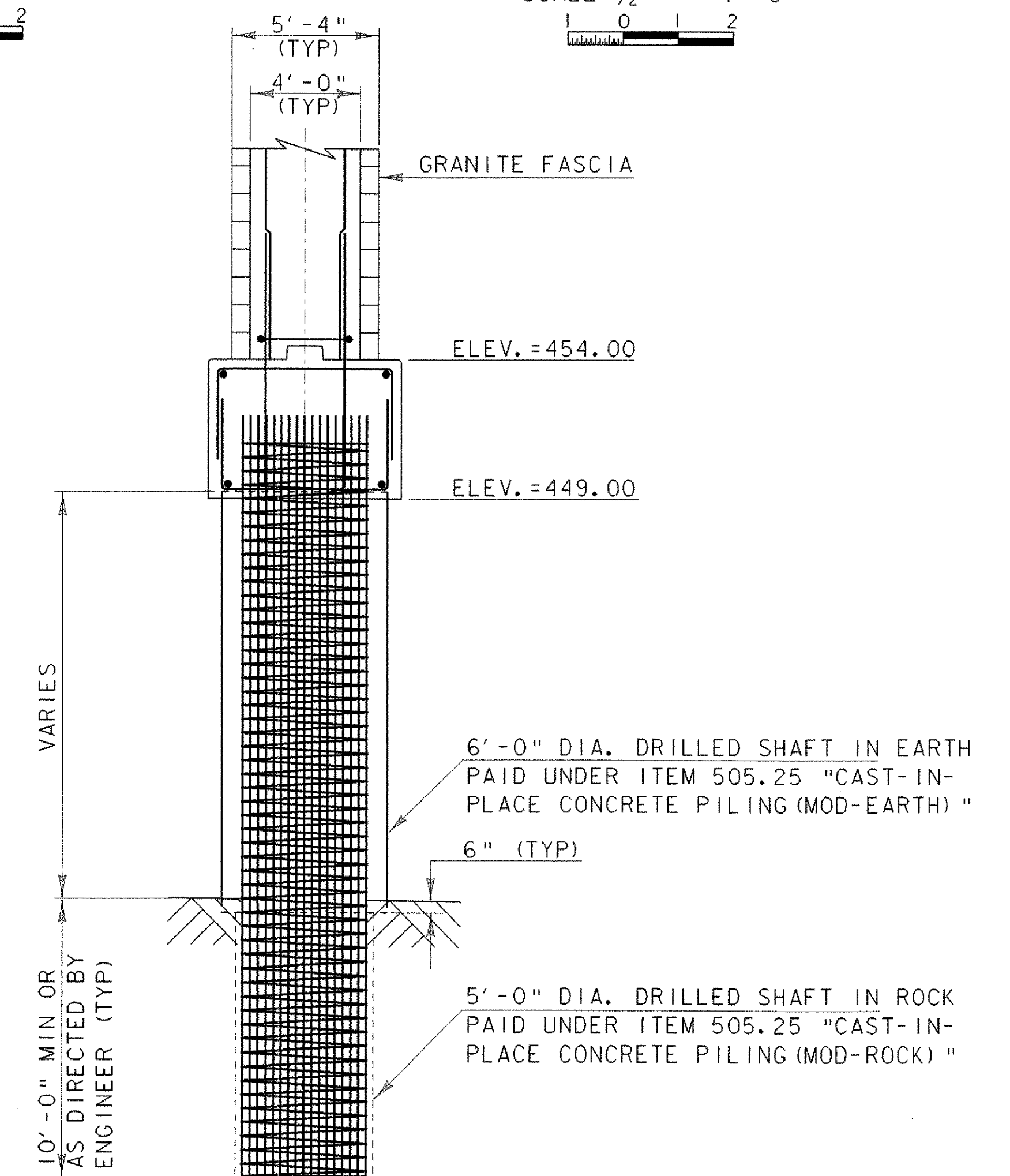


DRILLED SHAFT IN ROCK TYPICAL SECTION

SCALE 1/2" = 1'-0"  
1 0 2

DRILLED SHAFT IN EARTH TYPICAL SECTION

SCALE 1/2" = 1'-0"  
1 0 2



DRILLED SHAFT TYPICAL SECTION

SCALE 1/4" = 1'-0"  
1 0 2 4 6

NOTE:

- NF = NEAR FACE
- FF = FAR FACE
- EF = EACH FACE
- ▲ = CUT TO FIT IN FIELD
- PC = POINT OF CURVATURE
- C.J. = CONSTRUCTION JOINT
- ALL LAP SPLICES NOT DETAILED SHALL BE 2'-2"
- CSL = CROSS HOLE SONIC LOGGING

PROJECT NAME:	ROYALTON BRZ 1444 (22)
PROJECT NUMBER:	
FILE NAME:	89j099/structures/sj099pier.dgn
IPARM NAME:	sj099ftgshaftrein.i
PROJECT LEADER:	C.P. WILLIAMS
DESIGNED BY:	W.B. SYMONDS
PLOT DATE:	11-AUG-2000
DRAWN BY:	D.G. BASSETT
CHECKED BY:	W.B. SYMONDS
DRILLED SHAFT AND FOOTING DETAILS SHEET 64	