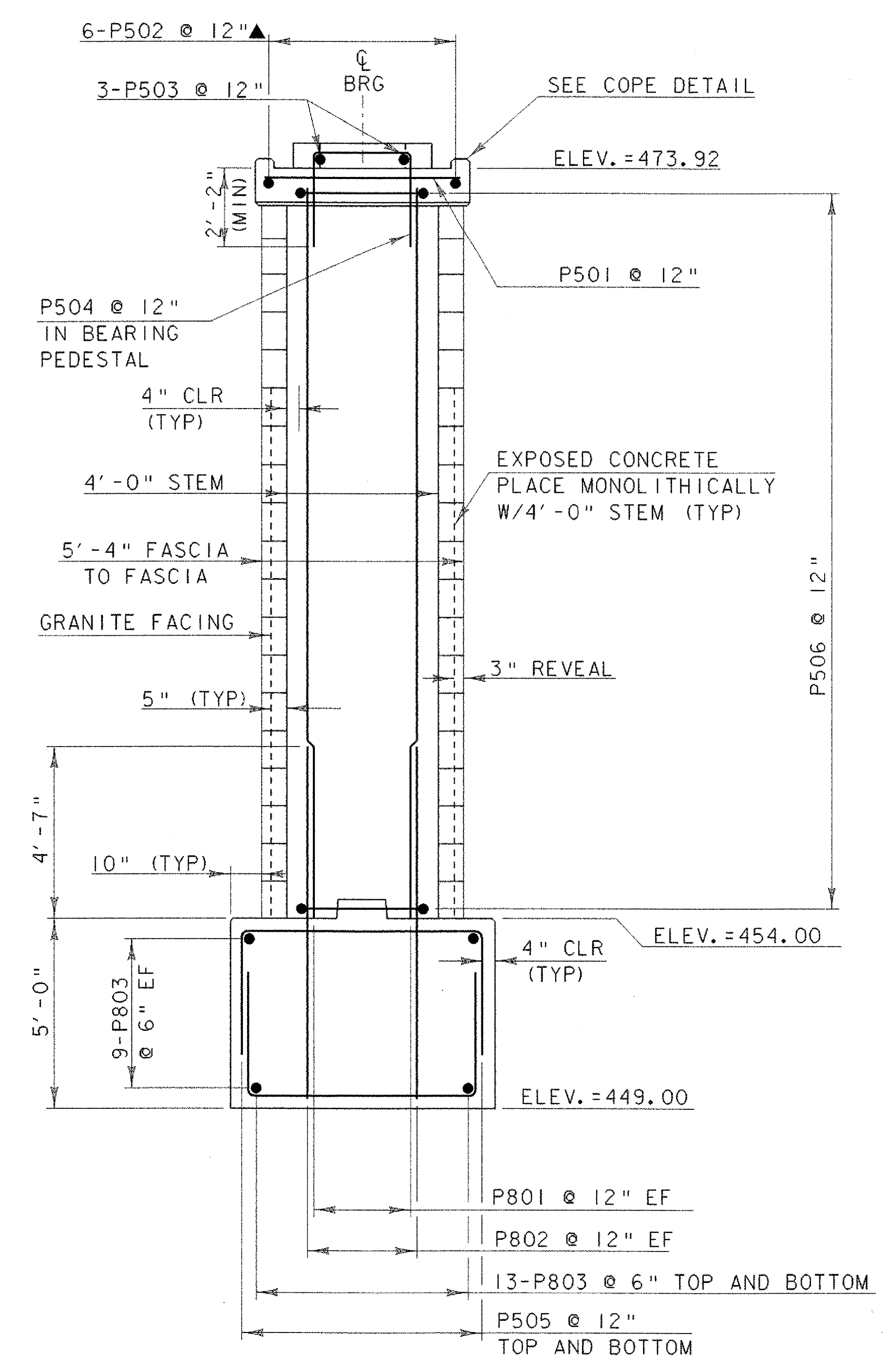


PIER REINFORCING PLAN AND ELEVATION

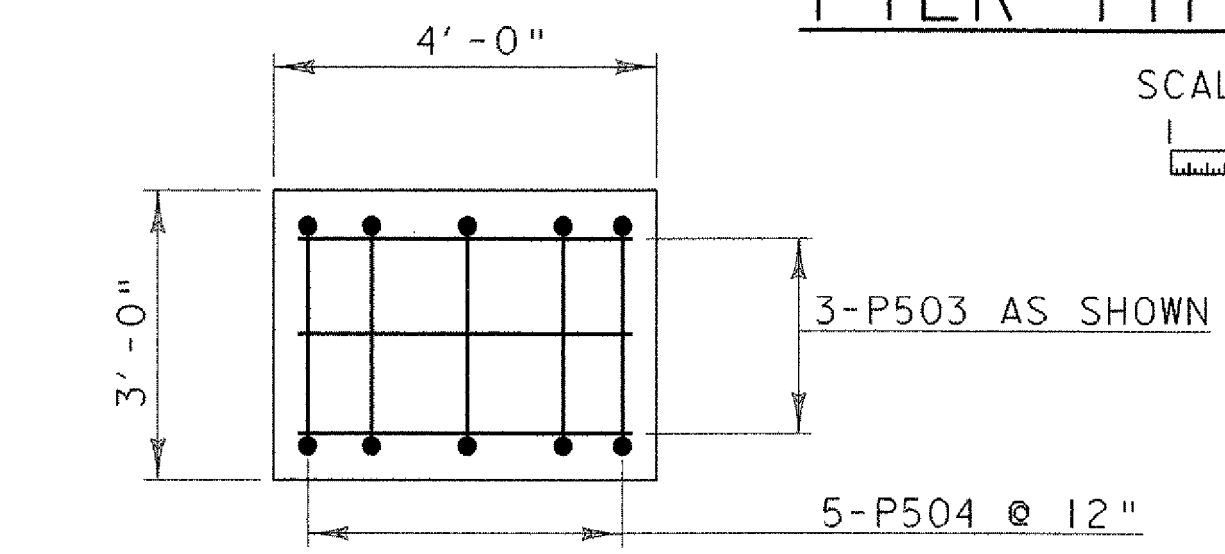
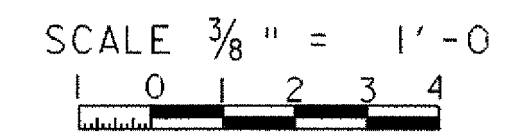


BEARING PEDESTAL ELEVATIONS

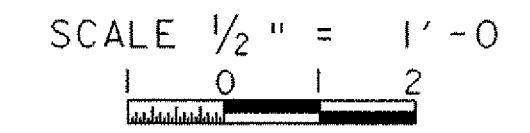
CL	G5	G4	G3	G2	G1
	474.50	474.68	474.78	474.60	474.43
	474.42				474.39



PIER TYPICAL SECTION



BEARING PEDESTAL



NOTE:
 NF = NEAR FACE
 FF = FAR FACE
 EF = EACH FACE
 ▲ = CUT TO FIT IN FIELD
 C.J. = CONSTRUCTION JOINT
 ALL LAP SPLICES NOT
 DETAILED SHALL BE 2'-2"

DRILLED SHAFT REINFORCING
 NOT SHOWN FOR CLARITY

PROJECT NAME:	ROYALTON BRZ 1444 (22)
PROJECT NUMBER:	
FILE NAME:	89j099/structures/sj099pier.dgn
IPARM NAME:	sj099pierrein.i
PROJECT LEADER:	C.P. WILLIAMS
DESIGNED BY:	W.B. SYMONDS
PIER REINFORCING DETAILS	
PLOT DATE:	11-AUG-2000
DRAWN BY:	D.G. BASSETT
CHECKED BY:	W.B. SYMONDS
SHEET	63