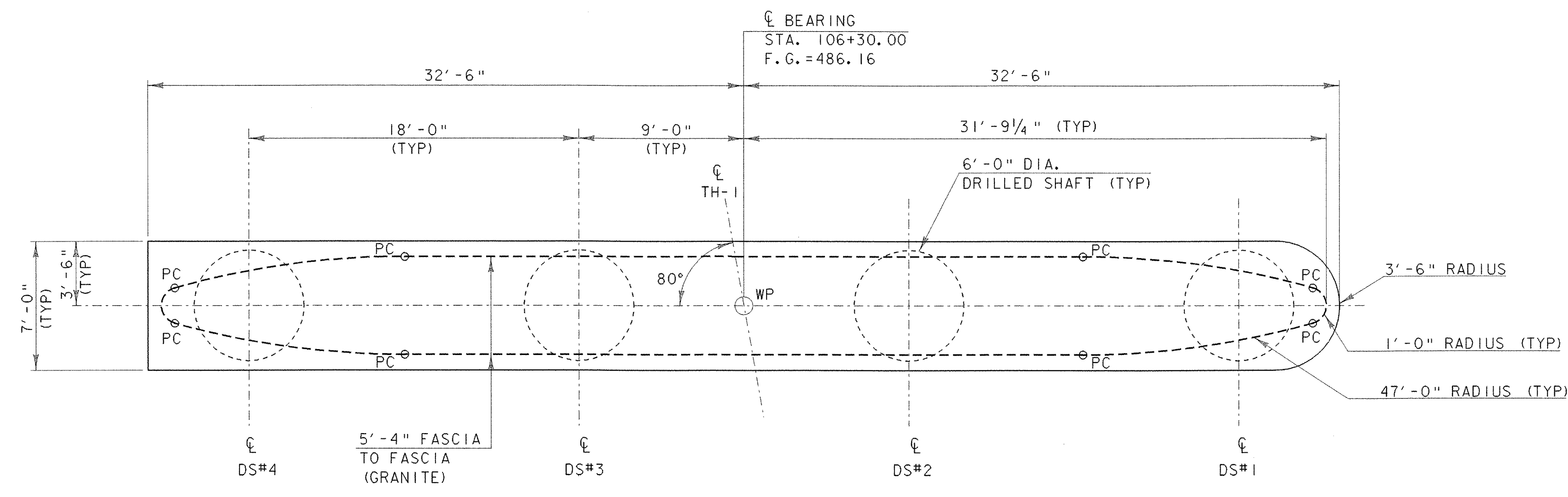


PIER PLAN

SCALE 1/4" = 1'-0"



DRILLED SHAFT AND PIER FOOTING PLAN

SCALE 1/4" = 1'-0"

- NOTE:**
- NF = NEAR FACE
 - FF = FAR FACE
 - EF = EACH FACE
 - ▲ = CUT TO FIT IN FIELD
 - PC = POINT OF CURVATURE
 - C. J. = CONSTRUCTION JOINT
 - ALL LAP SPLICES NOT DETAILED SHALL BE 2'-2"

PROJECT NAME:	ROYALTON BRZ 1444 (22)
PROJECT NUMBER:	
FILE NAME: 89j099/structures/sj099pier.dgn	PLOT DATE: 25-SEP-2000
IPARM NAME: sj099pierpe.i	DRAWN BY: D.G. BASSETT
PROJECT LEADER: C.P. WILLIAMS	CHECKED BY: W.B. SYMONDS
DESIGNED BY: W.B. SYMONDS	SHEET 62 OF 118
PIER AND FOOTING PLAN	