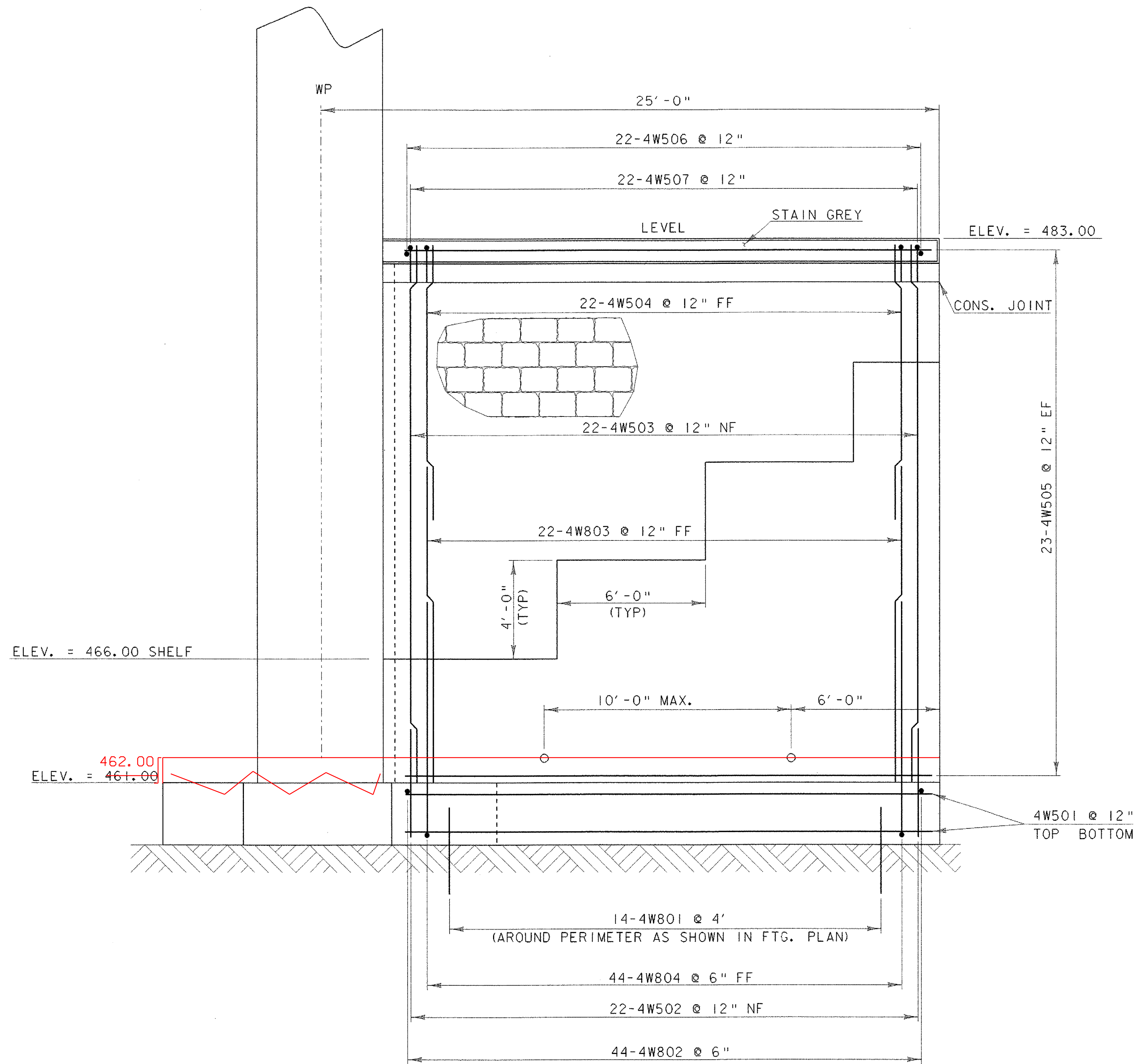


WINGWALL # 4 TYPICAL SECTION

SCALE  $\frac{3}{8}$ " = 1'-0"  
 1 0 1 2 3 4



WINGWALL # 4 ELEVATION

SCALE  $\frac{3}{8}$ " = 1'-0"  
 1 0 1 2 3 4

NOTE:

- NF = NEAR FACE
- FF = FAR FACE
- EF = EACH FACE
- ▲ = CUT TO FIT IN FIELD
- C.J. = CONSTRUCTION JOINT
- ALL LAP SPLICES NOT DETAILED SHALL BE 2'-2"

PROJECT NAME:	ROYALTON BRZ 1444 (22)
PROJECT NUMBER:	
FILE NAME: 89j099/structures/sj099ab2.dgn	PLOT DATE: 25-SEP-2000
IPARM NAME: sj099ww4.i	DRAWN BY: D.G. BASSETT
PROJECT LEADER: C.P. WILLIAMS	CHECKED BY: C.P. WILLIAMS
DESIGNED BY: K.M. HIGGINS	SHEET 61 OF 118
WINGWALL #4 DETAILS	