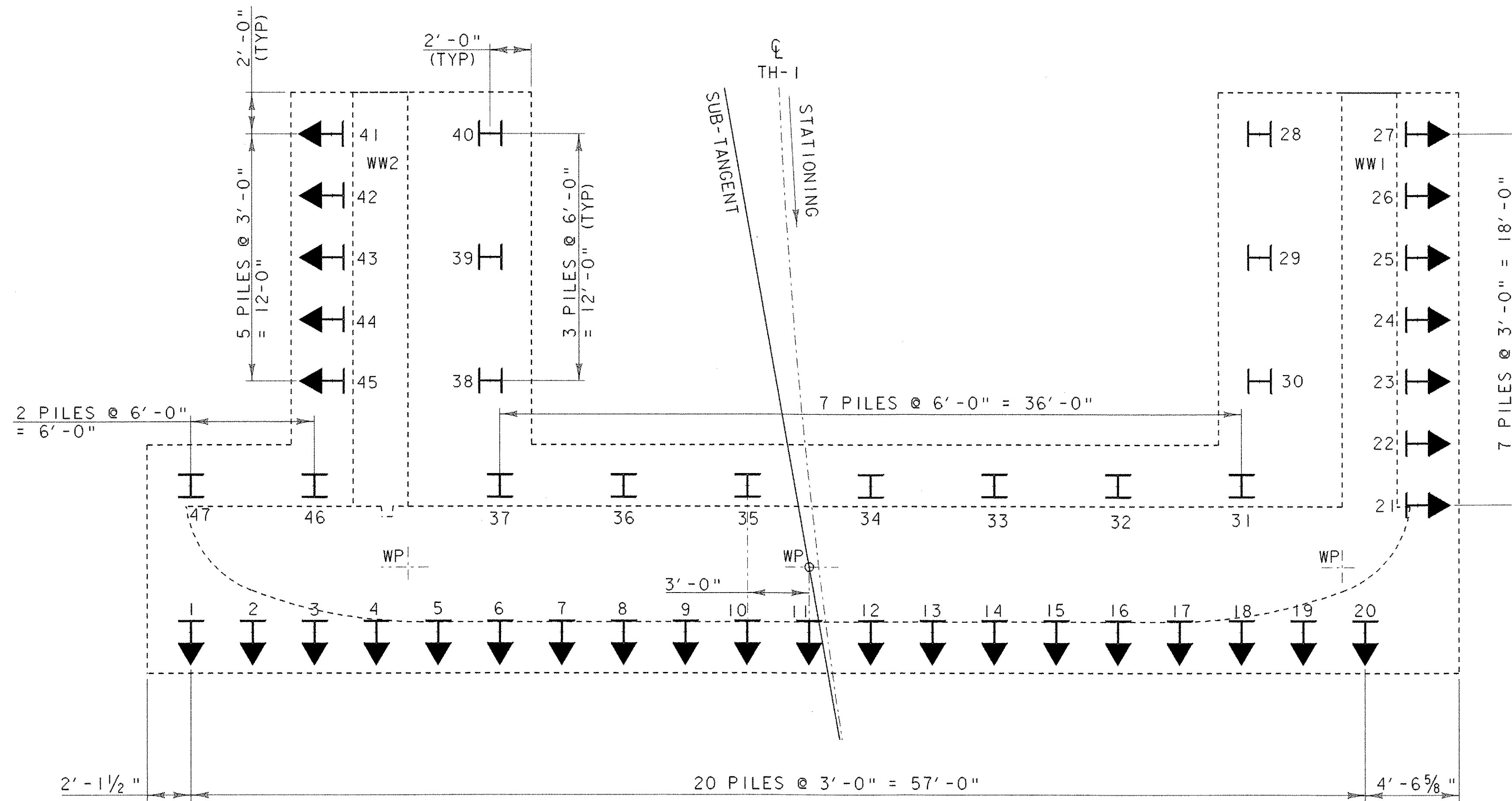
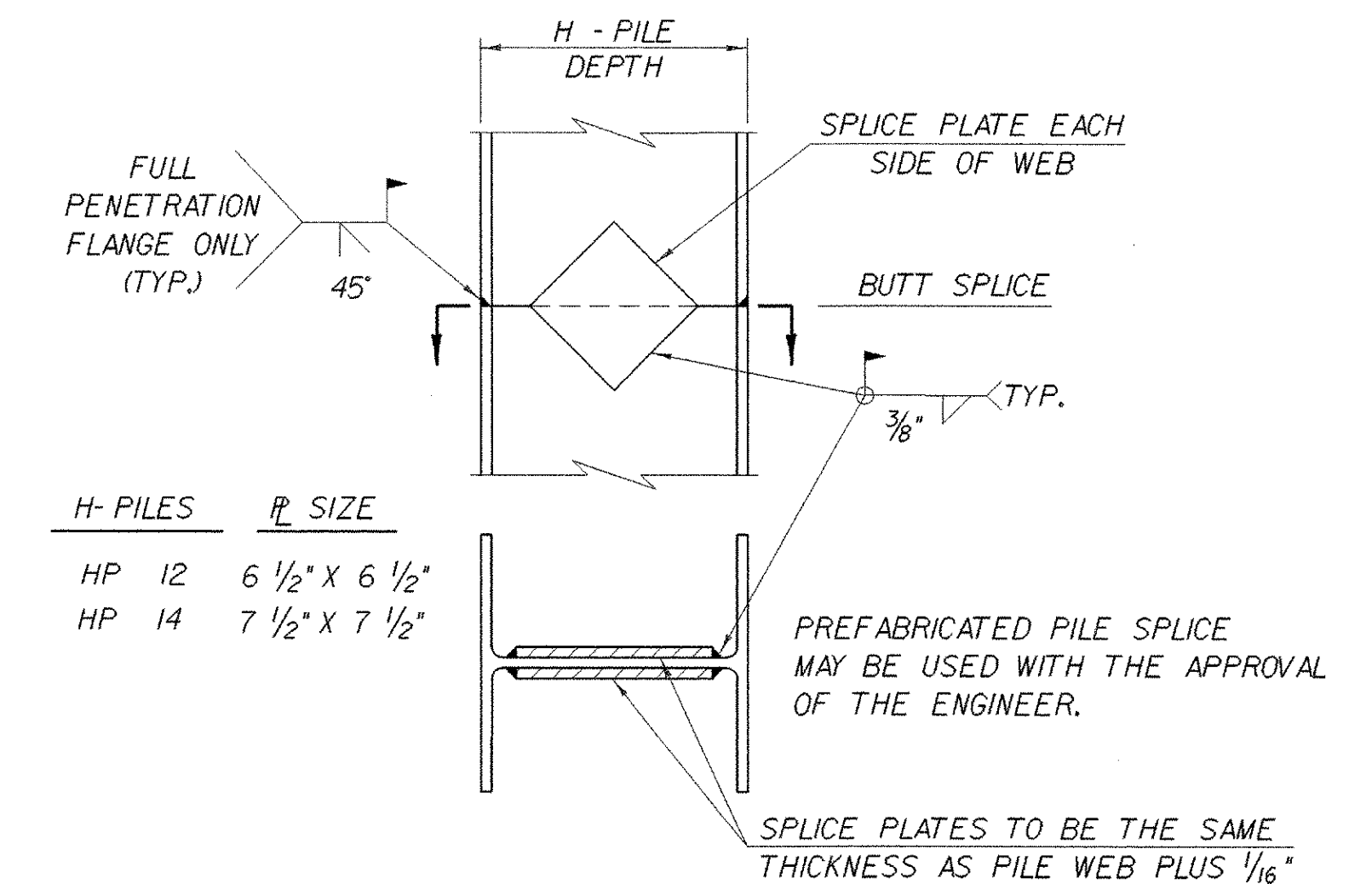


ALL PILES ARE HP 14 X 73



ABUTMENT #1 PILE LAYOUT

SCALE 1/4" = 1'-0"



DETAIL OF PILE SPLICE

NTS

PILE KEY

- VERTICAL PILE
- BATTERED 3 HORIZONTAL TO 12 VERTICAL

PROJECT NAME: ROYALTON BRZ 1444 (22)
 PROJECT NUMBER:
 FILE NAME: 89j099/structures/sj099abl.dgn PLOT DATE: 25-SEP-2000
 IPARM NAME: sj099pileplan.i DRAWN BY: D.G. BASSETT
 PROJECT LEADER: C.P. WILLIAMS CHECKED BY: C.P. WILLIAMS
 DESIGNED BY: C.P. WILLIAMS SHEET 55 OF 118
 ABUTMENT #1 PILE LAYOUT