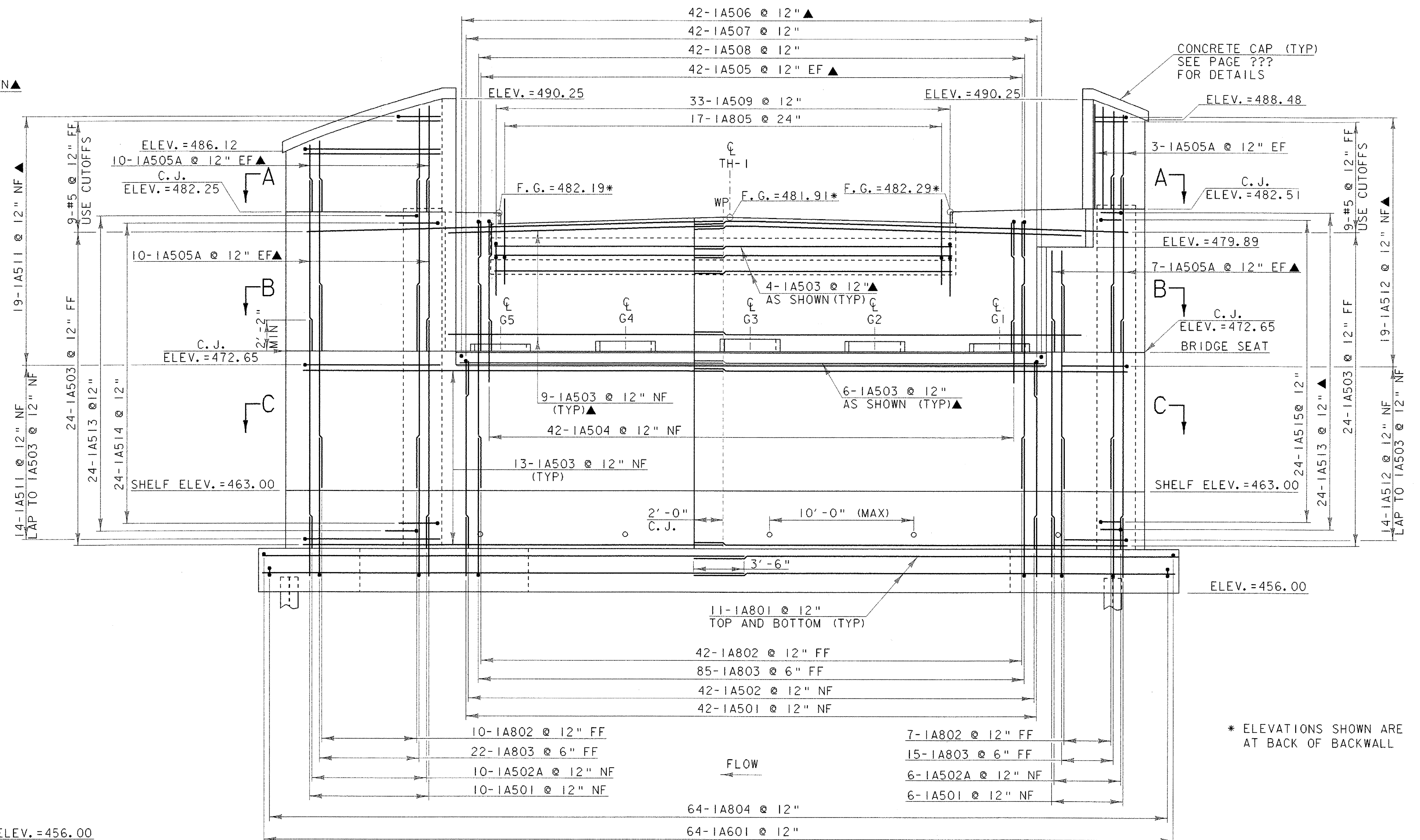


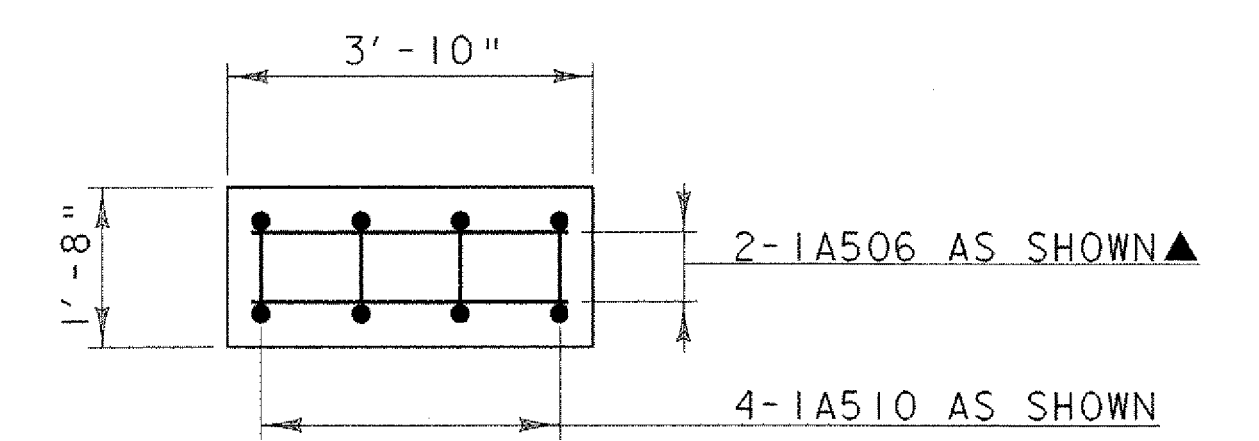
ABUTMENT #1 TYPICAL SECTION

SCALE 1/2" = 1'-0"



ABUTMENT #1 ELEVATION

SCALE 1/4" = 1'-0"



BEARING PEDESTAL

SCALE 1/2" = 1'-0"

BEARING PEDESTAL ELEVATIONS

CL G5	CL G4	CL G3	CL G2	CL G1
473.15	473.36	473.52	473.37	473.23
473.07				473.20

* ELEVATIONS SHOWN ARE AT BACK OF BACKWALL

NOTE:
 NF = NEAR FACE
 FF = FAR FACE
 EF = EACH FACE
 ▲ = CUT TO FIT IN FIELD
 BOXOUTS SHALL BE FORMED IN THE BACKWALL TO ACCOMODATE ALL UTILITIES. SEE UTILITY PLANS ALL LAP SPLICES NOT AND GENERAL NOTES FOR DETAILS. DETAILED SHALL BE 2'-2"

PROJECT NAME: ROYALTON BRZ 1444 (22)
 PROJECT NUMBER:
 FILE NAME: 89j099/structures/sj099abi.dgn PLOT DATE: 11-AUG-2000
 IPARM NAME: sj099abut1.i DRAWN BY: D.G. BASSETT
 PROJECT LEADER: C.P. WILLIAMS
 DESIGNED BY: W.B. SYMONDS CHECKED BY: C.P. WILLIAMS
 ABUTMENT #1 TYPICAL AND ELEVATION SHEET 50