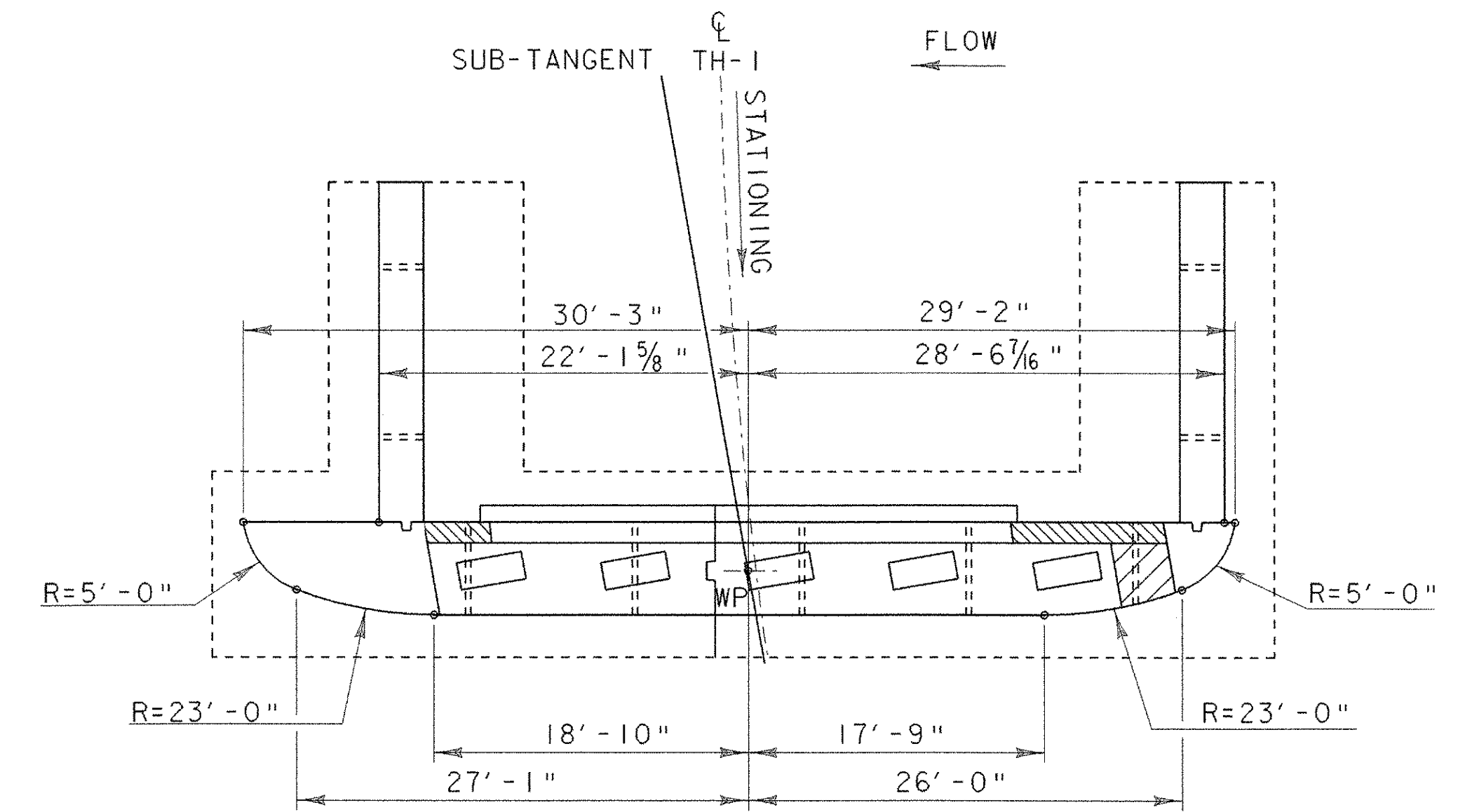


ABUTMENT #1 PLAN

SCALE 1/4" = 1'-0"
 0 2 4 6



ABUTMENT #1 PLAN
 ADDITIONAL DIMENSIONS

SCALE 1/8" = 1'-0"
 0 2 4 6 8

- NOTE:
- NF = NEAR FACE
 - FF = FAR FACE
 - EF = EACH FACE
 - ▲ = CUT TO FIT IN FIELD
 - PC = POINT OF CURVATURE
 - C.J. = CONSTRUCTION JOINT
 - ALL LAP SPLICES NOT DETAILED SHALL BE 2'-2"

FOR GRANITE FACING DETAILS
 AND NOTES SEE SHEET 66.

PROJECT NAME:	ROYALTON BRZ 1444 (22)	
PROJECT NUMBER:		
FILE NAME: 89j099/structures/sj099ab1.dgn	PLOT DATE: 25-SEP-2000	
IPARM NAME: sj099abut1a.i	DRAWN BY: D.G. BASSETT	
PROJECT LEADER: C.P. WILLIAMS	CHECKED BY: C.P. WILLIAMS	
DESIGNED BY: C.P. WILLIAMS	SHEET 49 OF 118	
ABUTMENT #1 PLAN		