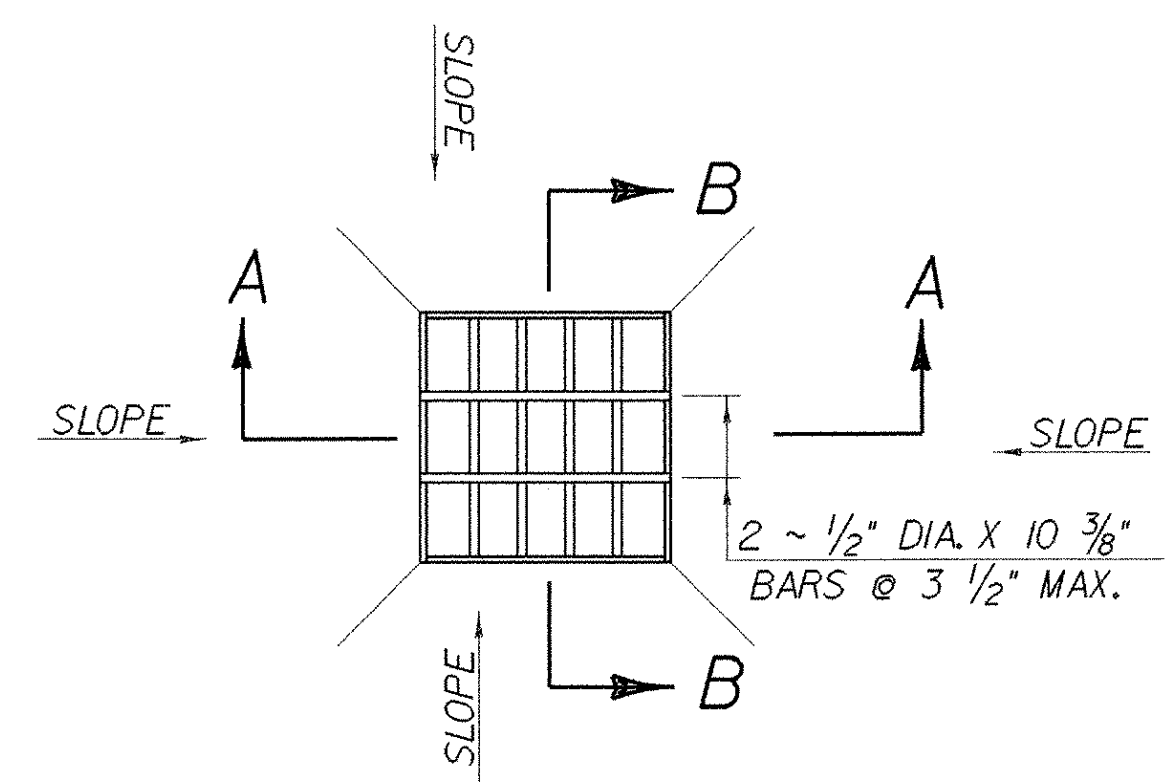
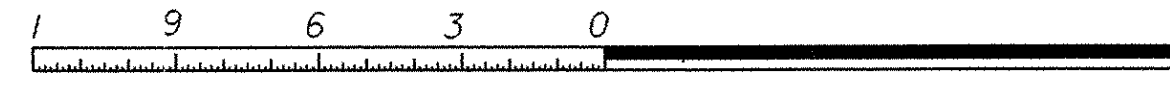
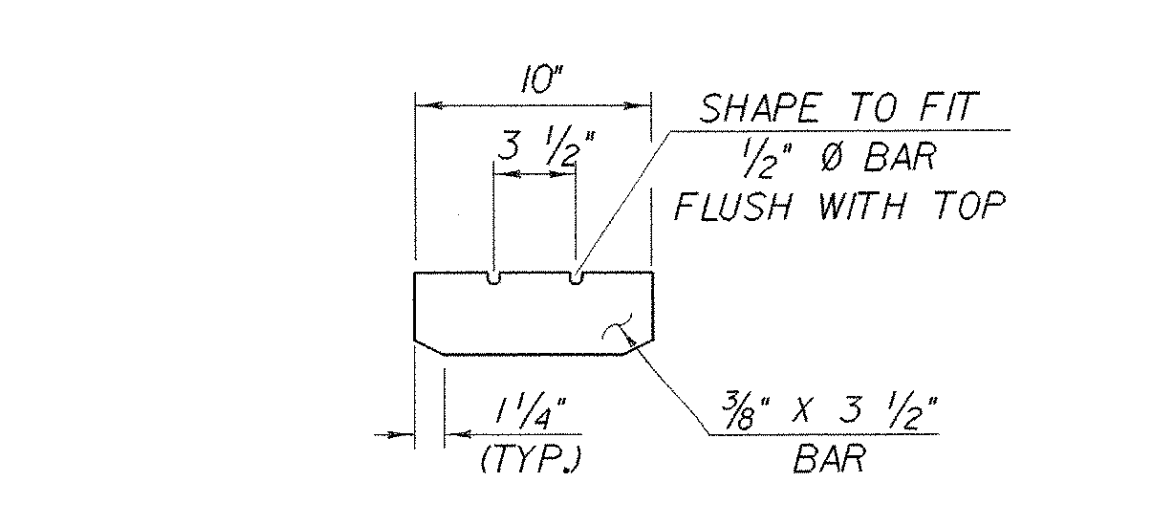
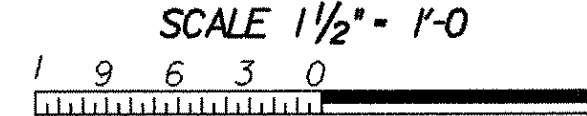


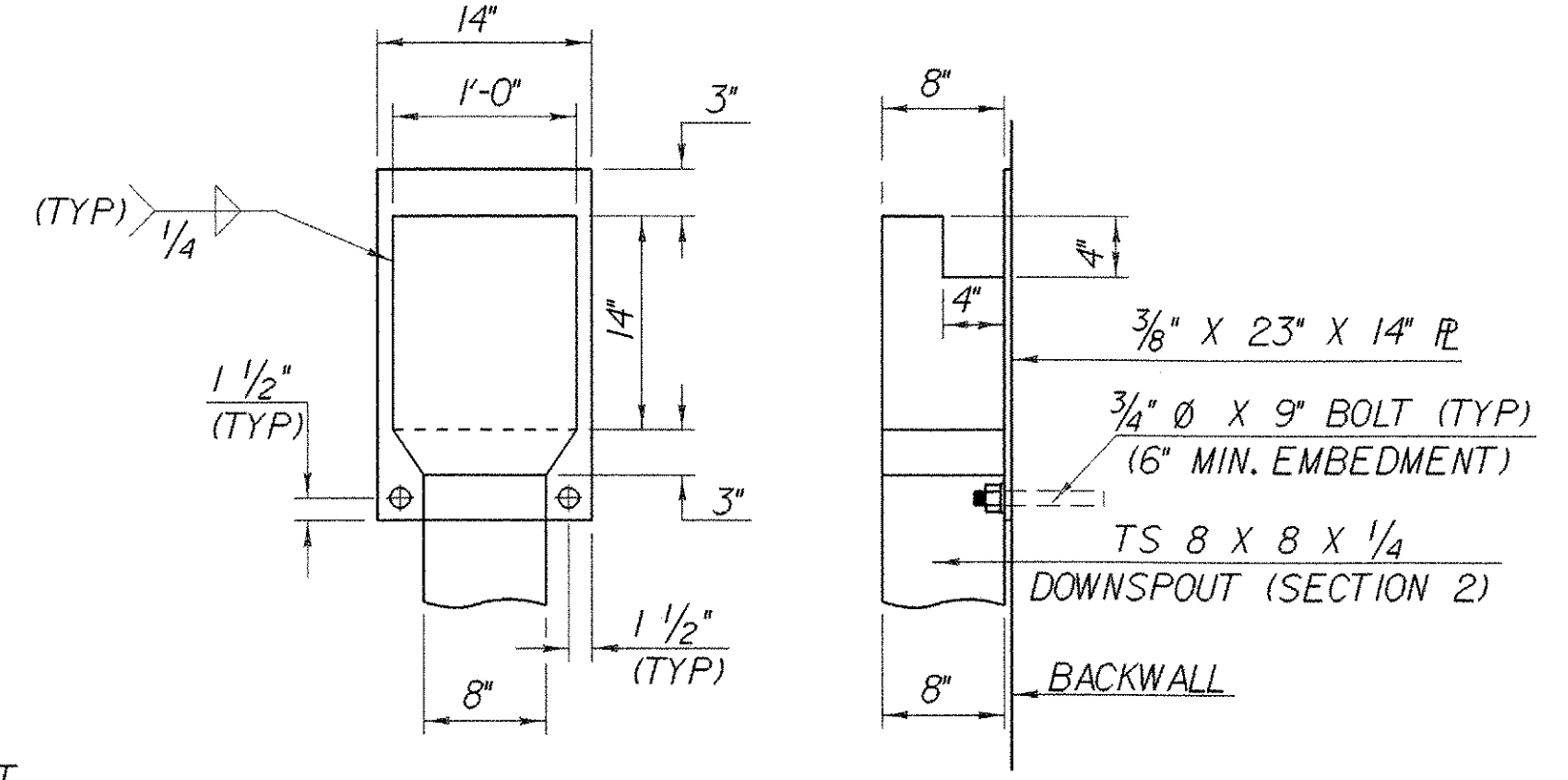
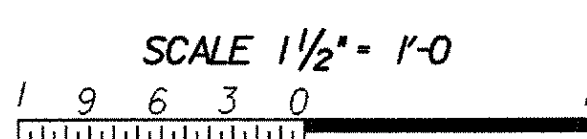
SLEEVE DETAILS
SCALE 3" = 1'-0"



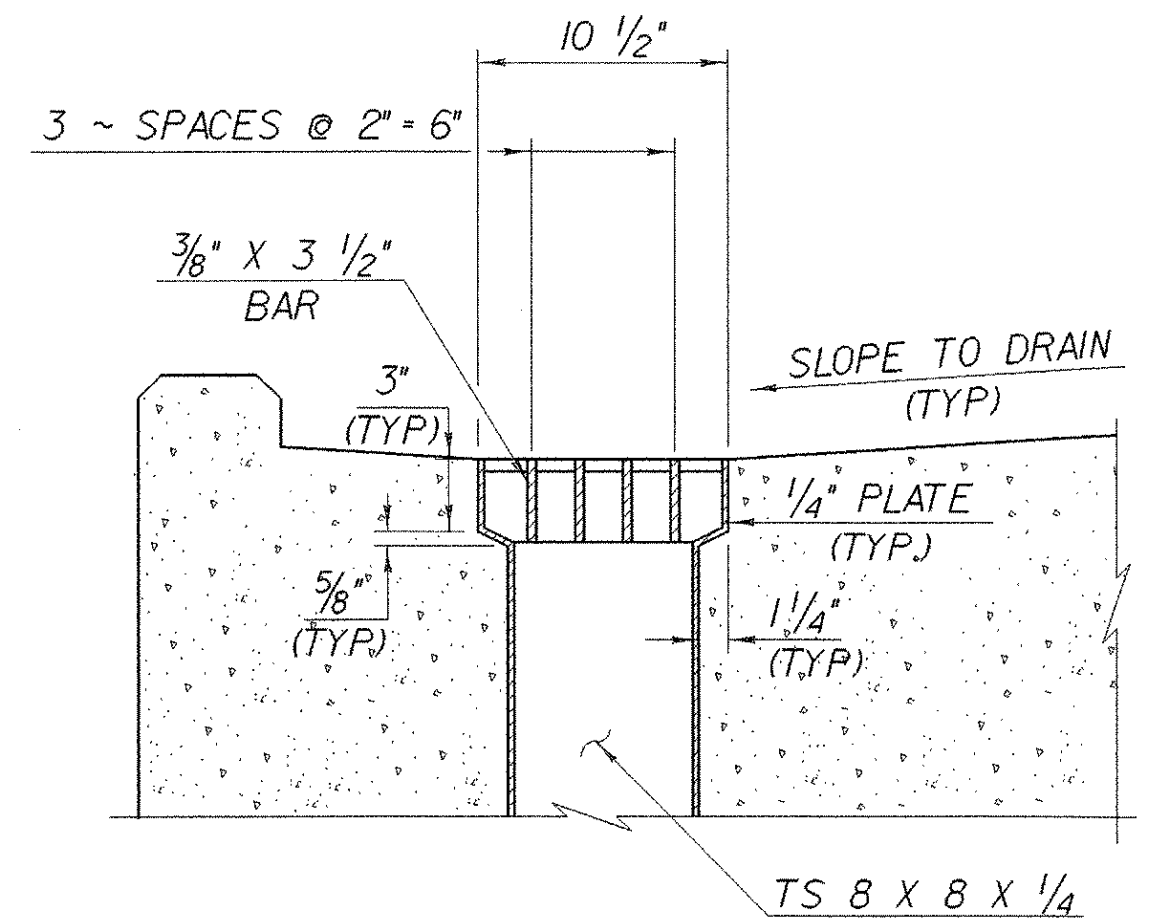
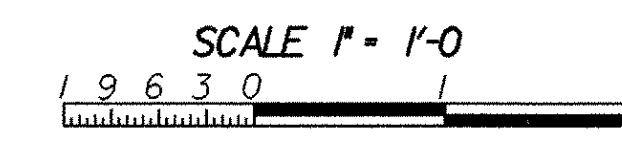
SUBSTRUCTURE DRAIN PLAN
SCALE 1 1/2" = 1'-0"



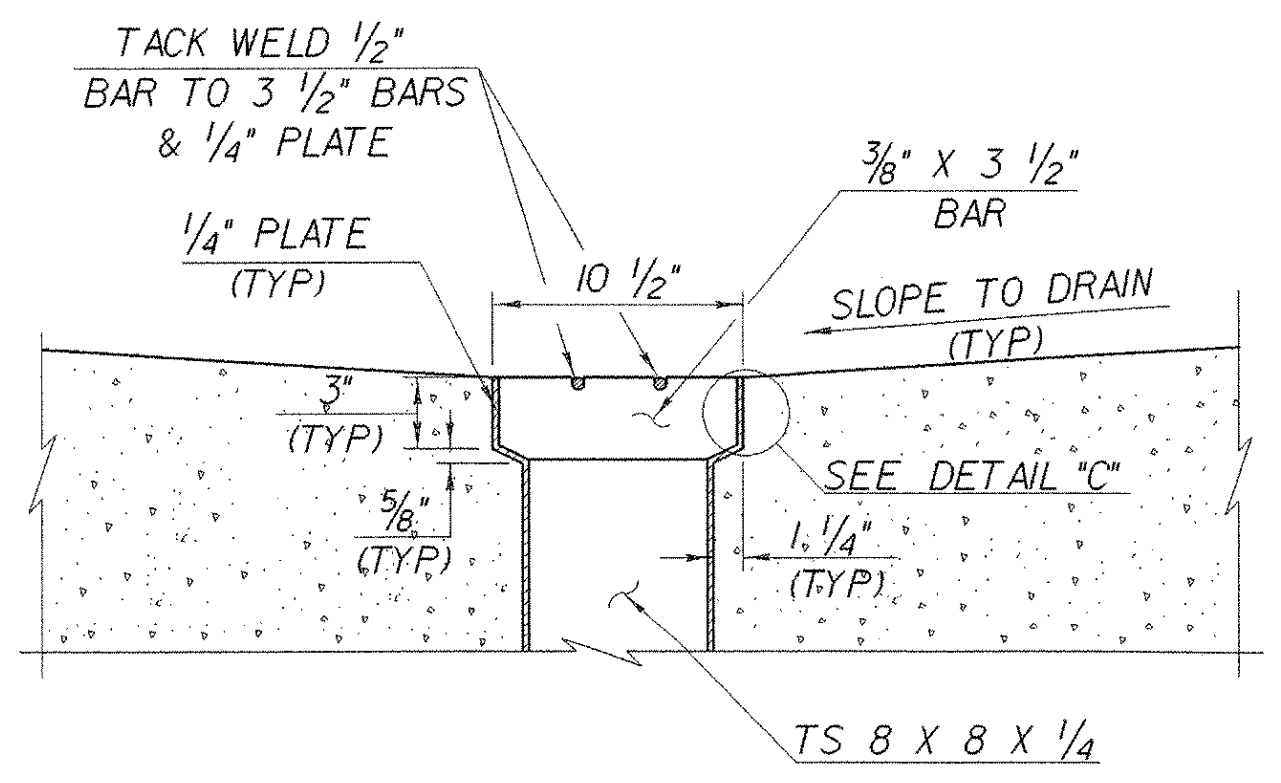
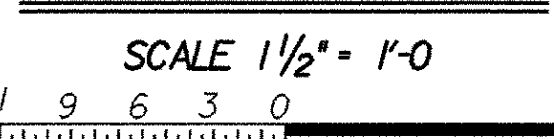
BAR DETAIL FOR SUBSTRUCTURE DRAIN GRATE
SCALE 1 1/2" = 1'-0"



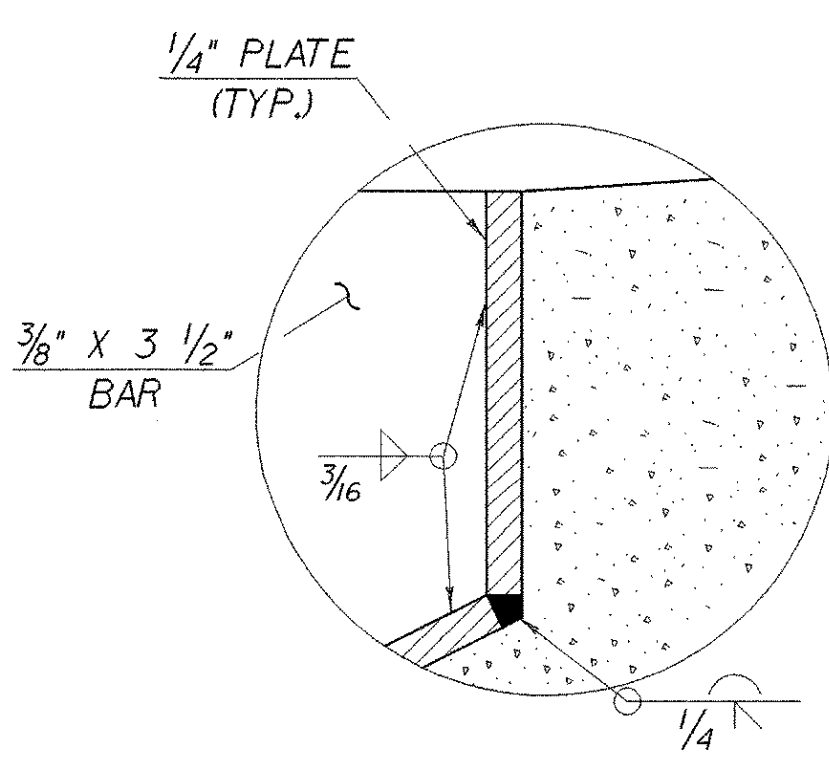
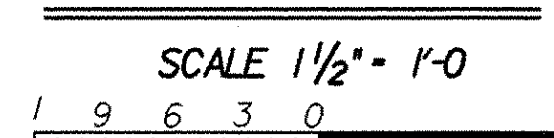
HOPPER DETAILS
SCALE 1" = 1'-0"



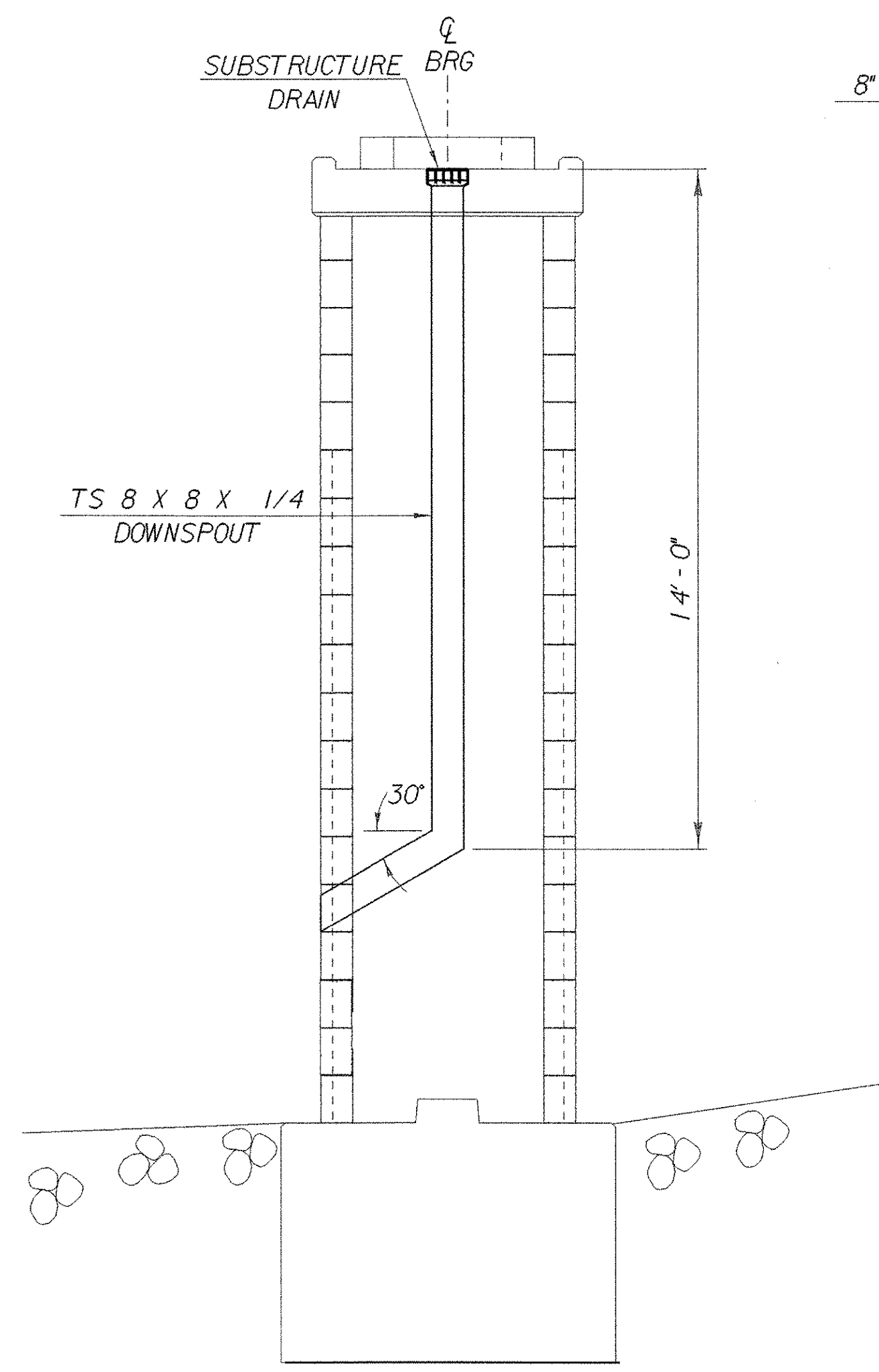
SECTION A - A
SCALE 1 1/2" = 1'-0"



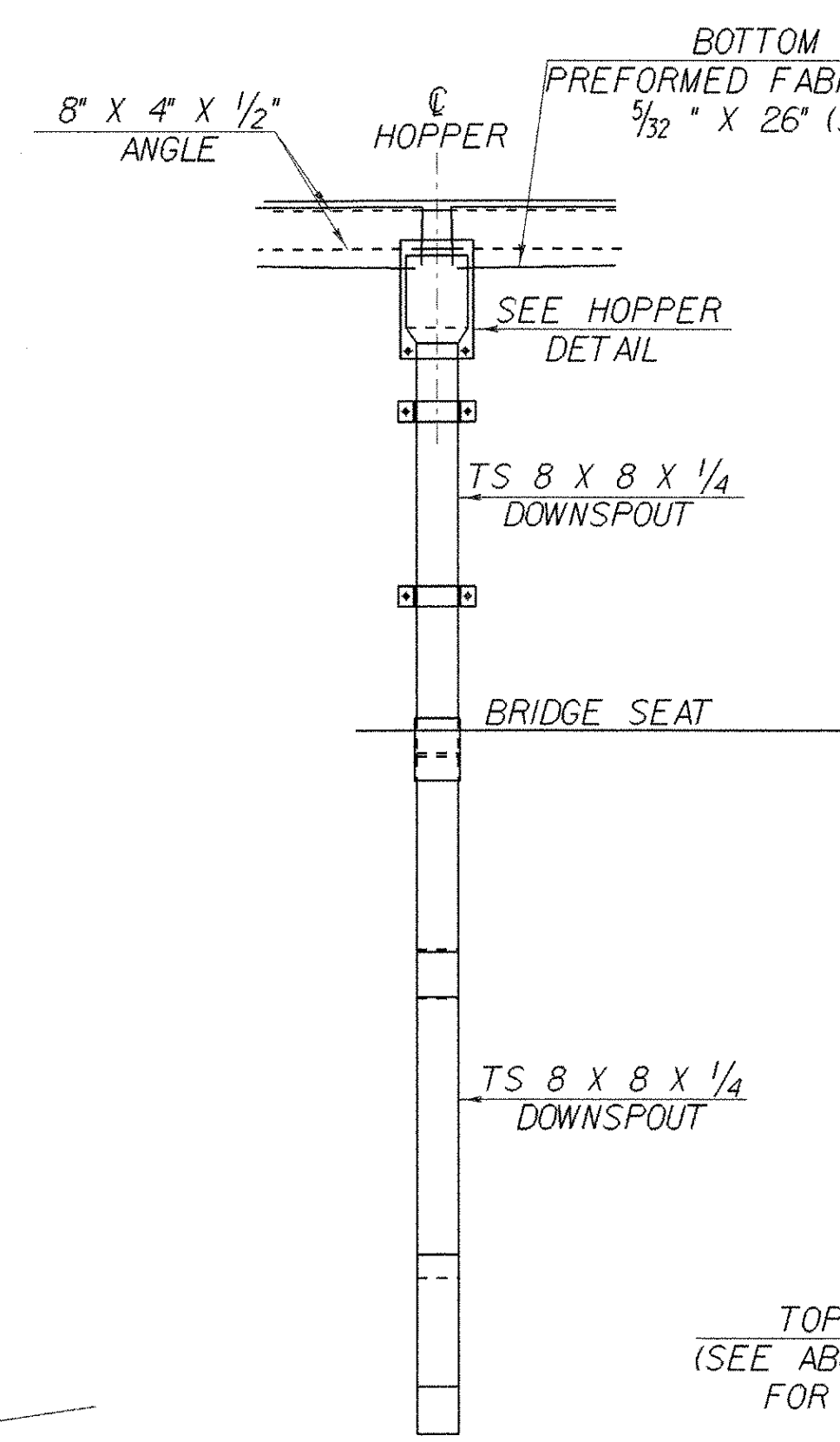
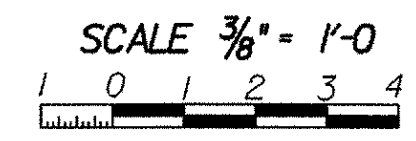
SECTION B - B
SCALE 1 1/2" = 1'-0"



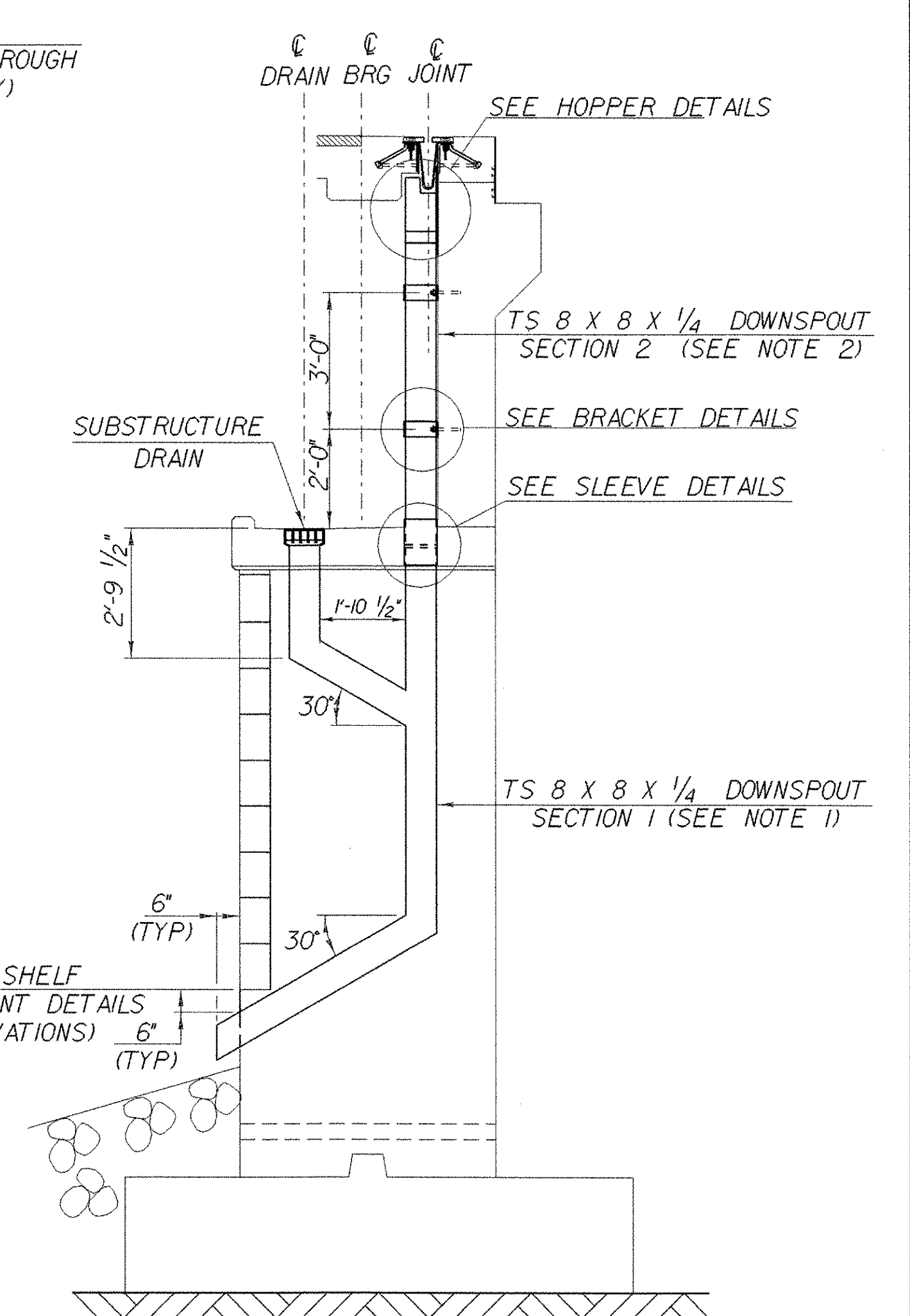
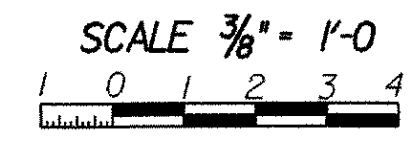
DETAIL "C"
NTS



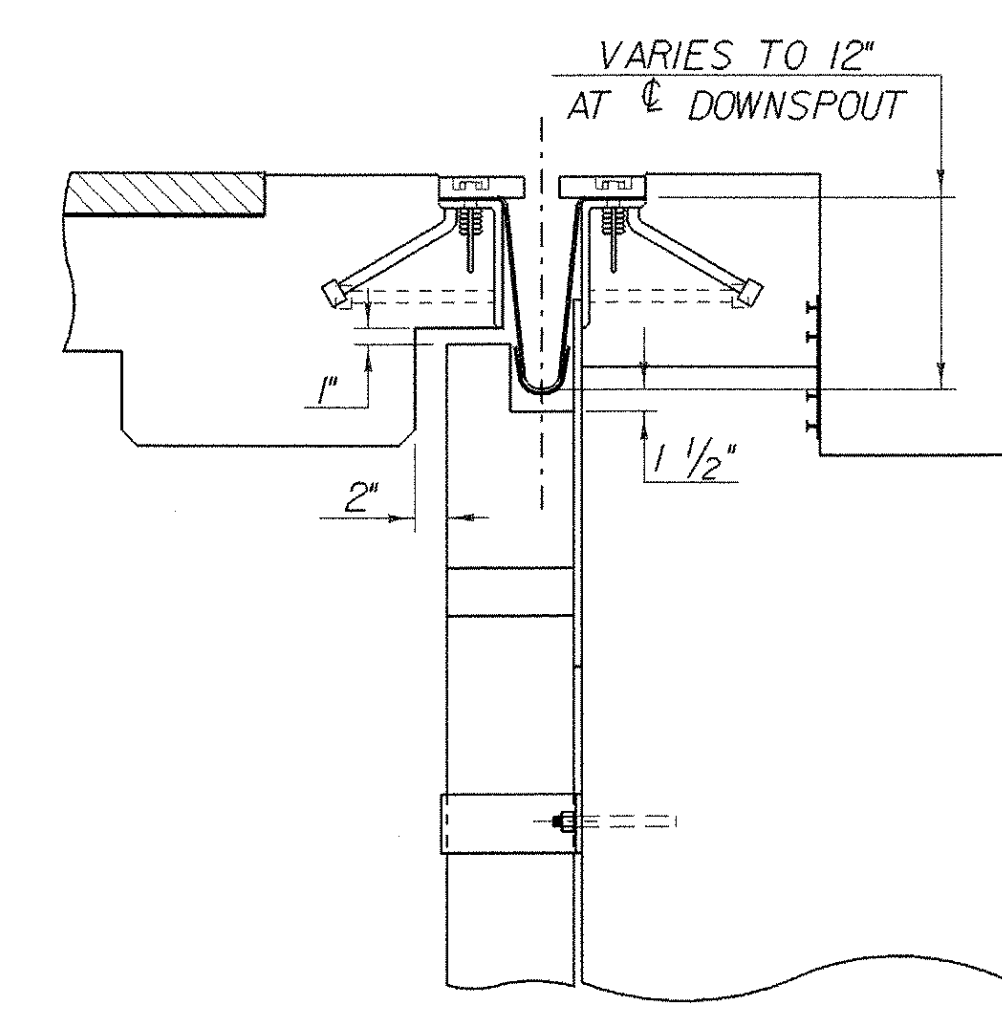
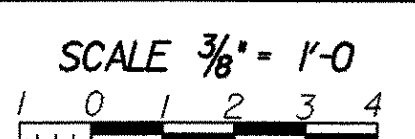
TYPICAL SECTION THROUGH DOWNSPOUT @ PIER
SCALE 3/8" = 1'-0"



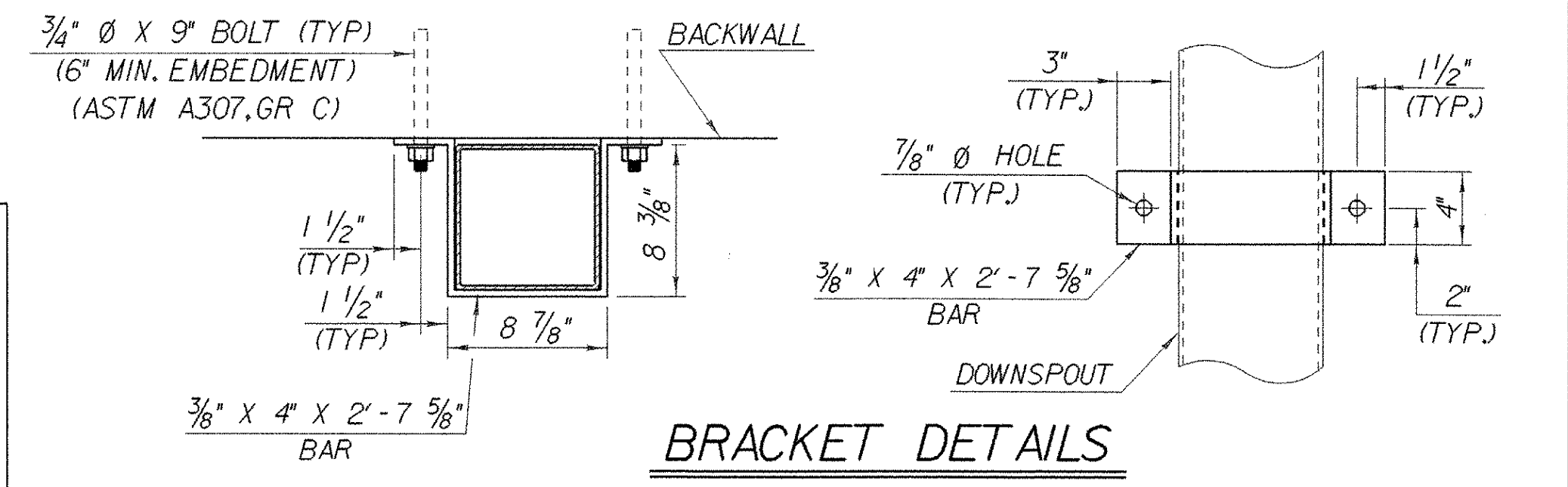
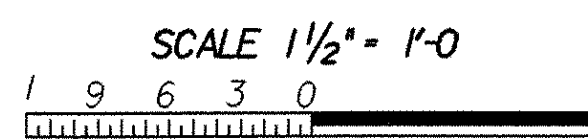
ABUTMENT DOWNSPOUT ELEVATION
SCALE 3/8" = 1'-0"



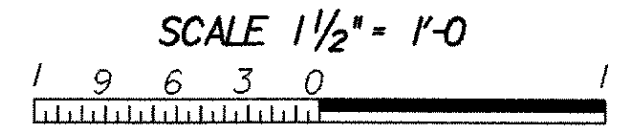
TYPICAL SECTION THROUGH DOWNSPOUT @ ABUTMENT NO. 2 (ABUTMENT NO. 1 SIMILAR)
SCALE 3/8" = 1'-0"



BLOCKOUT DETAILS
SCALE 1 1/2" = 1'-0"



BRACKET DETAILS
SCALE 1 1/2" = 1'-0"



- NOTES:
1. WELD SLEEVE TO DOWNSPOUT SECTION 1 AND CAST INTO ABUTMENT.
2. SLIDE DOWNSPOUT SECTION 2 INTO SLEEVE AND ADJUST TO DESIRED ELEVATION.

PROJECT NAME:	ROYALTON BRZ 1444 (22)
PROJECT NUMBER:	
FILE NAME:	89j099/structures/sj099joint.dgn
IPARM NAME:	sj099hop.i
PROJECT LEADER:	C.P. WILLIAMS
DESIGNED BY:	K.M. HIGGINS
HOPPER/DOWNSPOUT DETAILS	
PLOT DATE:	25-SEP-2000
DRAWN BY:	KMH
CHECKED BY:	W.B. SYMONDS
SHEET	45 OF 118