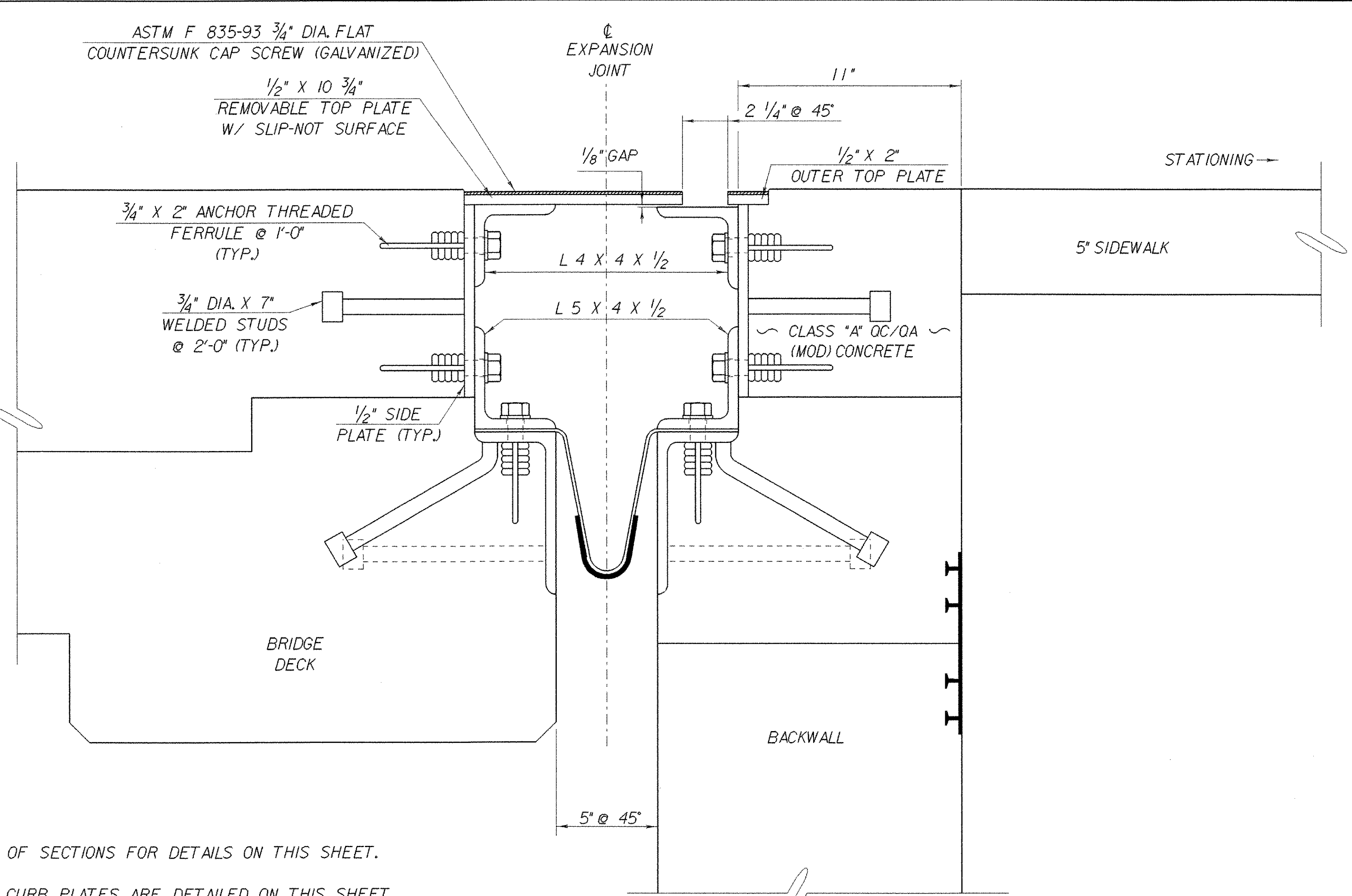


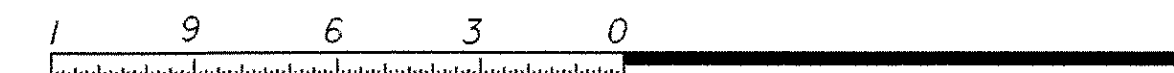
**SECTION A - A**

SCALE 3" = 1'-0"



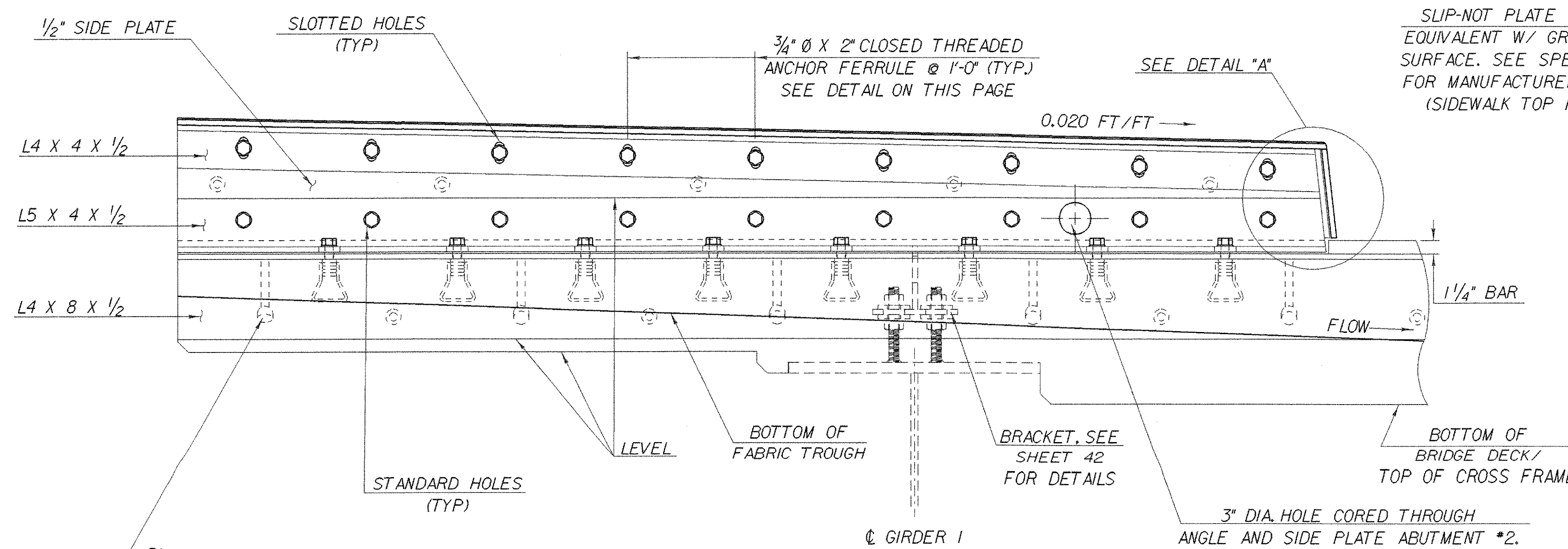
**SECTION B - B**

SCALE 3" = 1'-0"



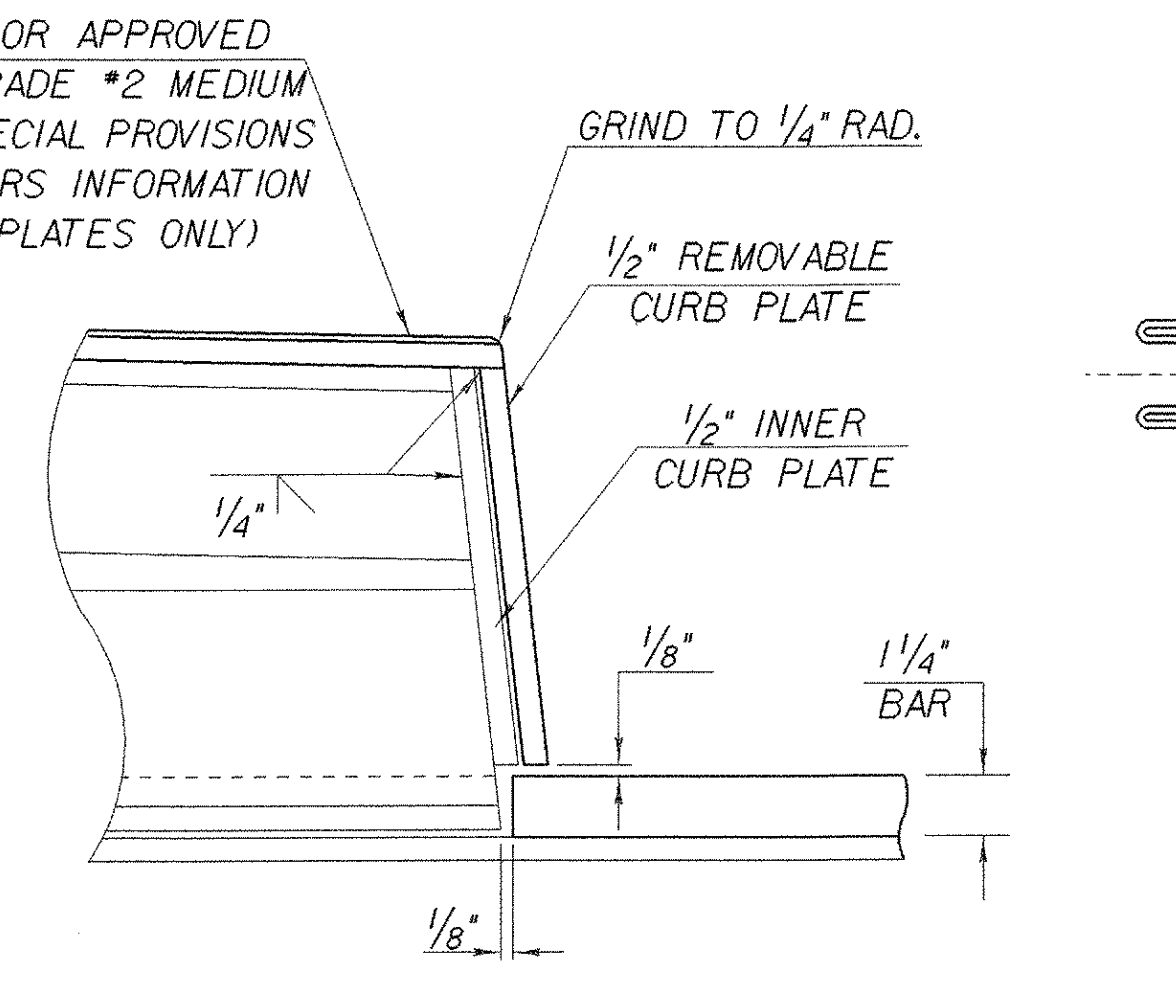
**NOTES:**

1. SEE SHEET 43 FOR LOCATION OF SECTIONS FOR DETAILS ON THIS SHEET.
2. ABUTMENT #2 SIDEWALK SIDE CURB PLATES ARE DETAILED ON THIS SHEET. ABUTMENT #1 AND CURB SIDE CURB PLATES ARE SIMILAR.
3. ABUTMENT #2 CURB PLATES MUST ACCOMMODATE 2" PVC CONDUIT THROUGH THE JOINT.



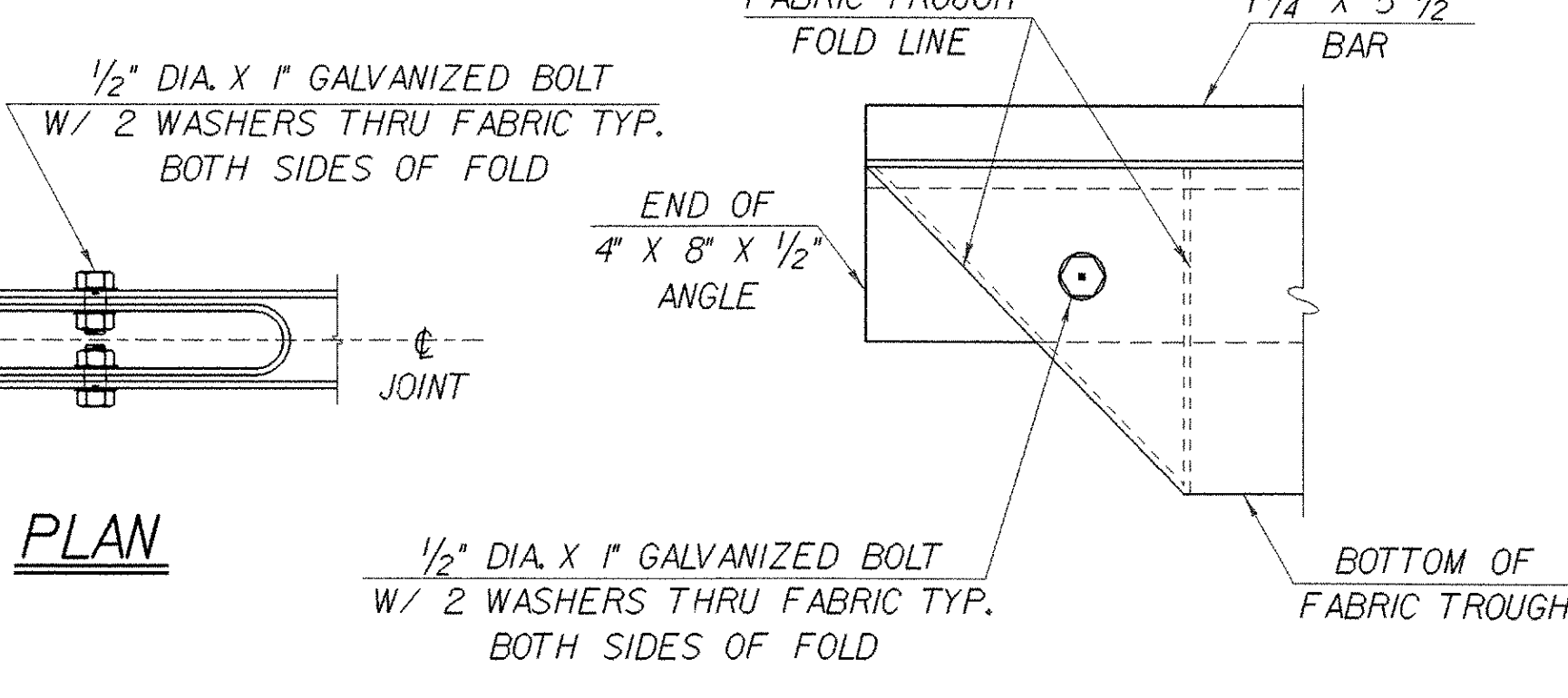
**SECTION C - C**

SCALE 1 1/2" = 1'-0"



**DETAIL "A"**

SCALE 3" = 1'-0"



**ELEVATION  
FOLDED TROUGH END DETAILS**

NOT TO SCALE

PROJECT NAME:	ROYALTON BRZ 1444 (22)
PROJECT NUMBER:	
FILE NAME:	89j099/structures/sj099joint.dgn
IPARM NAME:	sj099exp3.i
PROJECT LEADER:	C.P. WILLIAMS
DESIGNED BY:	W.B. SYMONDS
SIDEWALK & CURB PLATE DETAILS	
PLOT DATE:	25-SEP-2000
DRAWN BY:	K.M. HIGGINS
CHECKED BY:	W.B. SYMONDS
SHEET	44 OF 118