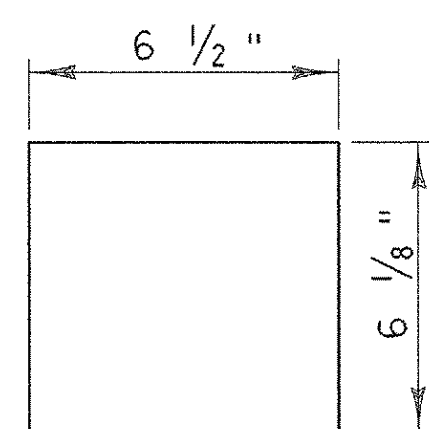
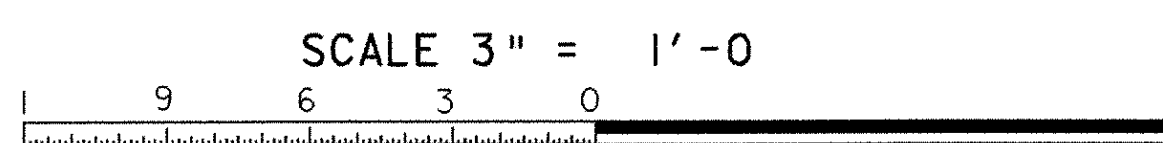
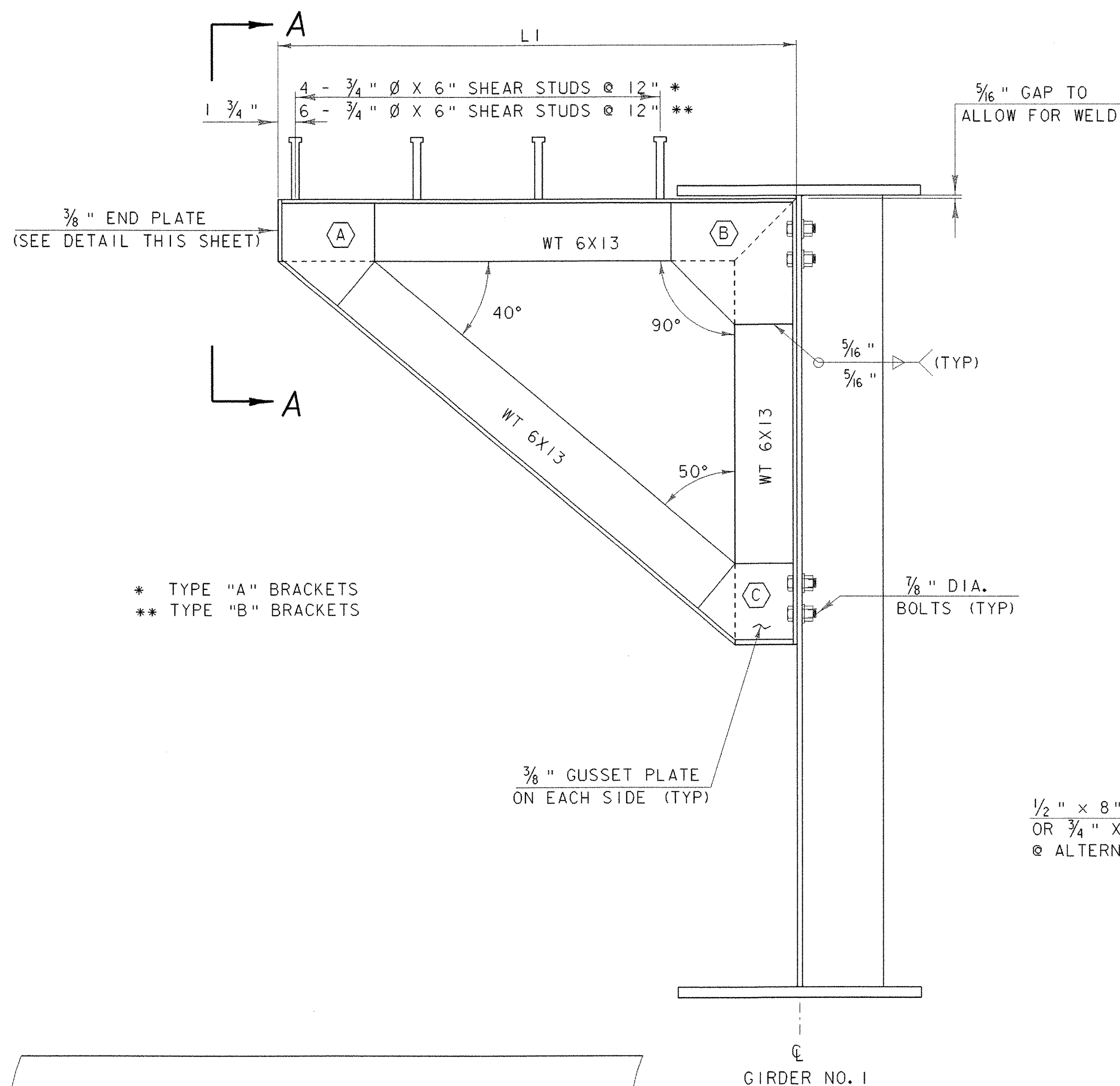
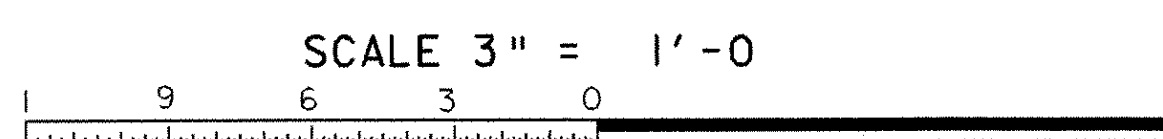


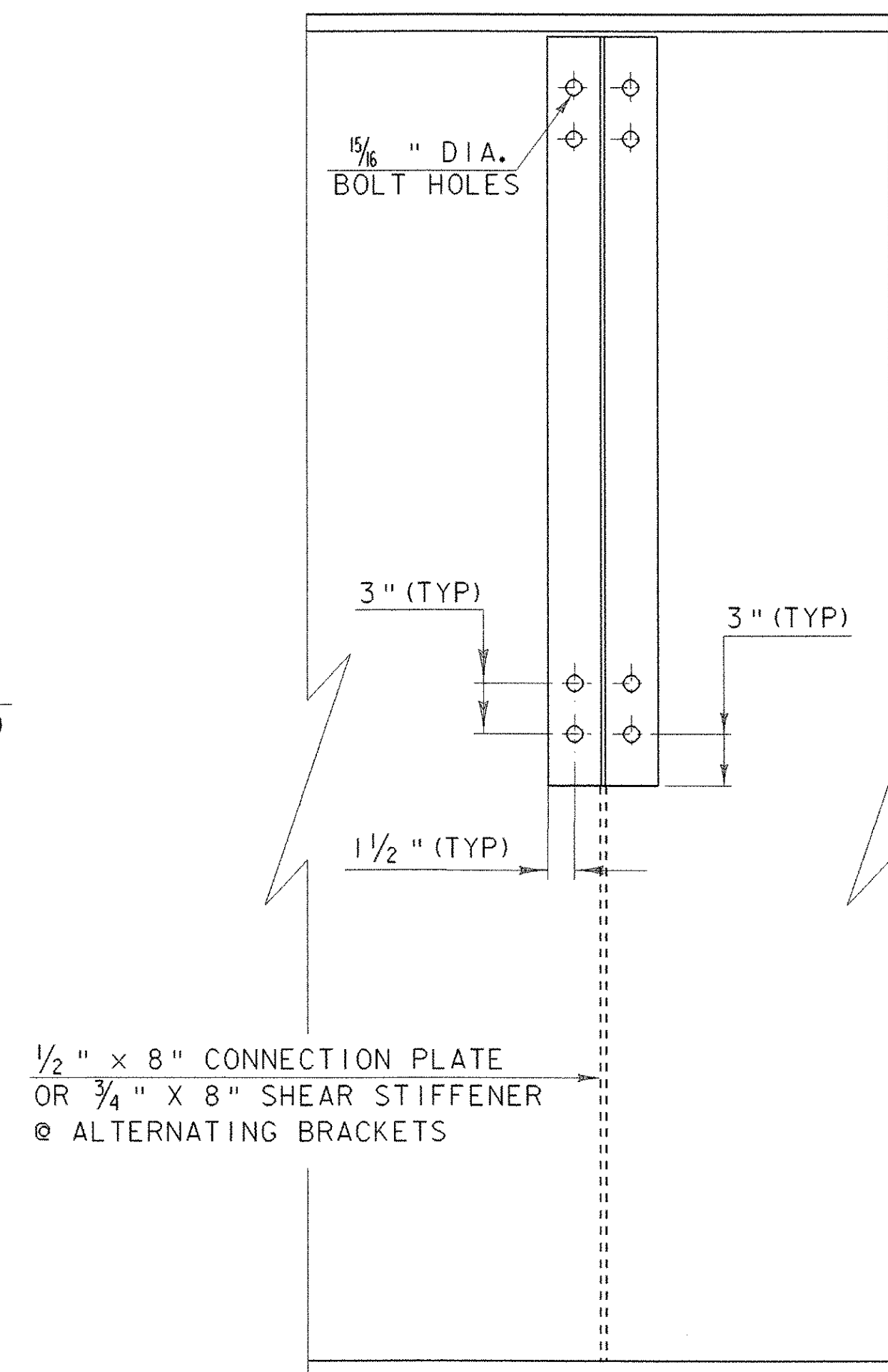
GUSSET PLATE DETAILS



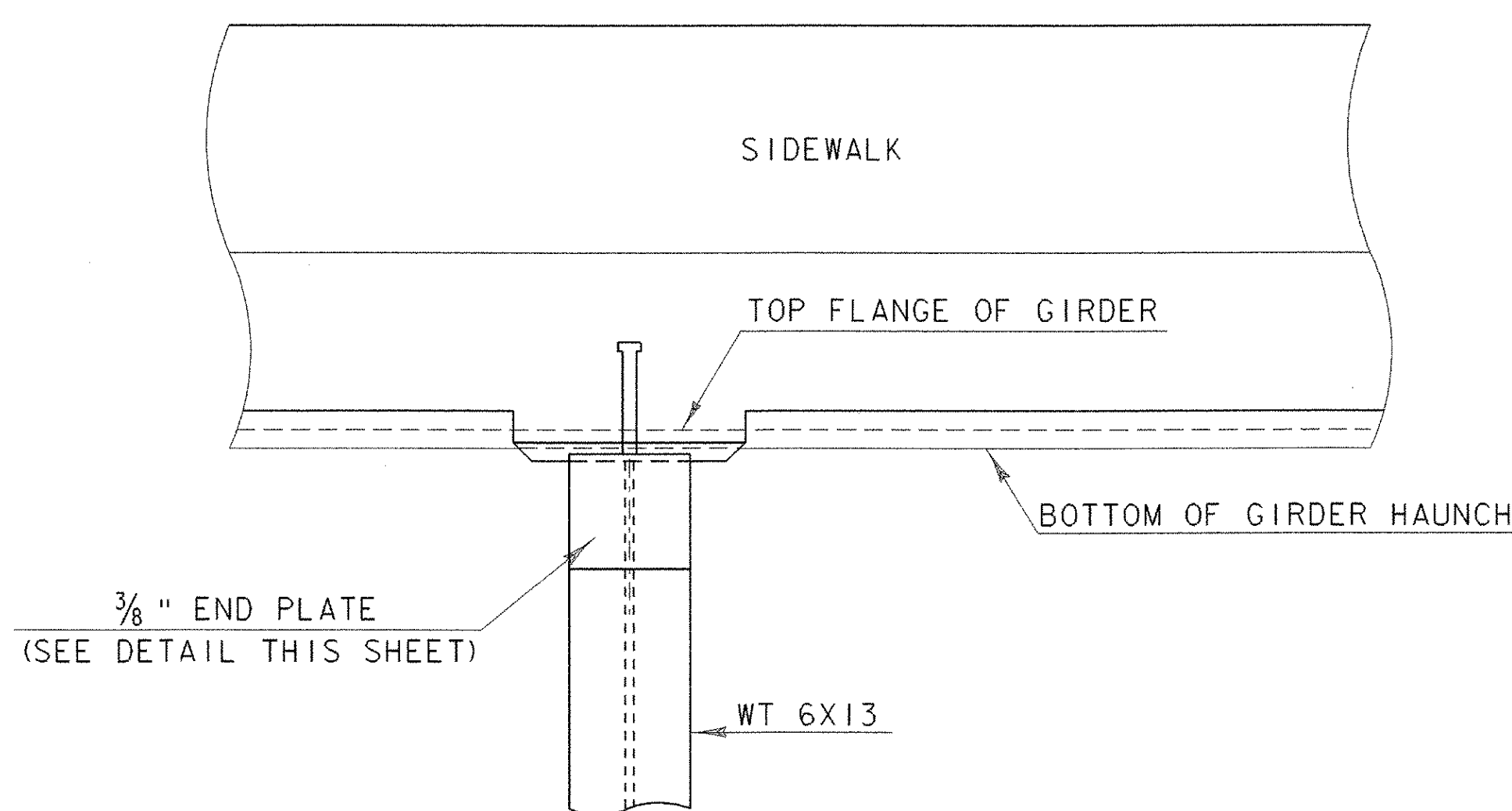
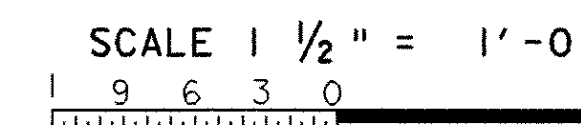
END PLATE DETAILS



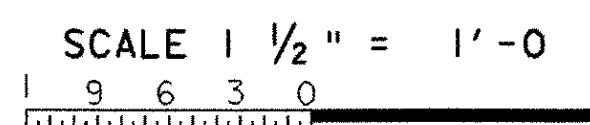
* TYPE "A" BRACKETS
 ** TYPE "B" BRACKETS



BRACKET DETAILS



SECTION A-A



WT 6 X 13 LENGTH SCHEDULE	
BRACKET TYPE	L1
"A" (4 REQUIRED)	6'-9"
"B" (26 REQUIRED)	4'-3"

PROJECT NAME: ROYALTON BRZ 1444 (22)
 PROJECT NUMBER:
 FILE NAME: 89j099/structures/sj099ssd.dgn PLOT DATE: 25-SEP-2000
 IPARM NAME: sj099bracket.i DRAWN BY: D.G. BASSETT
 PROJECT LEADER: C.P. WILLIAMS CHECKED BY: W.B. SYMONDS
 DESIGNED BY: R.S. YOUNG SHEET 37 OF 118
 BRACKET DETAILS